



- (51) International Patent Classification:
A61F 13/00 (2006.01) A61M 25/02 (2006.01)
- (21) International Application Number:
PCT/US2012/034218
- (22) International Filing Date:
19 April 2012 (19.04.2012)
- (25) Filing Language: English
- (26) Publication Language: English
- (30) Priority Data:
13/116,826 26 May 2011 (26.05.2011) US
- (71) Applicant (for all designated States except US): CARE-FUSION 2200, INC. [US/US]; 3750 Torrey View Court, San Diego, CA 92130 (US).

- (72) Inventors; and
- (75) Inventors/Applicants (for US only): LANDSMAN, Kelly [US/US]; 2869 South Superior Street, Milwaukee, WI 53207 (US). MASSI, Shayna [US/US]; 4503 North Rockwell, #1, Chicago, IL 60625 (US).
- (74) Agent: COPELAND, Trevor, K.; Brinks Hofer Gilson & Lione, P.o. Box 10087, Chicago, IL 60610 (US).
- (81) Designated States (unless otherwise indicated, for every kind of national protection available): AE, AG, AL, AM, AO, AT, AU, AZ, BA, BB, BG, BH, BR, BW, BY, BZ, CA, CH, CL, CN, CO, CR, CU, CZ, DE, DK, DM, DO, DZ, EC, EE, EG, ES, FI, GB, GD, GE, GH, GM, GT, HN, HR, HU, ID, IL, IN, IS, JP, KE, KG, KM, KN, KP, KR, KZ, LA, LC, LK, LR, LS, LT, LU, LY, MA, MD, ME, MG, MK, MN, MW, MX, MY, MZ, NA, NG, NI, NO, NZ,

[Continued on next page]

(54) Title: WOUND DRESSING SYSTEM

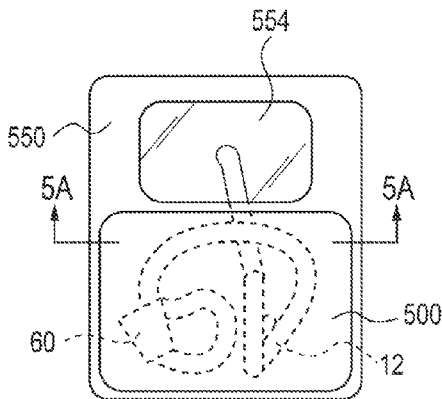


FIG. 5

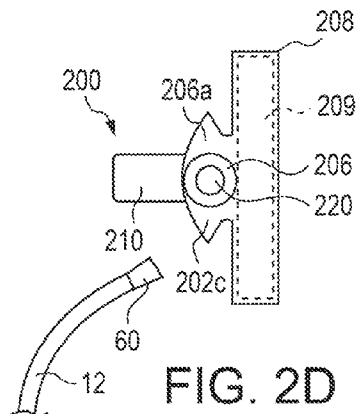


FIG. 2D

(57) Abstract: System and components for hygienic maintenance of a surgical wound configured for drainage of ascites from a body cavity. Different aspects of the system may include one or more of a wound dressing, a pocket for low-profile, hygienic, and aesthetic storage of a drainage catheter configured for attachment to a patient and/or wound dressing, and an apron device configured for installation and/or exchange of a wound dressing.



OM, PE, PG, PH, PL, PT, QA, RO, RS, RU, RW, SC, SD, SE, SG, SK, SL, SM, ST, SV, SY, TH, TJ, TM, TN, TR, TT, TZ, UA, UG, US, UZ, VC, VN, ZA, ZM, ZW.

(84) Designated States (unless otherwise indicated, for every kind of regional protection available): ARIPO (BW, GH, GM, KE, LR, LS, MW, MZ, NA, RW, SD, SL, SZ, TZ, UG, ZM, ZW), Eurasian (AM, AZ, BY, KG, KZ, MD, RU, TJ, TM), European (AL, AT, BE, BG, CH, CY, CZ, DE, DK, EE, ES, FI, FR, GB, GR, HR, HU, IE, IS, IT, LT, LU, LV, MC, MK, MT, NL, NO, PL, PT, RO, RS, SE, SI, SK, SM, TR), OAPI (BF, BJ, CF, CG, CI, CM, GA, GN, GQ, GW, ML, MR, NE, SN, TD, TG).

Published:

- with international search report (Art. 21(3))
- before the expiration of the time limit for amending the claims and to be republished in the event of receipt of amendments (Rule 48.2(h))

(88) Date of publication of the international search report:

14 March 2013

INTERNATIONAL SEARCH REPORT

International application No
PCT/US2012/034218

A. CLASSIFICATION OF SUBJECT MATTER
INV. A61F13/00 A61M25/02
ADD.
According to International Patent Classification (IPC) or to both national classification and IPC

B. FIELDS SEARCHED
Minimum documentation searched (classification system followed by classification symbols)
A61F A61M
Documentation searched other than minimum documentation to the extent that such documents are included in the fields searched

Electronic data base consulted during the international search (name of data base and, where practicable, search terms used)
EPO-Internal, WPI Data

C. DOCUMENTS CONSIDERED TO BE RELEVANT

Category*	Citation of document, with indication, where appropriate, of the relevant passages	Relevant to claim No.
X	WO 93/07843 A1 (GELAMBI PTY LTD [AU]) 29 April 1993 (1993-04-29) * figures; page 5, line 26 - page 6, line 8; page 6, lines 24-29, 34-35; page 7, lines 5-8, 27-31; page 8, line 4 - page 9, line 4 *	1,3-5,8, 12-15
X	US 4 973 314 A (GARRETT SUSAN [US]) 27 November 1990 (1990-11-27) * figures; abstract; summary of the invention; claim 1 * ----- -/--	1-8, 12-15

Further documents are listed in the continuation of Box C. See patent family annex.

* Special categories of cited documents :

"A" document defining the general state of the art which is not considered to be of particular relevance	"T" later document published after the international filing date or priority date and not in conflict with the application but cited to understand the principle or theory underlying the invention
"E" earlier application or patent but published on or after the international filing date	"X" document of particular relevance; the claimed invention cannot be considered novel or cannot be considered to involve an inventive step when the document is taken alone
"L" document which may throw doubts on priority claim(s) or which is cited to establish the publication date of another citation or other special reason (as specified)	"Y" document of particular relevance; the claimed invention cannot be considered to involve an inventive step when the document is combined with one or more other such documents, such combination being obvious to a person skilled in the art
"O" document referring to an oral disclosure, use, exhibition or other means	"&" document member of the same patent family
"P" document published prior to the international filing date but later than the priority date claimed	

Date of the actual completion of the international search 6 November 2012	Date of mailing of the international search report 16/01/2013
---	---

Name and mailing address of the ISA/ European Patent Office, P.B. 5818 Patentlaan 2 NL - 2280 HV Rijswijk Tel. (+31-70) 340-2040, Fax: (+31-70) 340-3016	Authorized officer Barenbrug, Theo
--	--

INTERNATIONAL SEARCH REPORT

International application No
PCT/US2012/034218

C(Continuation). DOCUMENTS CONSIDERED TO BE RELEVANT		
Category*	Citation of document, with indication, where appropriate, of the relevant passages	Relevant to claim No.
X	WO 2010/049417 A1 (EMODIAL S R L [IT]; PECORARI GIANNI [IT]) 6 May 2010 (2010-05-06) * figures; abstract; page 1, paragraph 2 from below; page 2, paragraph 2; page 3, paragraphs 3, 4, 6; page 4, paragraphs 3, 5, 6; page 6, last paragraph; page 7, paragraphs 1, 4; page 10, paragraphs 2, 4; claims 10, 11, 16 *	1-3,5-8, 12,15
Y	US 7 137 968 B1 (BURRELL ROBERT EDWARD [CA] ET AL) 21 November 2006 (2006-11-21) the whole document	1-8, 12-15
Y	US 2008/077064 A1 (BOCKOL JOSEPH [US] ET AL) 27 March 2008 (2008-03-27) the whole document	1-8, 12-15
A	EP 1 114 651 A1 (MARTINEZ PEREZ TERESA [ES]) 11 July 2001 (2001-07-11) the whole document	1
A	US 2005/211590 A1 (MCCLURE GEORGE K [CA] ET AL) 29 September 2005 (2005-09-29) the whole document	1-8, 12-15
A	US 4 666 432 A (MCNEISH KENNETH [US] ET AL) 19 May 1987 (1987-05-19) the whole document	1
A	US 2002/068903 A1 (BEAUSOLEIL ANNETTE A [CA] ET AL) 6 June 2002 (2002-06-06) the whole document	1

INTERNATIONAL SEARCH REPORT

International application No.
PCT/US2012/034218

Box No. II Observations where certain claims were found unsearchable (Continuation of item 2 of first sheet)

This international search report has not been established in respect of certain claims under Article 17(2)(a) for the following reasons:

1. Claims Nos.: **9-11**
because they relate to subject matter not required to be searched by this Authority, namely:
see FURTHER INFORMATION sheet PCT/ISA/210

2. Claims Nos.:
because they relate to parts of the international application that do not comply with the prescribed requirements to such an extent that no meaningful international search can be carried out, specifically:

3. Claims Nos.:
because they are dependent claims and are not drafted in accordance with the second and third sentences of Rule 6.4(a).

Box No. III Observations where unity of invention is lacking (Continuation of item 3 of first sheet)

This International Searching Authority found multiple inventions in this international application, as follows:

see additional sheet

1. As all required additional search fees were timely paid by the applicant, this international search report covers all searchable claims.

2. As all searchable claims could be searched without effort justifying an additional fees, this Authority did not invite payment of additional fees.

3. As only some of the required additional search fees were timely paid by the applicant, this international search report covers only those claims for which fees were paid, specifically claims Nos.:

4. No required additional search fees were timely paid by the applicant. Consequently, this international search report is restricted to the invention first mentioned in the claims; it is covered by claims Nos.:
1-8, 12-15

Remark on Protest

- The additional search fees were accompanied by the applicant's protest and, where applicable, the payment of a protest fee.
- The additional search fees were accompanied by the applicant's protest but the applicable protest fee was not paid within the time limit specified in the invitation.
- No protest accompanied the payment of additional search fees.

FURTHER INFORMATION CONTINUED FROM PCT/ISA/ 210

This International Searching Authority found multiple (groups of) inventions in this international application, as follows:

1. claims: 1-8, 12-15

A wound dressing for a surgical wound, comprising an adhesive patch having an aperture for a catheter, a sealing, and a pocket member having a compartment to contain and conceal a catheter length.

2. claim: 16

A catheter comprising a proximal portion, the proximal portion comprising indicia designating an area to be grasped by a user.

3. claims: 17-20

An apron system for hygienic installation of any wound dressing, comprising front and rear walls defining an inner compartment, an aperture in the rear wall providing access to the compartment, the aperture having a border to be attached to the patient, and a glove member, integral with the front wall, configured for manipulation of items in the compartment.

FURTHER INFORMATION CONTINUED FROM PCT/ISA/ 210

Continuation of Box II.1

Claims Nos.: 9-11

Claims 9-11 refer to a "wound monitoring guide", which comprises images of wounds which the user should compare to the actual wound, to be able to draw a conclusion on whether the dressing should be (almost) changed for a fresh one or not. This feature concerns the presentation of information, which is non-patentable subject matter (Rule 39.1(v) PCT - Presentation of information).

INTERNATIONAL SEARCH REPORT

Information on patent family members

International application No PCT/US2012/034218

Patent document cited in search report	Publication date	Patent family member(s)	Publication date
WO 9307843	A1	29-04-1993	NONE

US 4973314	A	27-11-1990	NONE

WO 2010049417	A1	06-05-2010	CA 2741926 A1 06-05-2010 WO 2010049417 A1 06-05-2010

US 7137968	B1	21-11-2006	AT 347394 T 15-12-2006 AU 3906901 A 24-09-2001 AU 2001239069 B2 18-11-2004 CA 2399765 A1 20-09-2001 DE 60125024 T2 28-06-2007 EP 1263493 A1 11-12-2002 JP 2003526482 A 09-09-2003 US 7137968 B1 21-11-2006 US 2007010778 A1 11-01-2007 WO 0168179 A1 20-09-2001

US 2008077064	A1	27-03-2008	US 2008077064 A1 27-03-2008 WO 2008039638 A2 03-04-2008

EP 1114651	A1	11-07-2001	EP 1114651 A1 11-07-2001 ES 1043707 U 01-01-2000 WO 0105461 A1 25-01-2001

US 2005211590	A1	29-09-2005	CA 2498791 A1 26-09-2005 US 2005211590 A1 29-09-2005

US 4666432	A	19-05-1987	NONE

US 2002068903	A1	06-06-2002	NONE
