



US00D817934S

(12) **United States Design Patent**
Katopis

(10) **Patent No.:** **US D817,934 S**

(45) **Date of Patent:** **** May 15, 2018**

(54) **KNOT-STYLED EARBUD**

(71) Applicant: **Chris J Katopis**, Washington, DC (US)

(72) Inventor: **Chris J Katopis**, Washington, DC (US)

(**) Term: **15 Years**

(21) Appl. No.: **29/597,449**

(22) Filed: **Mar. 17, 2017**

(51) **LOC (11) Cl.** **14-01**

(52) **U.S. Cl.**
USPC **D14/223**

(58) **Field of Classification Search**

USPC D14/223; D11/77, 79, 222, 207, 7, 8, 47,
D11/713, 707, 184, 131, 48, 26; 63/20.1,
63/17, 38; 87/8; 428/4, 8; D30/160;
D21/301, 753, 754, 759; D12/162, 168,
D12/197; 150/166; 181/129, 130, 135;
379/430, 431; 455/90.3, 575.1, 569.1;
381/380, 381, 322; D3/18, 23, 208
CPC H04R 1/10; H04R 25/00; H04R 25/02;
H04R 1/1091

See application file for complete search history.

(56) **References Cited**

U.S. PATENT DOCUMENTS

1,327,925 A * 1/1920 Schneider F16G 13/00
24/116 A
1,524,671 A * 2/1925 Nyman B66C 1/125
87/8
1,525,005 A * 2/1925 Sherman A44C 5/00
235/123
1,793,405 A * 2/1931 Jurkovich A47G 25/50
24/706.1
2,299,568 A * 10/1942 Dickey B66C 1/12
294/74
D137,091 S * 1/1944 Smith D24/106

(Continued)

OTHER PUBLICATIONS

Brooks Brother Knot Cufflinks [online][retireved Mar. 16, 2017]Retrieved from the Internet <URL: http://www.brooksbrothers.com/Knot-Cuff-Links/804c.default.pd.html>.

(Continued)

Primary Examiner — Paula Allen Greene

(74) *Attorney, Agent, or Firm* — Chris J. Katopis

(57) **CLAIM**

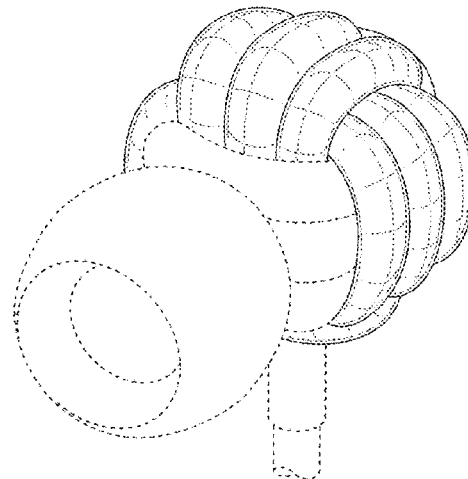
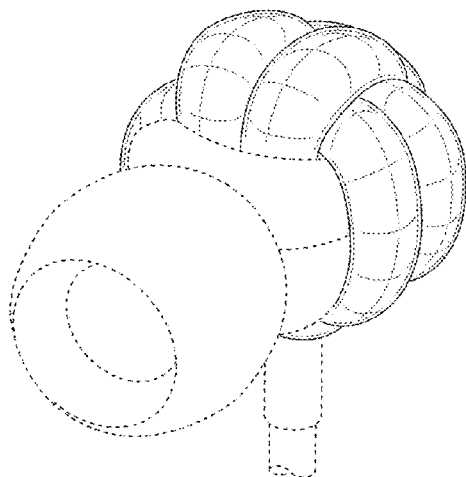
The ornamental design for a knot-styled earbud, as shown and described.

DESCRIPTION

FIG. 1 is a rear perspective view of a first embodiment of a knot-styled earbud, showing the new design;
FIG. 2 is a rear view thereof;
FIG. 3 is a front view thereof;
FIG. 4 is a side view thereof;
FIG. 5 is the opposite side view thereof;
FIG. 6 is a top view thereof;
FIG. 7 is a bottom view thereof;
FIG. 8 is a rear perspective view of a second embodiment of an earbud, showing the new design;
FIG. 9 is a rear view thereof;
FIG. 10 is a front view thereof;
FIG. 11 is a side view thereof;
FIG. 12 is the opposite side view thereof;
FIG. 13 is a top view thereof;
FIG. 14 is a bottom view thereof;
FIG. 15 is a rear perspective view of a third embodiment of an earbud, showing the new design;
FIG. 16 is a rear view thereof;
FIG. 17 is a front view thereof;
FIG. 18 is a side view thereof;
FIG. 19 is the opposite side view thereof;
FIG. 20 is a top view thereof; and,
FIG. 21 is a bottom view thereof.

In all figures, the broken lines form no part of the claimed design.

1 Claim, 21 Drawing Sheets



(56)

References Cited

U.S. PATENT DOCUMENTS

- D138,881 S * 9/1944 Drell D11/222
D150,446 S * 8/1948 Philippe D11/77
2,486,534 A * 11/1949 Medlin H04R 25/65
381/322
2,595,672 A * 5/1952 Greenwood H04R 25/65
24/113 MP
D176,202 S * 11/1955 Katz D11/75
2,799,133 A * 7/1957 Rose D07B 1/18
28/247
2,804,932 A * 9/1957 Bedard H04R 25/652
181/132
3,260,537 A * 7/1966 Kelley B60D 1/60
172/508
3,722,070 A * 3/1973 Shiner A63H 9/00
29/433
4,637,941 A * 1/1987 Rochte A63H 33/40
156/143
4,672,672 A * 6/1987 Eggert H04R 25/60
381/321
4,736,430 A * 4/1988 Schroder H04R 25/656
381/322
D326,434 S * 5/1992 Levy D11/222
D334,906 S * 4/1993 Sprick D11/202
D336,880 S * 6/1993 Drummond D12/162
D446,161 S 8/2001 Gordon
D462,833 S * 9/2002 Dorris D11/221
D463,789 S 10/2002 DeKalb et al.
D463,790 S 10/2002 Beraut et al.
D467,907 S 12/2002 Marion et al.
D482,348 S 11/2003 Villaverde et al.
D487,077 S * 2/2004 Obata D14/223
6,738,487 B1 * 5/2004 Nageno H04R 1/1016
381/322
D510,337 S 10/2005 Tages
D512,982 S * 12/2005 Rodarte D14/205
7,281,062 B1 * 10/2007 Kuik G06F 13/385
370/395.52
D562,808 S 2/2008 Gwee
D572,241 S 7/2008 Gwee
D583,113 S * 12/2008 Simon D30/160
D585,429 S 1/2009 Dean
D591,721 S * 5/2009 Densho D14/205
D591,722 S * 5/2009 Densho D14/205
D591,732 S 5/2009 Burton
D593,075 S 5/2009 Williams et al.
D601,134 S 9/2009 Elabidi et al.
D601,913 S 10/2009 Cappellieri
D602,905 S * 10/2009 Morisawa D14/205
D610,948 S * 3/2010 Papadimitriou D11/222
D617,316 S 6/2010 Elabidi et al.
D618,209 S * 6/2010 Andre D14/205
D618,210 S * 6/2010 Andre D14/205
D619,566 S 7/2010 Yu
D621,389 S * 8/2010 Nagayama D14/223
D641,010 S 7/2011 Kwon
D643,415 S 8/2011 Vasquez
D647,081 S 10/2011 Kwon
D653,235 S 1/2012 McManigal
D656,481 S 3/2012 McManigal
D658,157 S 4/2012 McManigal
D660,291 S 5/2012 Thomas et al.
D666,169 S 8/2012 Tucker et al.
D666,996 S 9/2012 Hardi et al.
D687,418 S 8/2013 Godfrey
D700,905 S 3/2014 Pavitsich
D707,201 S 6/2014 Arjomand
D711,356 S * 8/2014 Yang D14/223
D712,874 S 9/2014 Gauger, Jr. et al.
D715,272 S 10/2014 Burton
D716,771 S 11/2014 Burgett et al.
D717,274 S 11/2014 Burgett et al.
D724,476 S 3/2015 Sandberg
D729,764 S 5/2015 Arjomand
D741,027 S * 10/2015 Byrne D30/160
D745,863 S 12/2015 Hardi
D752,542 S 3/2016 Lamar
D770,426 S 11/2016 LaBerge et al.
D773,440 S 12/2016 Pedersen
D773,441 S 12/2016 Pedersen
D774,021 S 12/2016 Pedersen
2005/0244026 A1 * 11/2005 Nielsen H04R 25/652
381/380

OTHER PUBLICATIONS

- Love Knot Earrings [online][retrieved Mar. 16, 2017] Retrieved from the Internet <URL:http://www.tiffany.com/collections/jean-schlumberger-love-knot-earrings-10906636?fromGrid=1&>
Foxy Crocheted Headphones [online] [retrieved Mar. 16, 2017] Retrieved from the Internet <URL: https://www.etsy.com/listing81602760/foxy-crocheted-headphones?ga_order=most_relevant.>

* cited by examiner

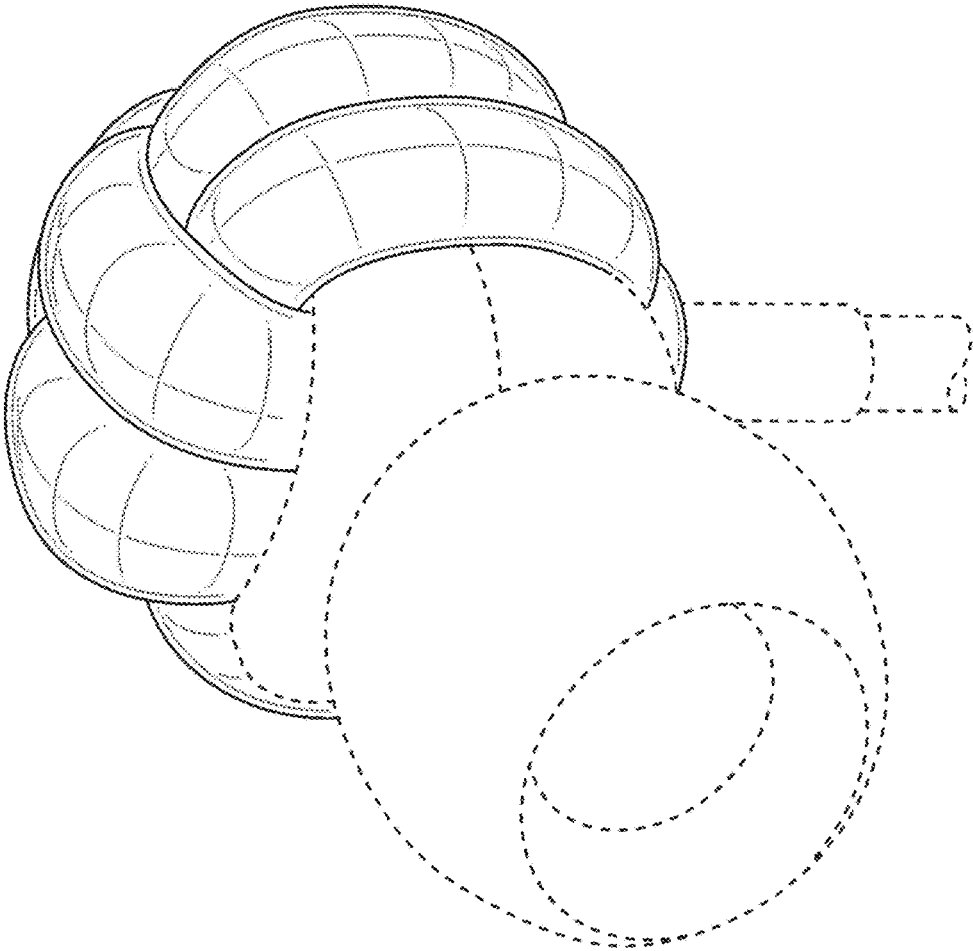


FIG. 1

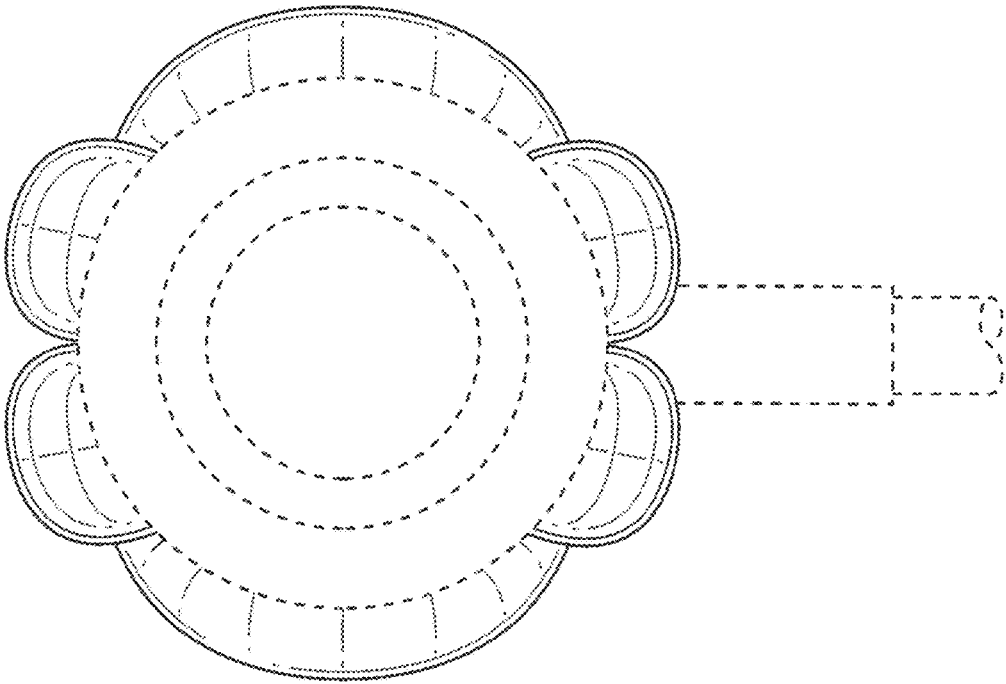


FIG. 2

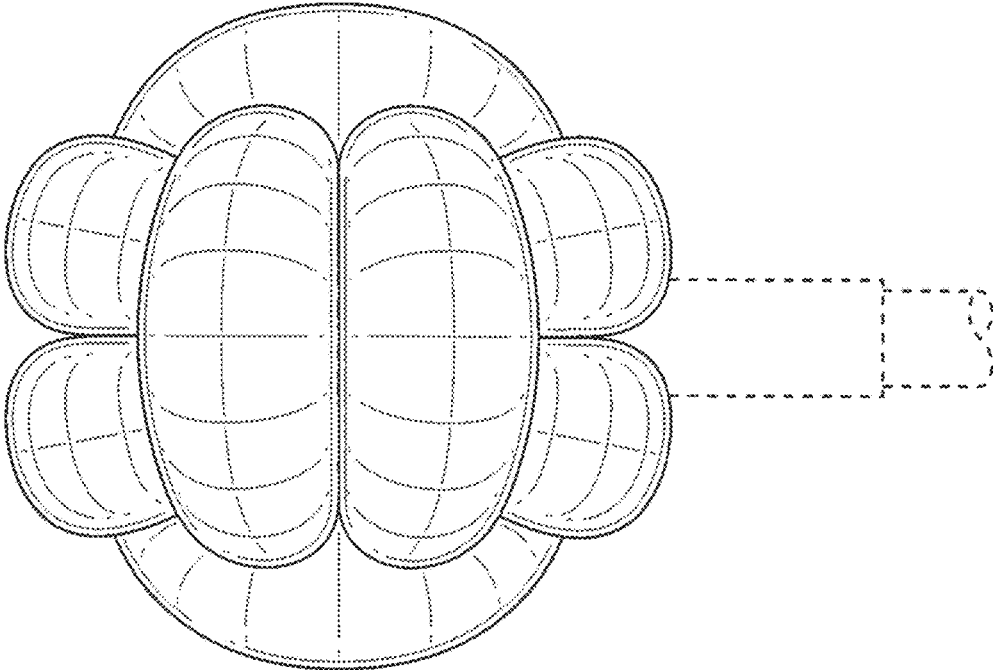


FIG. 3

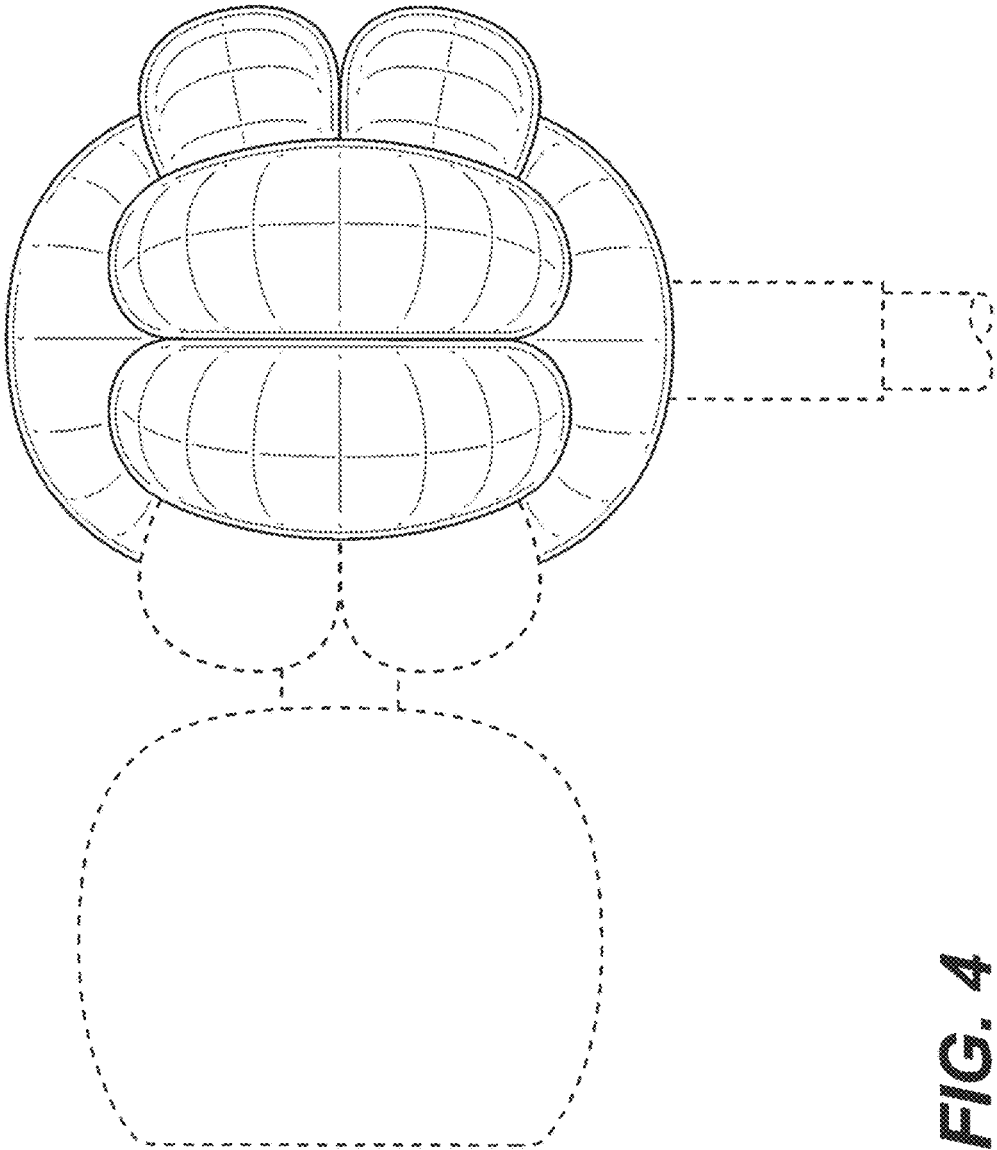


FIG. 4

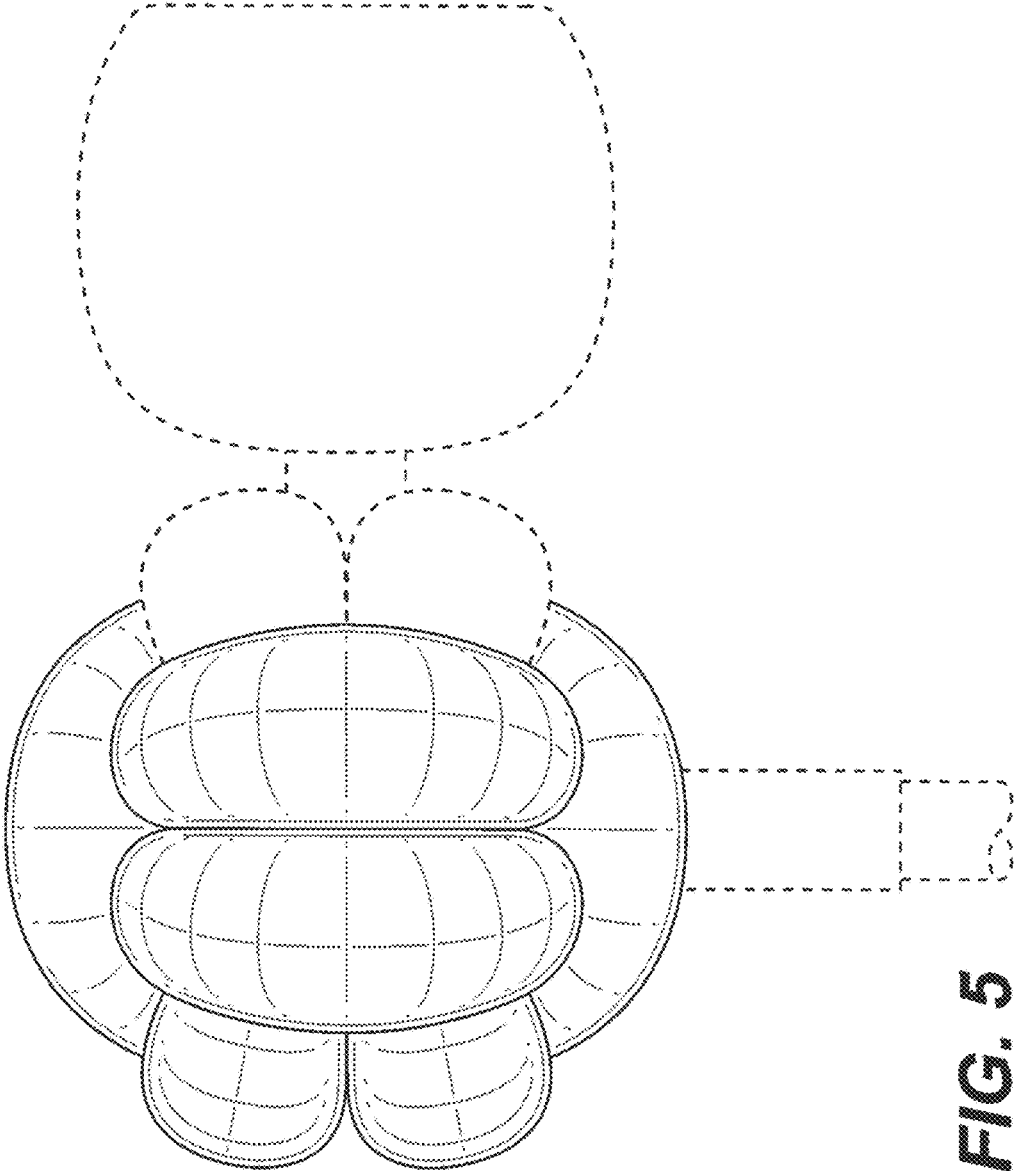


FIG. 5

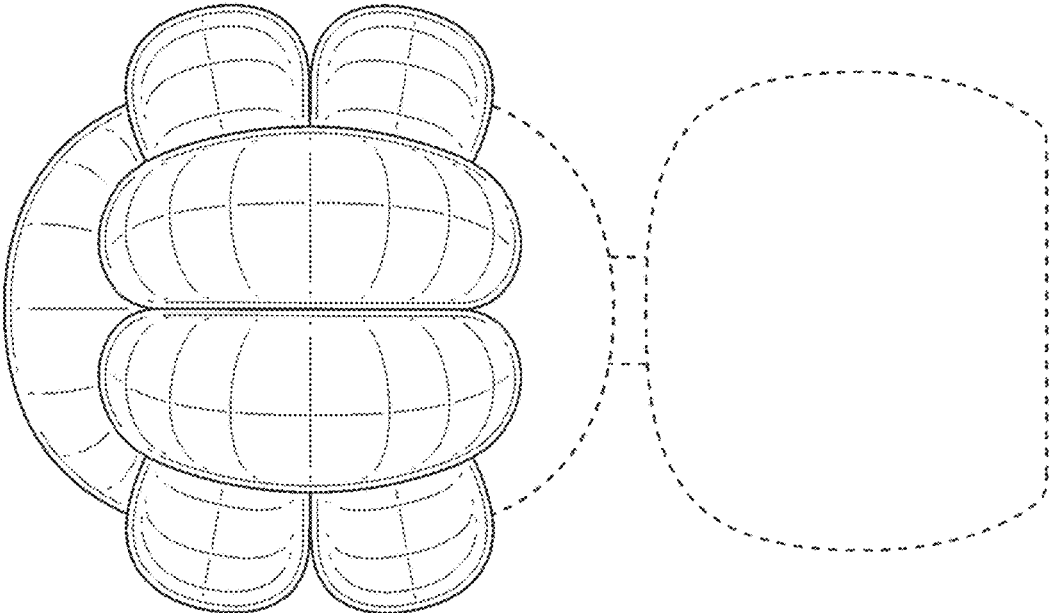


FIG. 6

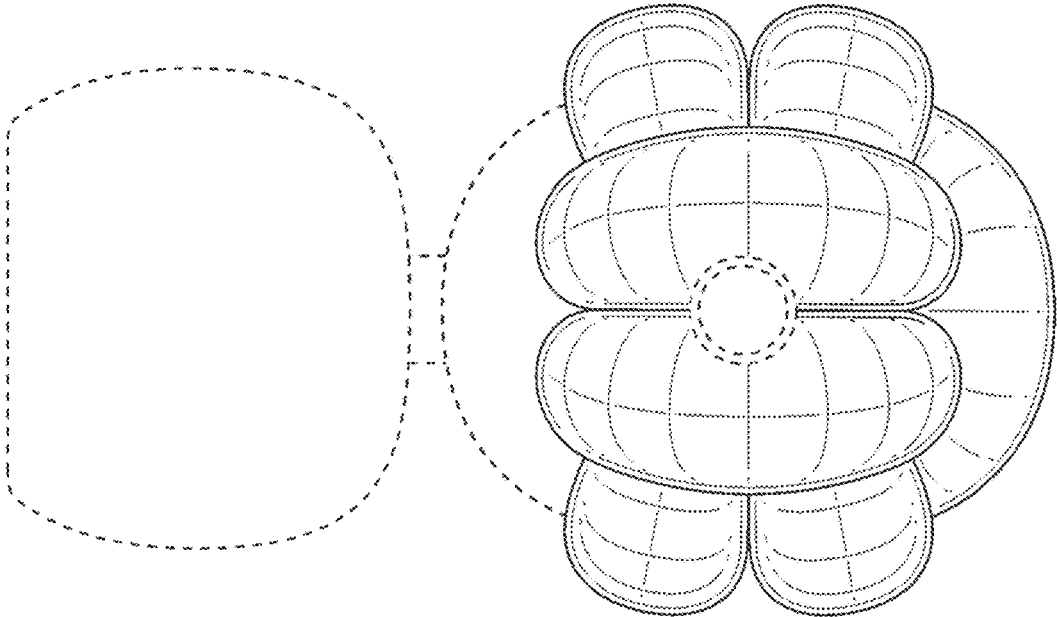


FIG. 7

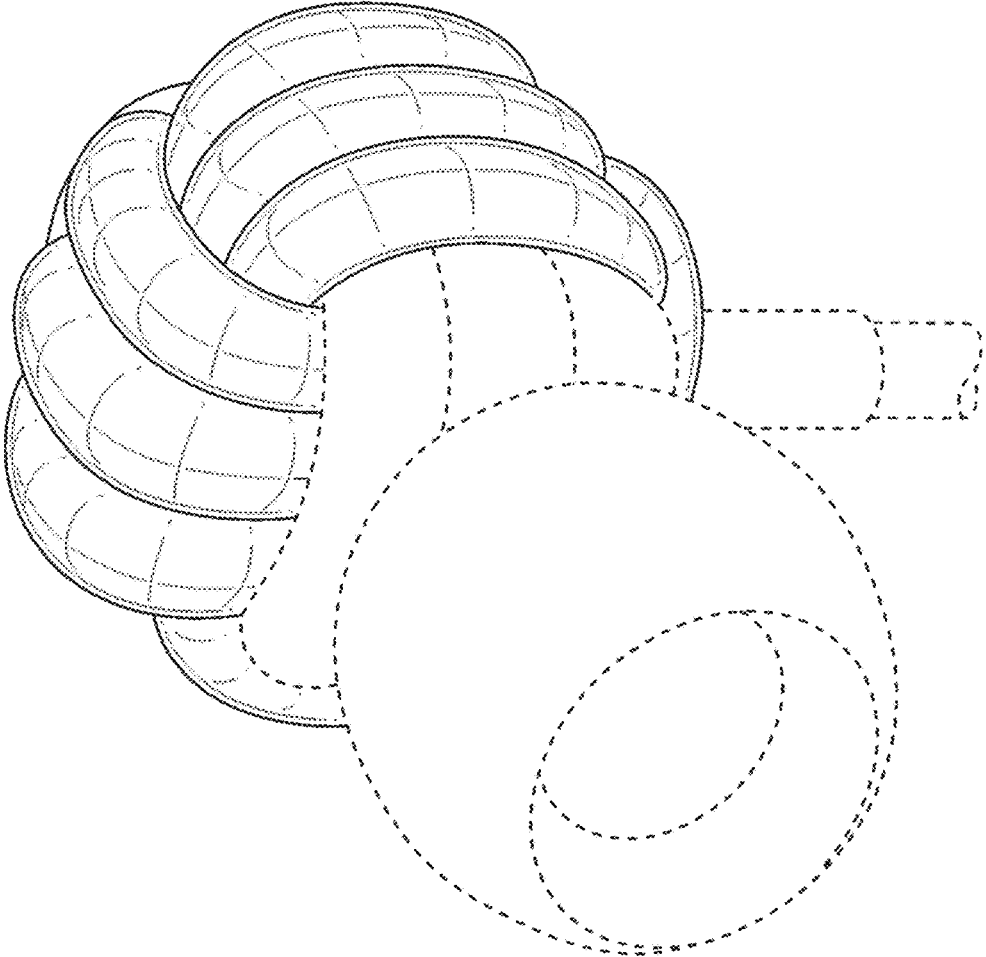


FIG. 8

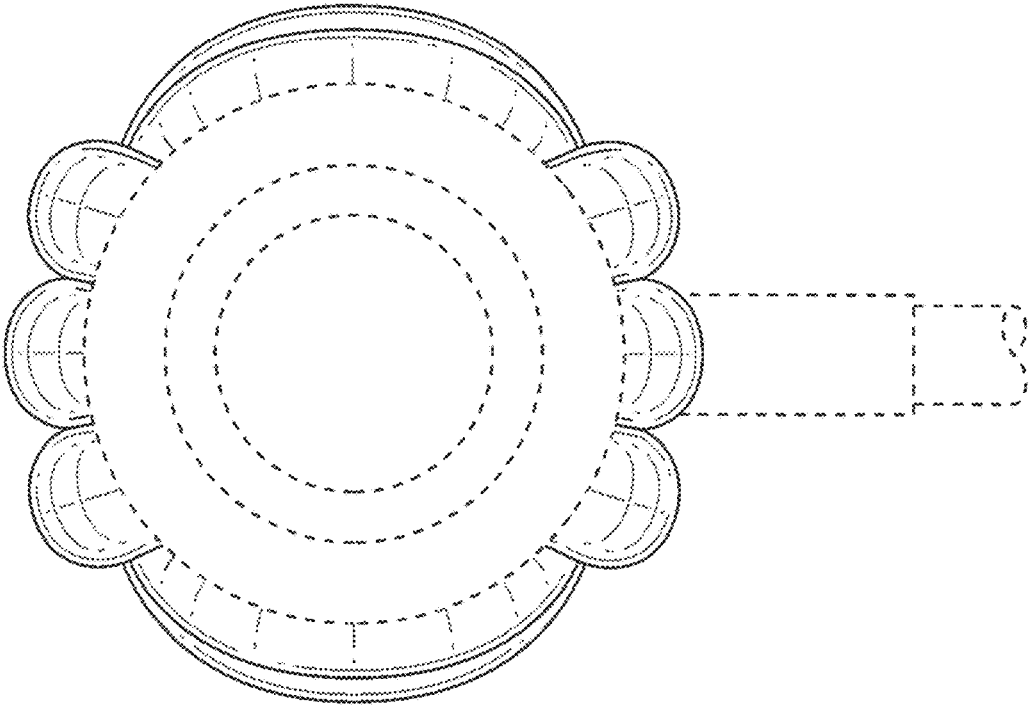


FIG. 9

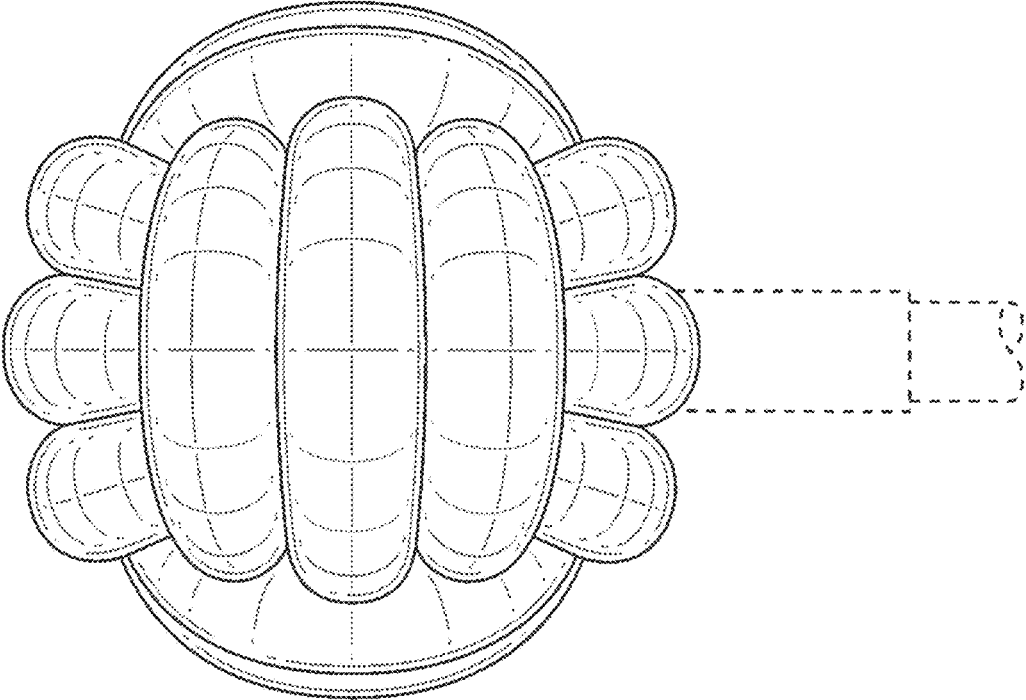


FIG. 10

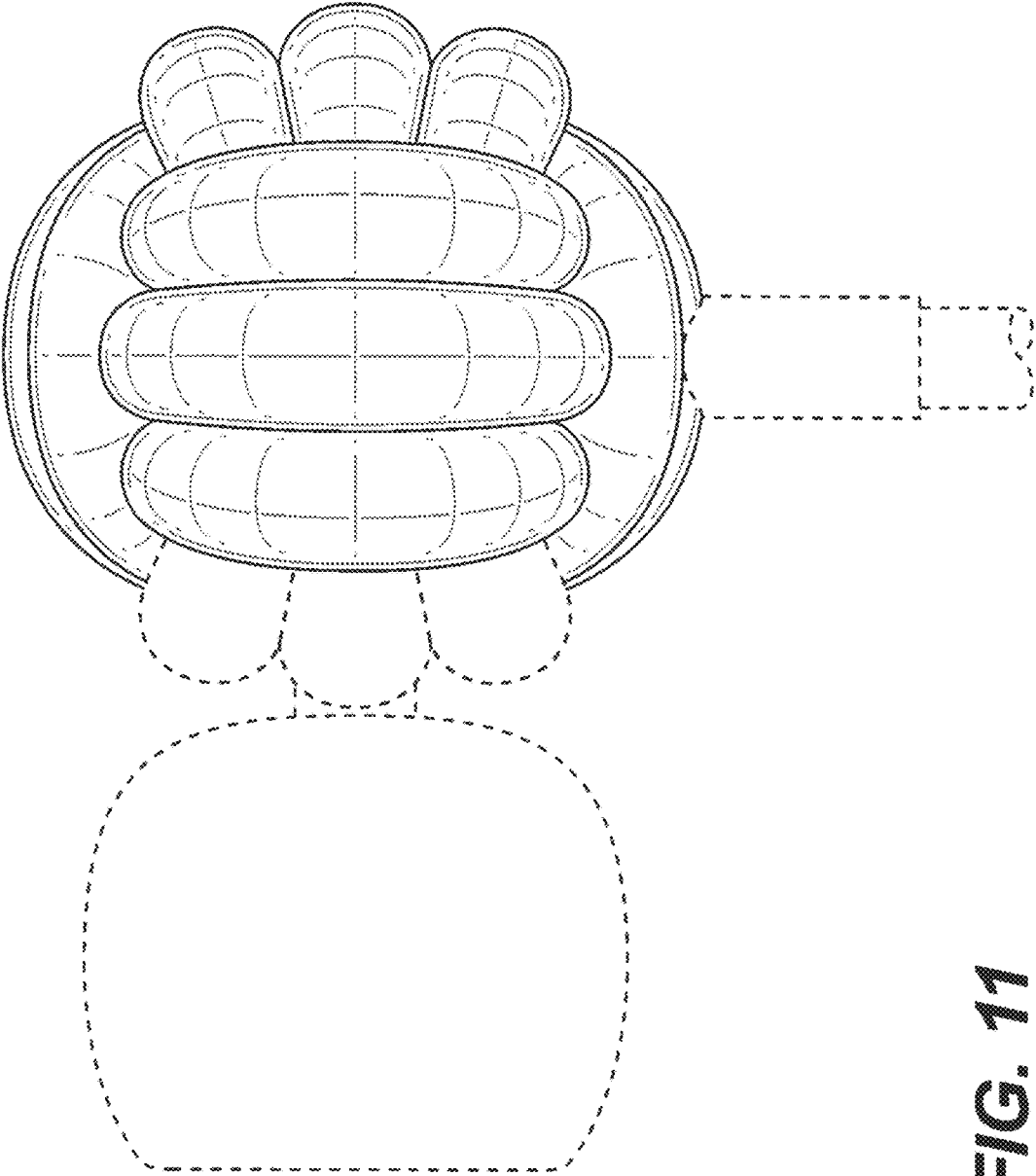


FIG. 11

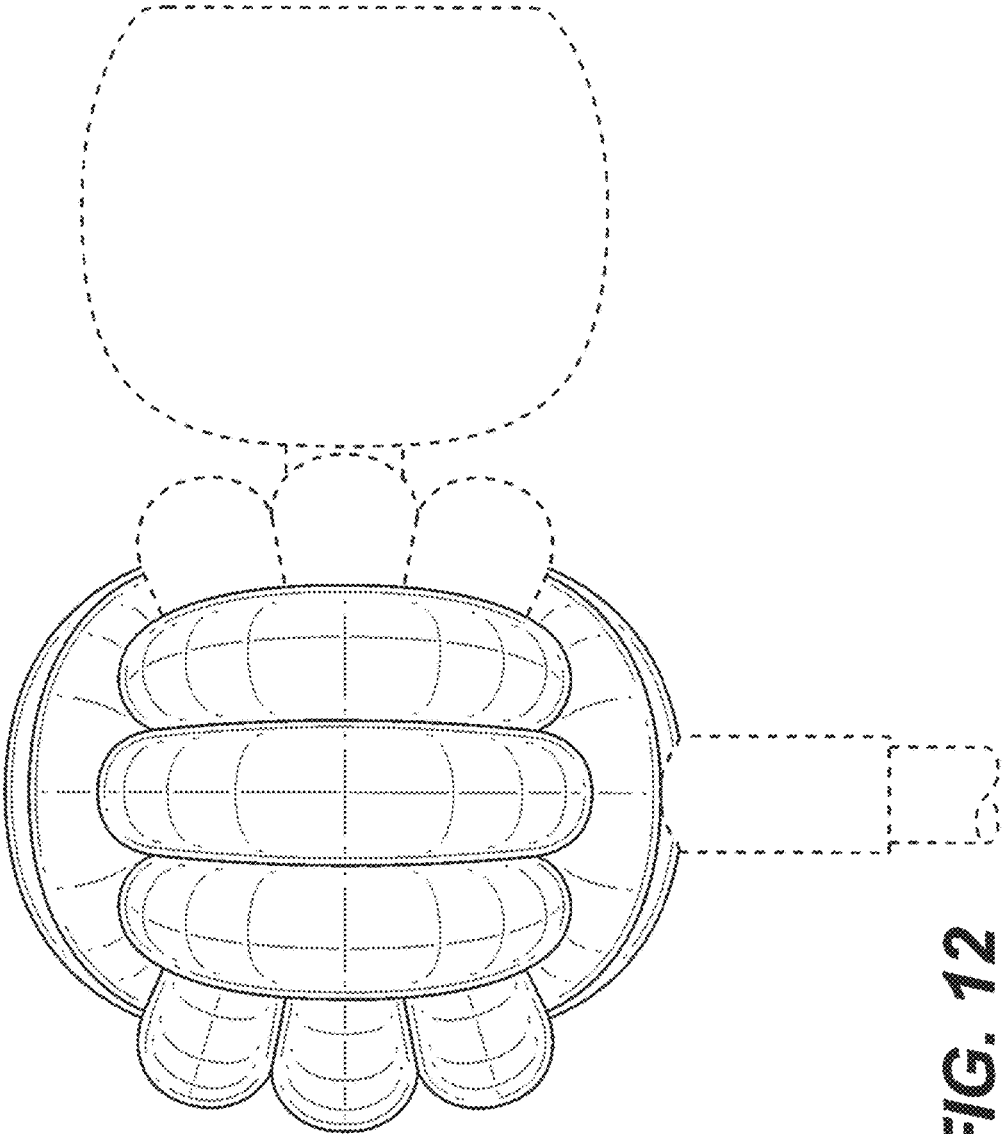


FIG. 12

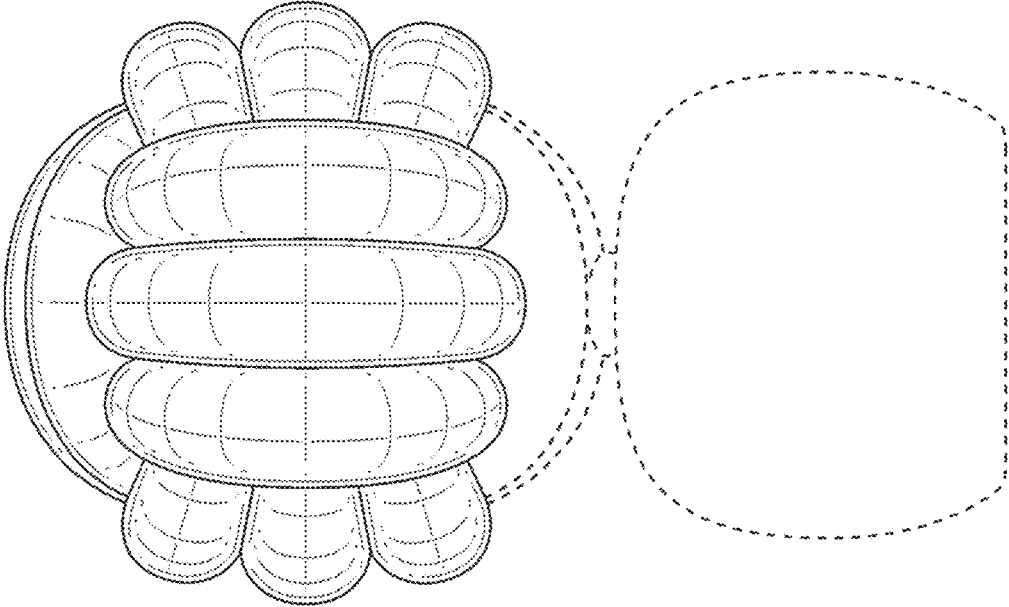


FIG. 13

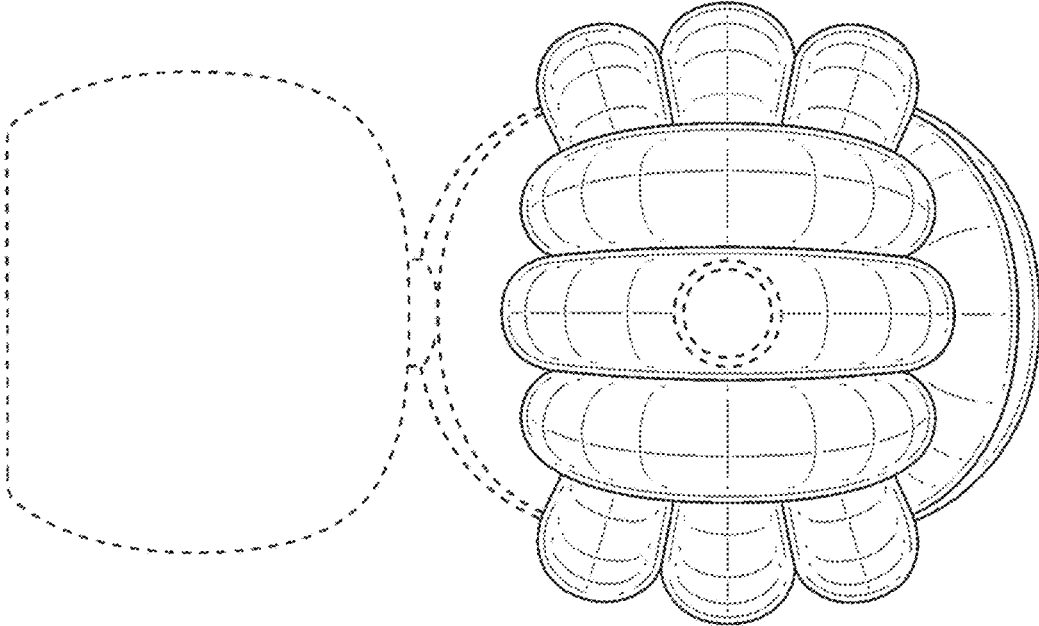


FIG. 14

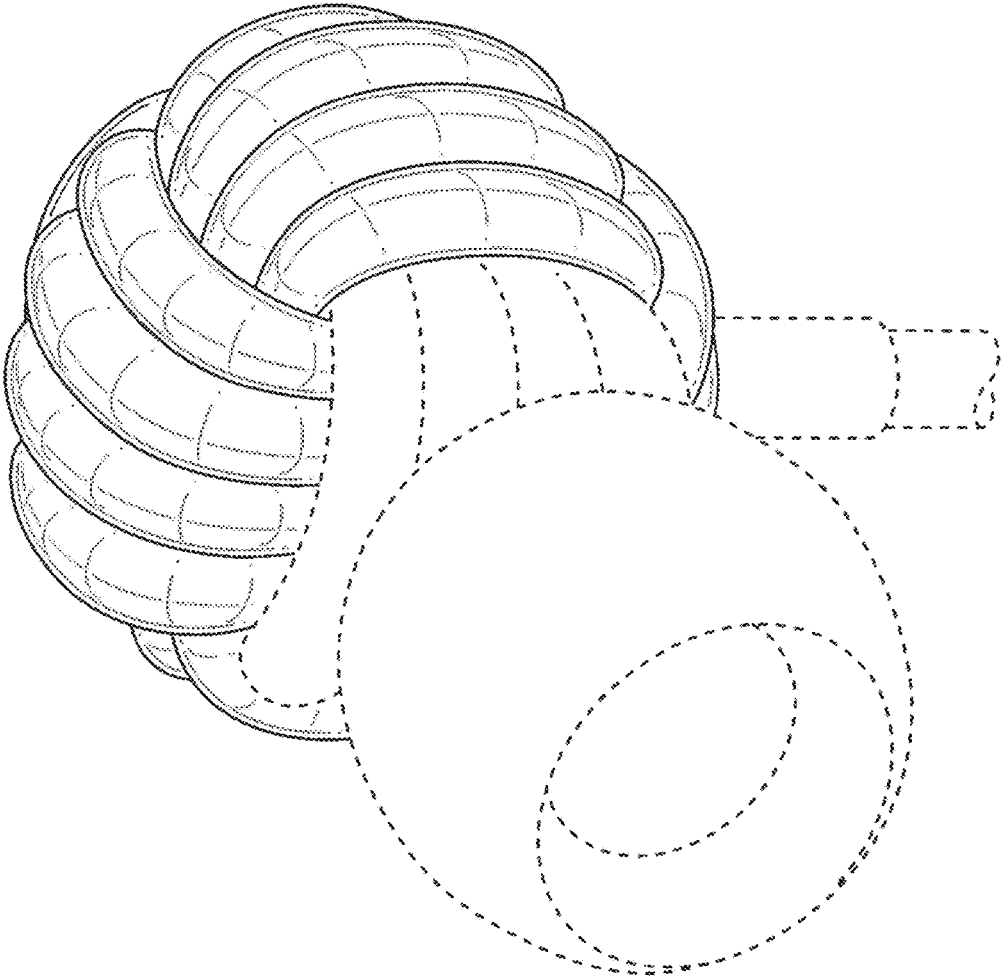


FIG. 15

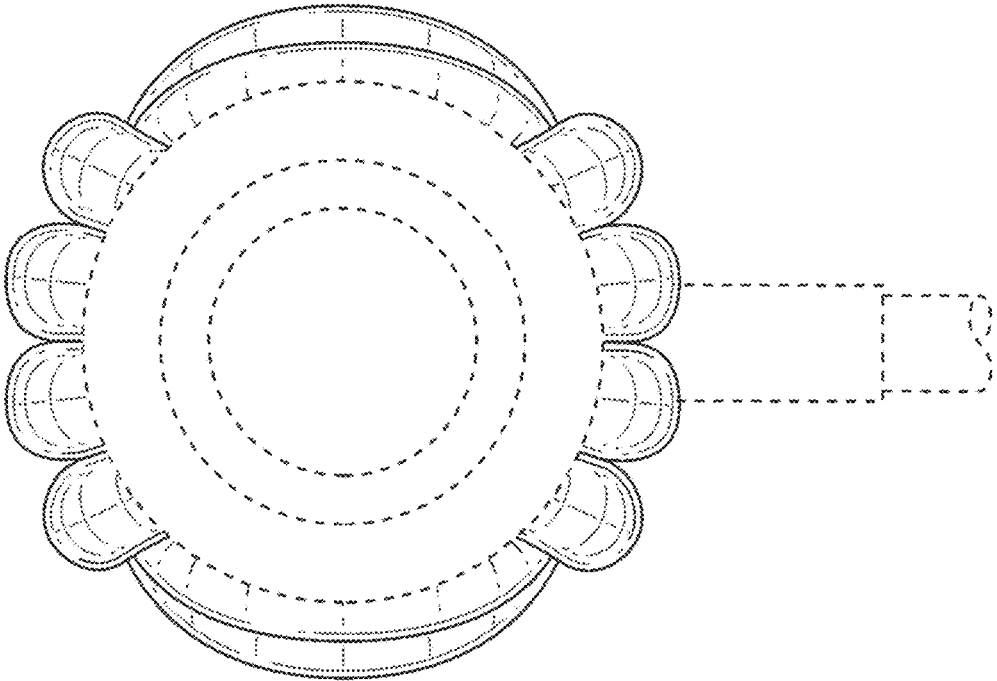


FIG. 16

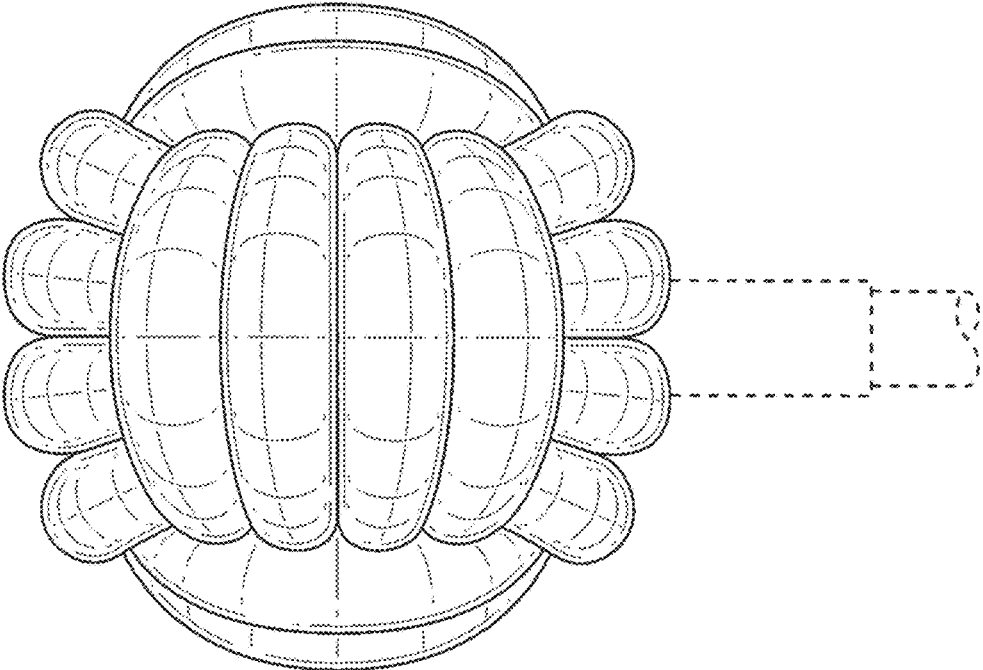


FIG. 17

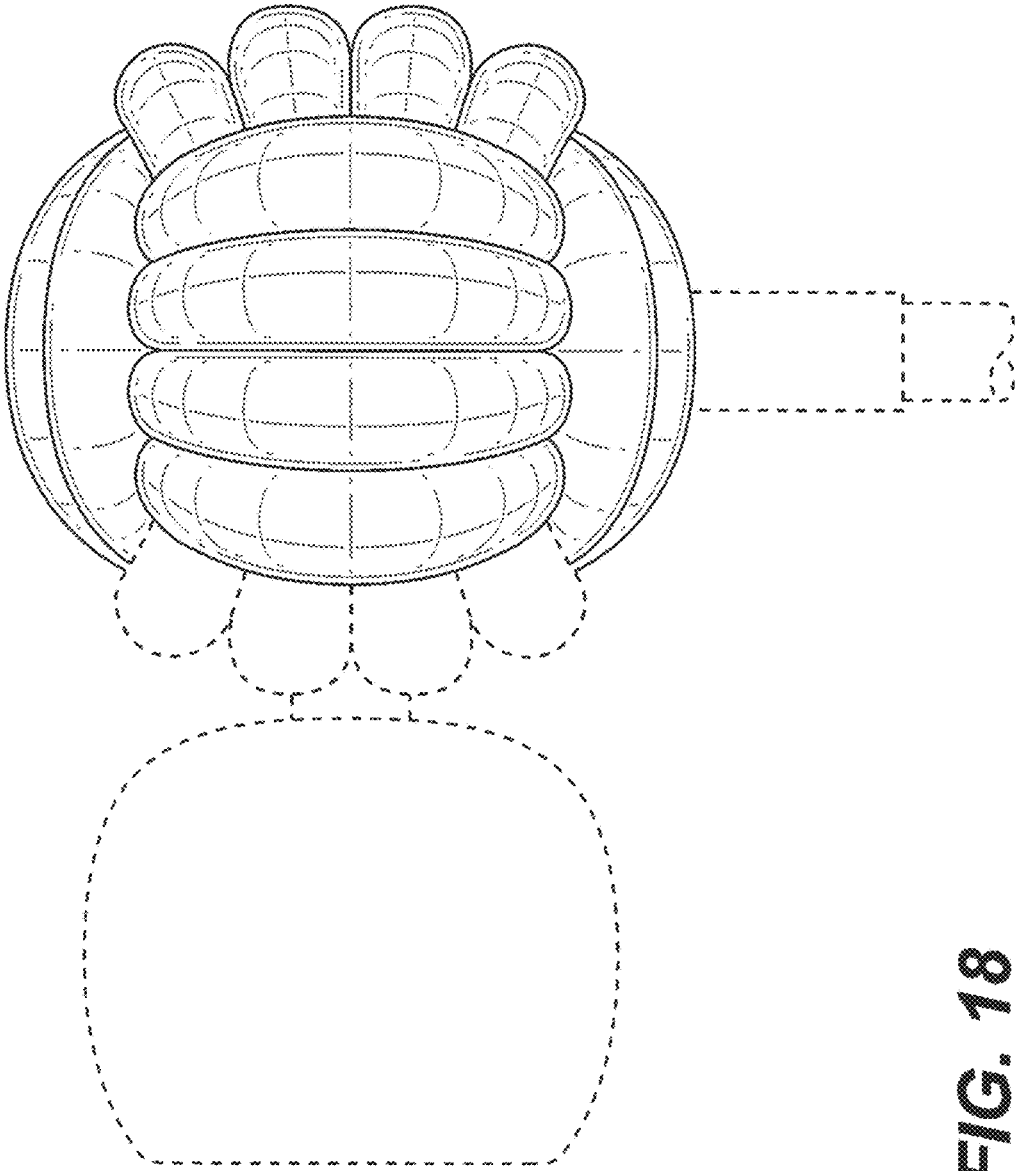


FIG. 18

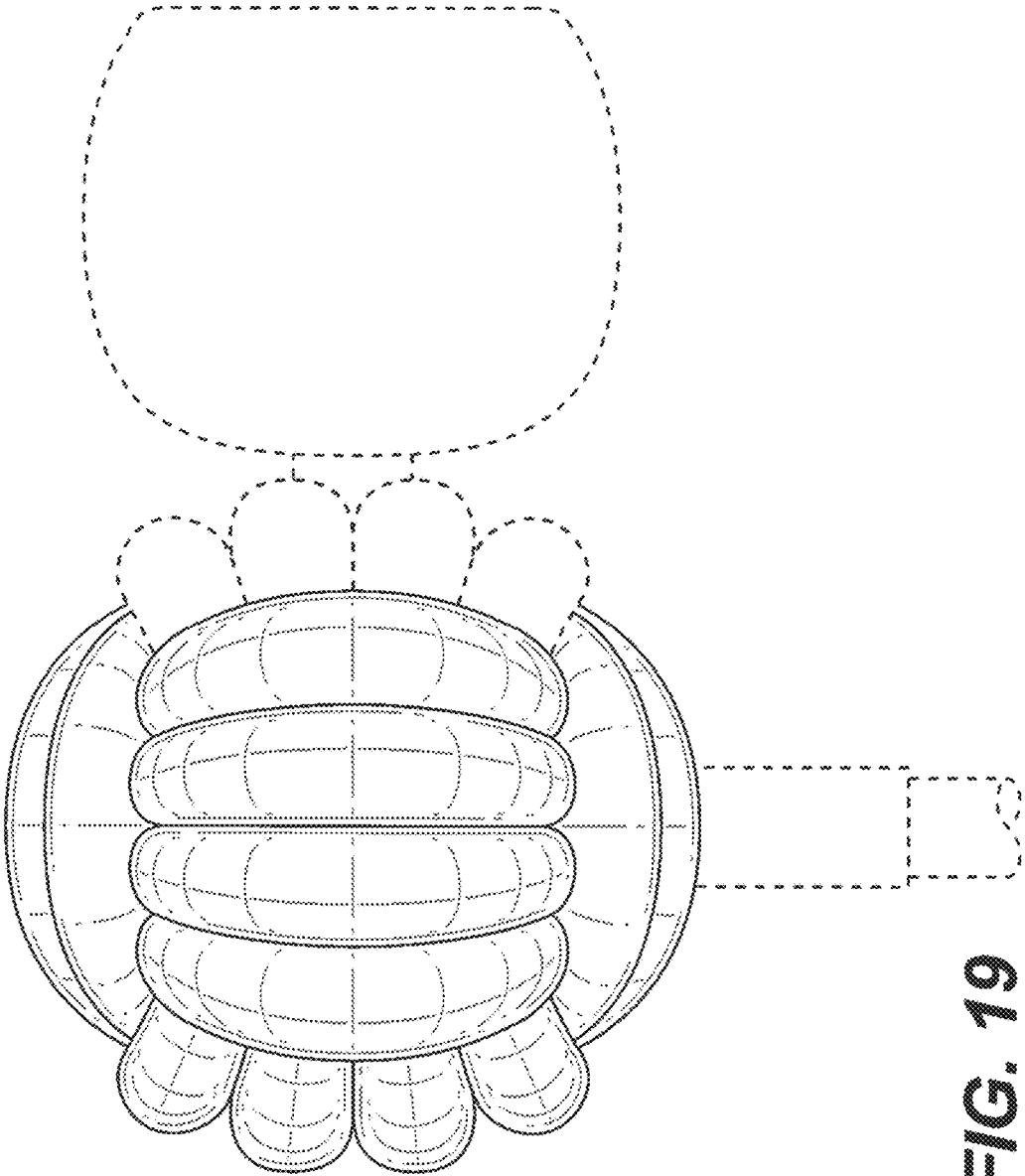


FIG. 19

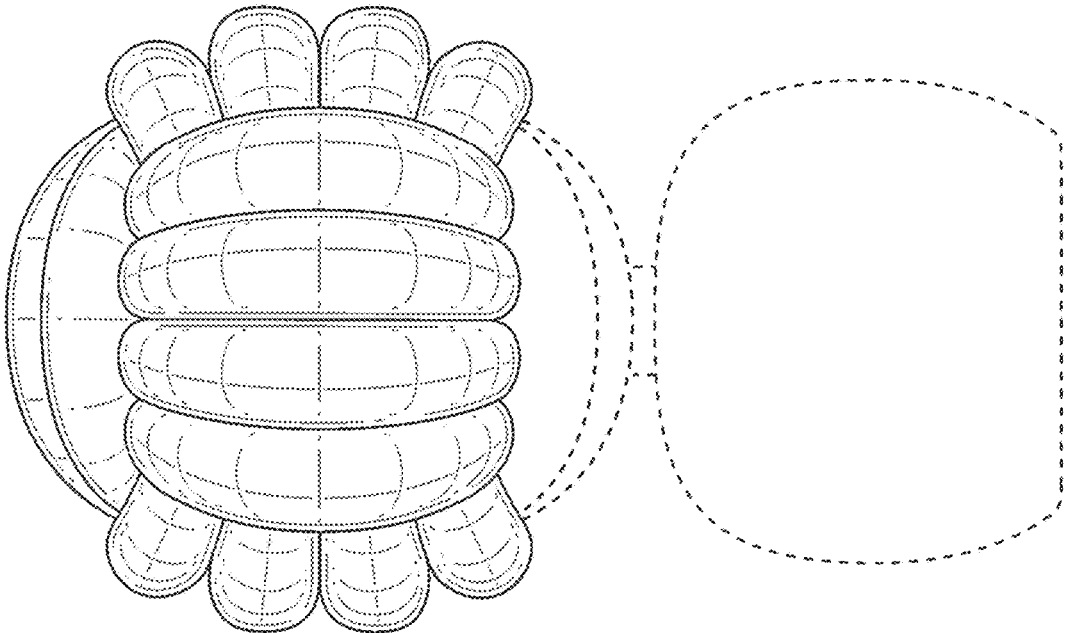


FIG. 20

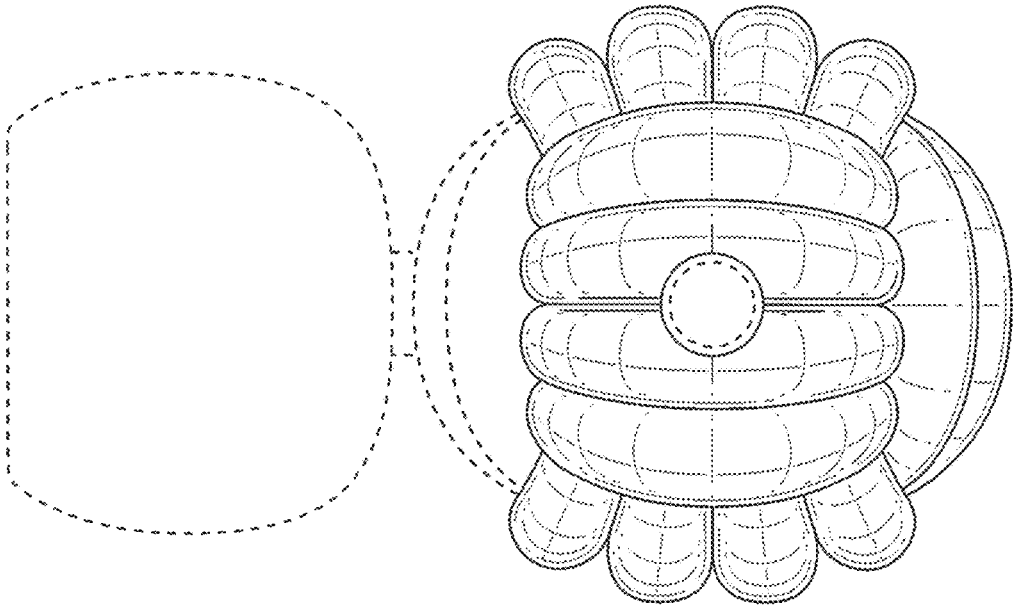


FIG. 21