

[54] **PORTABLE WATER PUMP**

[76] **Inventor:** David W. Harvey, 508 W. Summit,
Fairfield, Ill. 62837

[**] **Term:** 14 Years

[21] **Appl. No.:** 777,415

[22] **Filed:** Sep. 18, 1985

[52] **U.S. Cl.** D15/7

[58] **Field of Search** D15/7, 9; 417/40, 182.5,
417/231, 234, 410

[56] **References Cited**

U.S. PATENT DOCUMENTS

D. 258,590	3/1981	Shaw	D15/7
D. 280,902	10/1985	Maruyama	D15/7
D. 280,992	10/1985	Maruyama	D15/7
D. 283,225	4/1986	Canvasser	D15/7
4,552,515	11/1985	Endo	417/472

OTHER PUBLICATIONS

Stellhorn catalogue No. 50 (1982) p. 36, "Carbon Steel Basic Pump", No. 650057.

Primary Examiner—Susan J. Lucas

Assistant Examiner—Brian N. Vinson

Attorney, Agent, or Firm—Terry M. Gernstein

[57] **CLAIM**

The ornamental design for a portable water pump, as shown and described.

DESCRIPTION

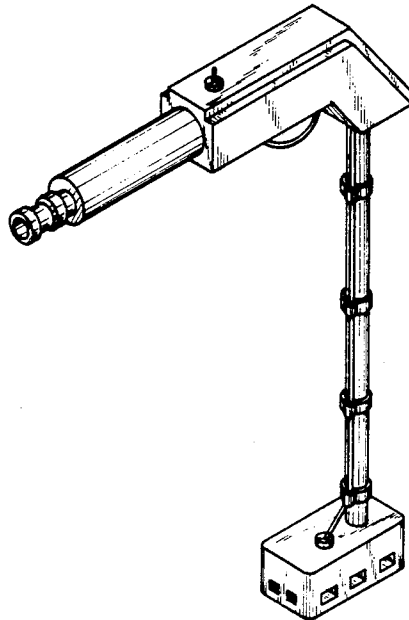
FIG. 1 is a right side elevational view of a portable water pump showing my new design, the left side being a mirror image;

FIG. 2 is a front elevational view thereof;

FIG. 3 is a rear elevational view thereof;

FIG. 4 is a top plan view thereof; and,

FIG. 5 is a front, rear and right side perspective view thereof, the cable element being shown broken-away in the views to indicate indeterminate length.



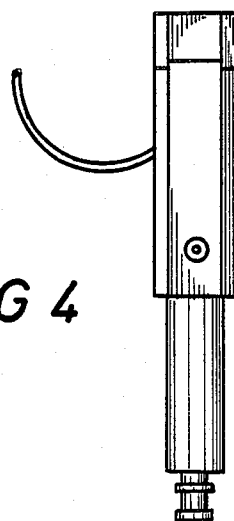
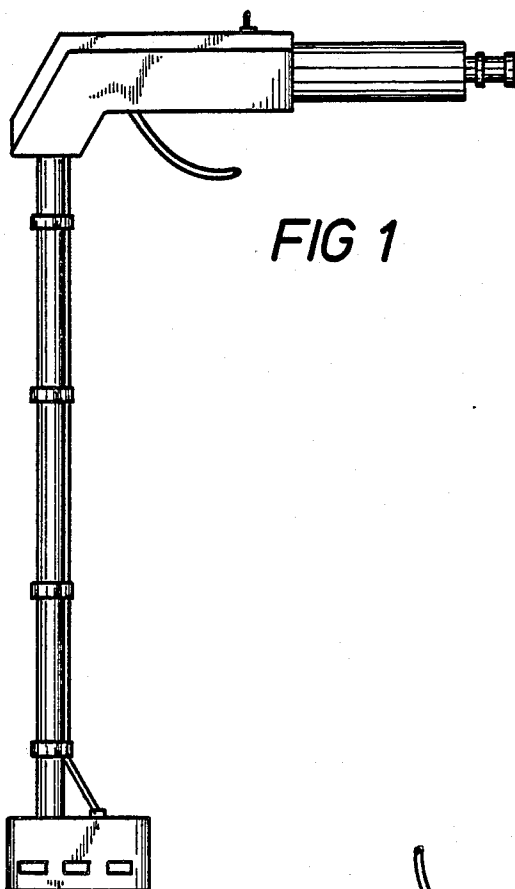


FIG 2

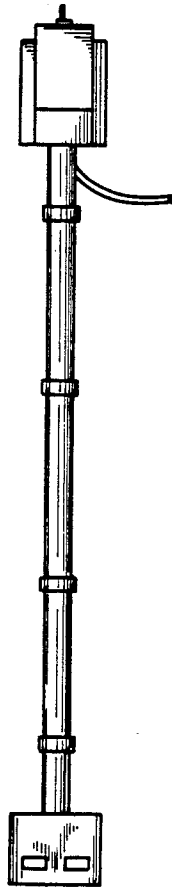
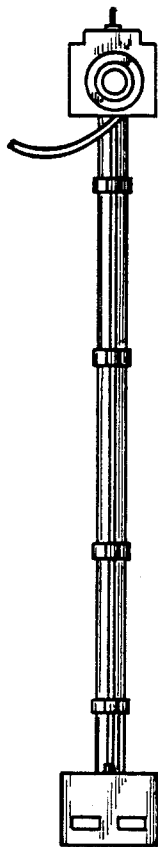


FIG 3



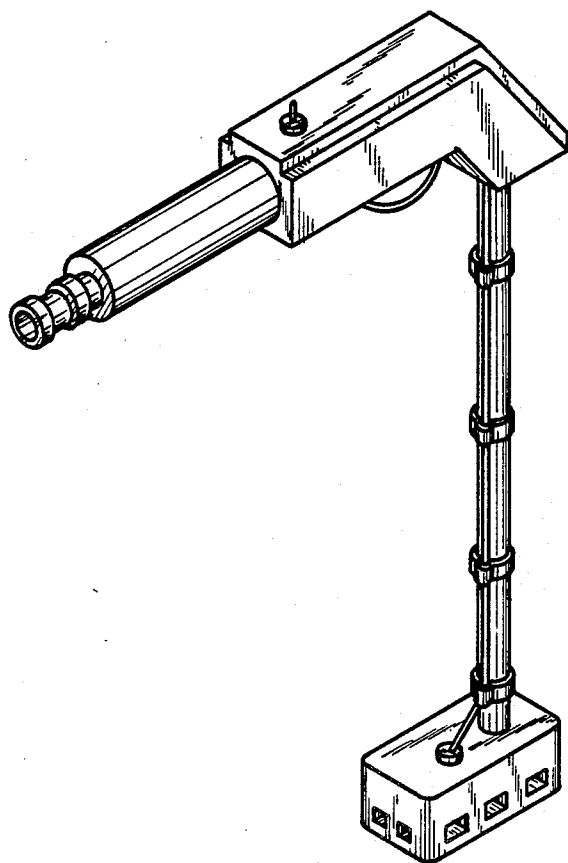


FIG 5