



US0D1024452S

(12) **United States Design Patent**
Libsack

(10) **Patent No.:** **US D1,024,452 S**

(45) **Date of Patent:** **** Apr. 23, 2024**

(54) **AUTOMATIC HAY FEEDER**

40/254; A01D 90/00; A01D 90/08; A01D
87/122; A01F 25/12; A01F 25/125; A01F
25/13; A01F 25/14

(71) Applicant: **HayBox LLC**, Greeley, CO (US)

See application file for complete search history.

(72) Inventor: **Todd Libsack**, Greeley, CO (US)

(**) Term: **15 Years**

(56) **References Cited**

U.S. PATENT DOCUMENTS

(21) Appl. No.: **29/771,856**

3,640,386 A *	2/1972	Frangos	B22F 12/222 209/337
4,949,675 A *	8/1990	Parks	A01F 29/005 119/51.11
5,205,241 A *	4/1993	Halpin	A01K 5/01 119/60
5,509,377 A *	4/1996	Franklin	A01K 1/10 119/60
5,899,169 A *	5/1999	Jenson	A01K 5/0291 119/51.13

(22) Filed: **Feb. 25, 2021**

(51) **LOC (14) Cl.** **30-03**

(52) **U.S. Cl.**

USPC **D30/131; D30/121**

(58) **Field of Classification Search**

USPC D30/133, 121, 122, 124, 127, 128, 132,
D30/129-131; 119/51.01, 61, 51.04, 53,
119/57.91, 54, 53.5, 52.4, 51.11, 63, 61.2,
119/52.1, 57.5, 57.6, 51.13, 62, 75, 500,
119/501, 73, 74, 51.12, 51.5, 52.2, 61.1,
119/60, 58, 59, 61.4; 239/7, 687, 379,
239/397.5; 222/199, 181.1, 181.2, 185.1,
222/557, 156, 485, 486, 548, 555;
220/628, 200, 227, 247, 262, 697-702,
220/4.12, 4.16; 221/174, 185.1, 289, 295,
221/296, 559; 454/35; 209/270, 283,
209/244; 52/194, 192; 49/279, 344, 357;
D34/28; D7/409, 601; 211/181.1;
414/24.5; D32/53.1; 15/260, 262, 264,
15/257.01, 257.05, 257.06; 118/419;
D9/424, 429; D8/1; D11/143, 144;
47/18, 65, 65.5, 66.1, 66.6, 66.7, 86, 39,
47/41.11, 41.01, 41.14, 901, 33, 73, 44,
47/46, 48.5, DIG. 3

CPC .. A01K 5/00-007; A01K 5/01; A01K 5/0107;
A01K 7/00; A01K 1/10; A01G 9/02;
A01G 9/021; A01G 9/029; A01G 9/0291;
A01G 9/12; A01G 9/16; A01G 9/022;
A01G 9/027; A01G 9/1423; A01G
9/1438; A47H 27/00; Y10S 119/90; Y02A

(Continued)

Primary Examiner — Susan Moon Lee

(74) *Attorney, Agent, or Firm* — Reilly Intellectual
Property Law Firm

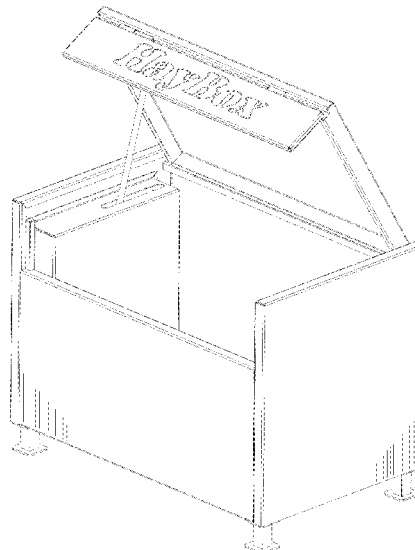
(57) **CLAIM**

The ornamental design for an automatic hay feeder, as
shown and described.

DESCRIPTION

FIG. 1 is a side perspective view of an automatic hay feeder,
showing my new design;
FIG. 2 is an open perspective view thereof;
FIG. 3 is a top view thereof;
FIG. 4 is a front view thereof;
FIG. 5 is a back view thereof;
FIG. 6 is a bottom view thereof;
FIG. 7 is a side view of FIG. 1;
FIG. 8 is an opposite side view of FIG. 7; and,
FIG. 9 is an exploded view of the automatic hay feeder.
The broken line portion of FIGS. 1, 2, 4, 5, 7 and 9 is
included to show environment that forms no part of the
claimed design.

1 Claim, 6 Drawing Sheets



(56)

References Cited

U.S. PATENT DOCUMENTS

6,263,833	B1 *	7/2001	Runyan	A01K 5/00	119/57.2
7,117,817	B2 *	10/2006	Overstreet	A01K 5/00	119/61.2
7,325,512	B2 *	2/2008	Overstreet	A01D 87/10	119/61.2
D618,459	S *	6/2010	Thuma	D3/279	
10,897,873	B1 *	1/2021	Daigle	A01K 1/10	
D991,677	S *	7/2023	Singh	D3/276	
2009/0293811	A1 *	12/2009	Wersal	A01K 1/10	119/58

* cited by examiner

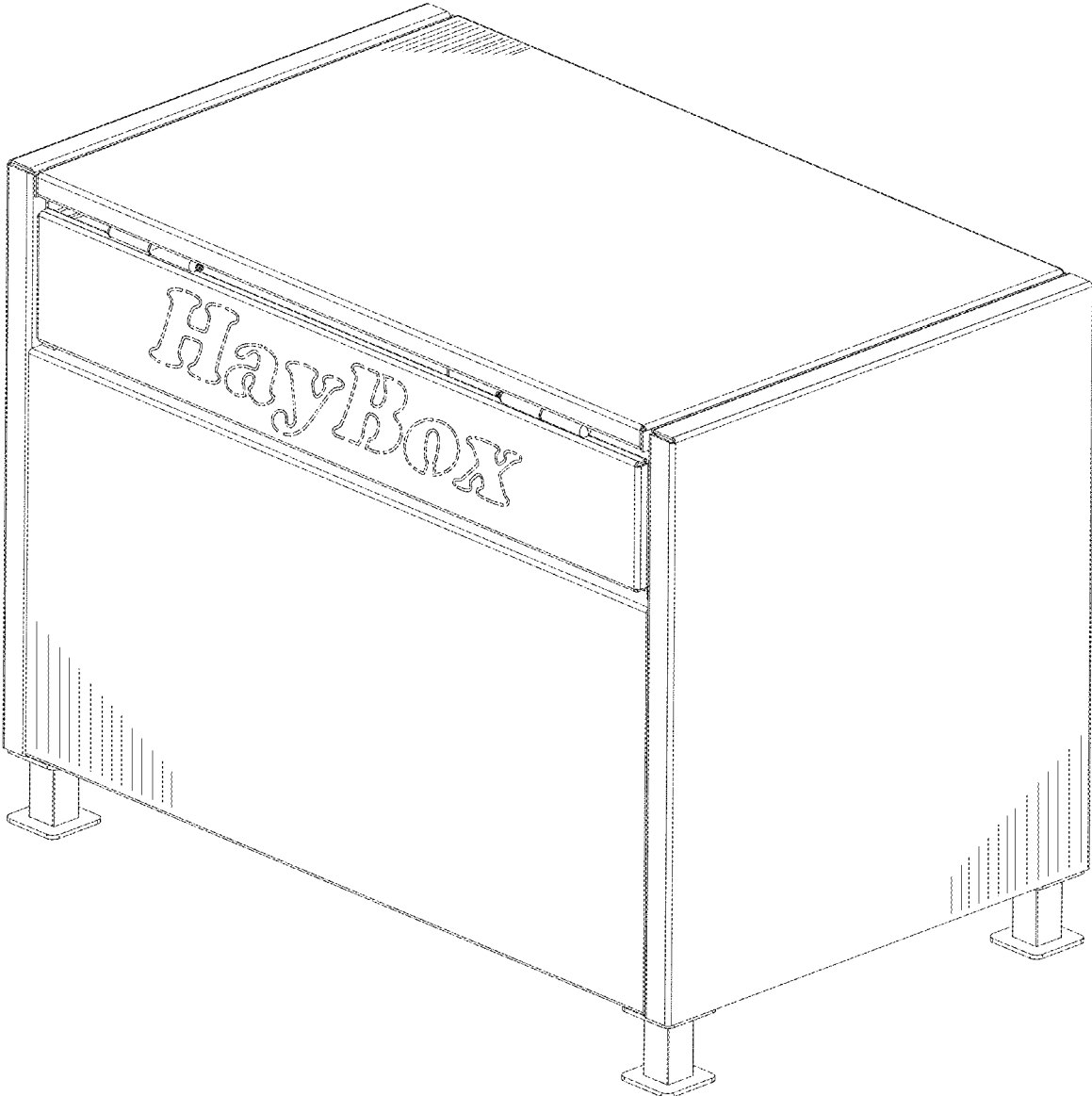


Fig. 1

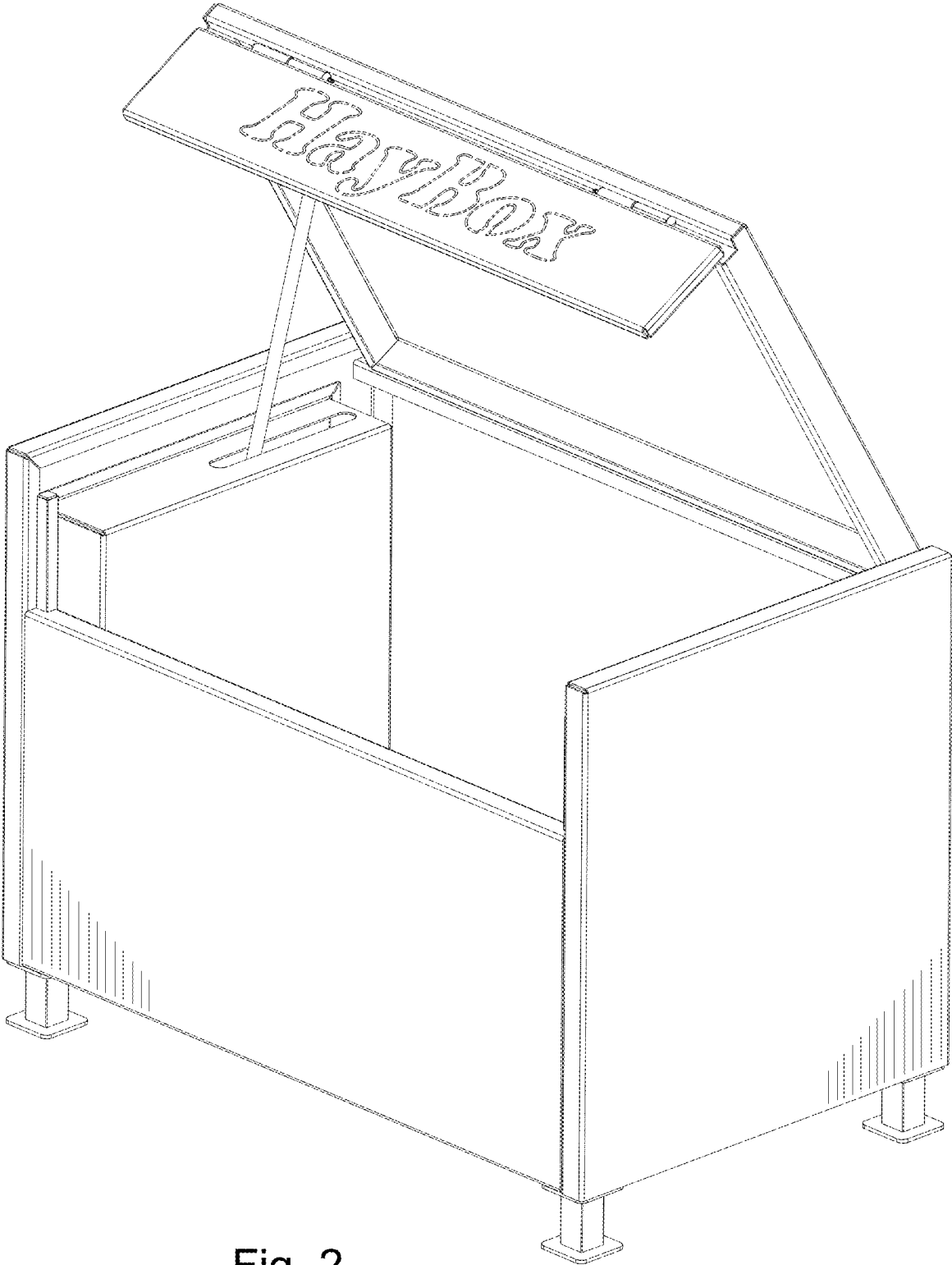


Fig. 2

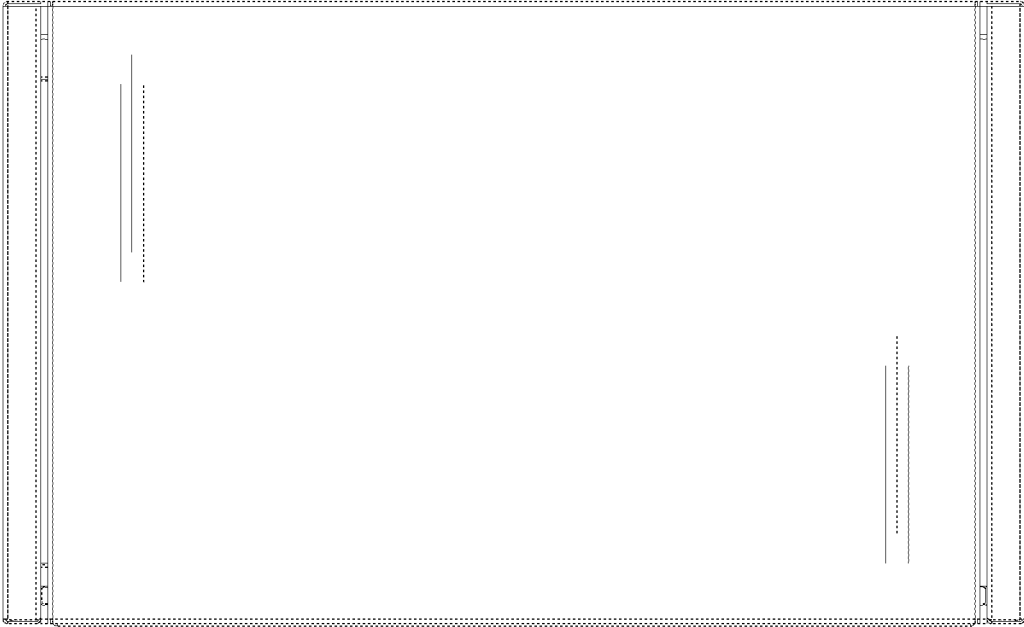


Fig. 3

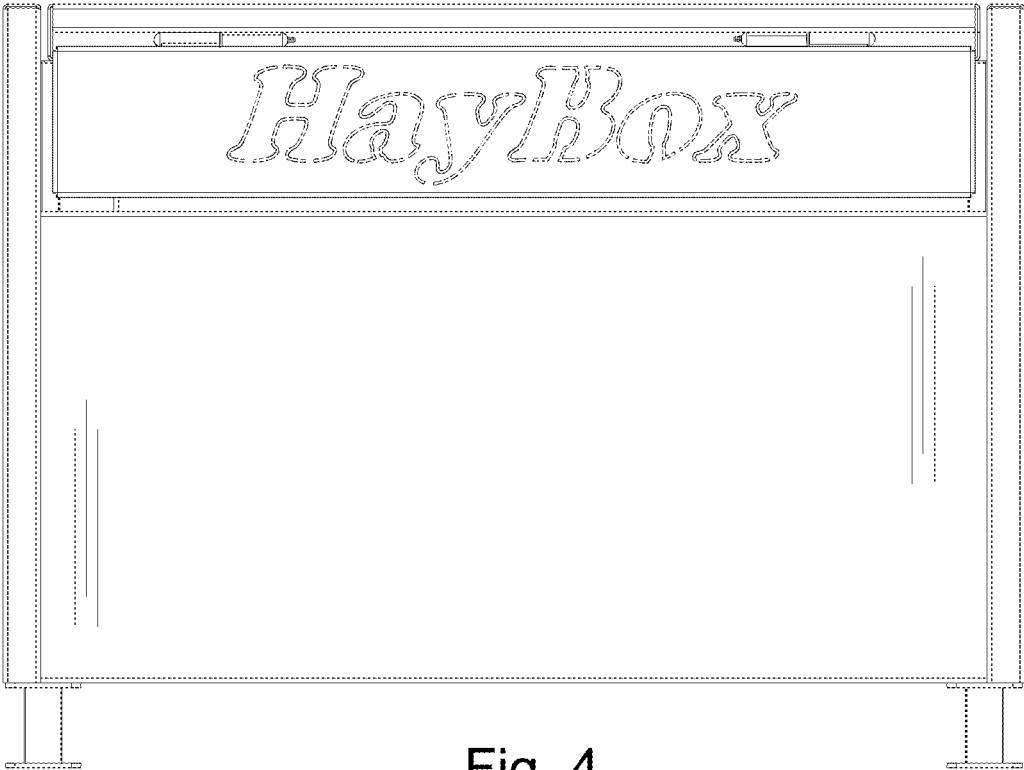
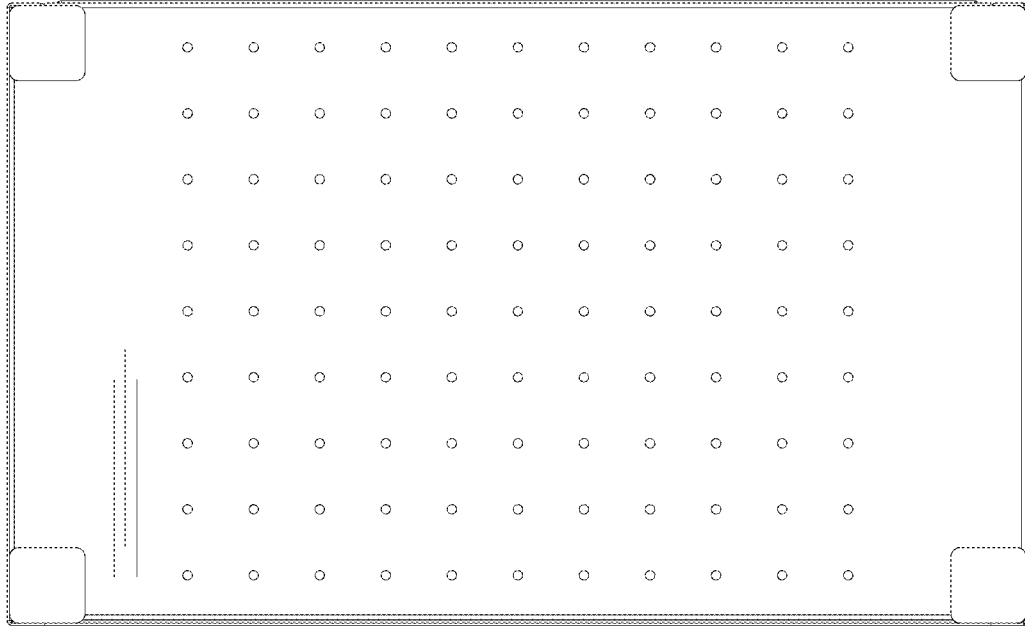
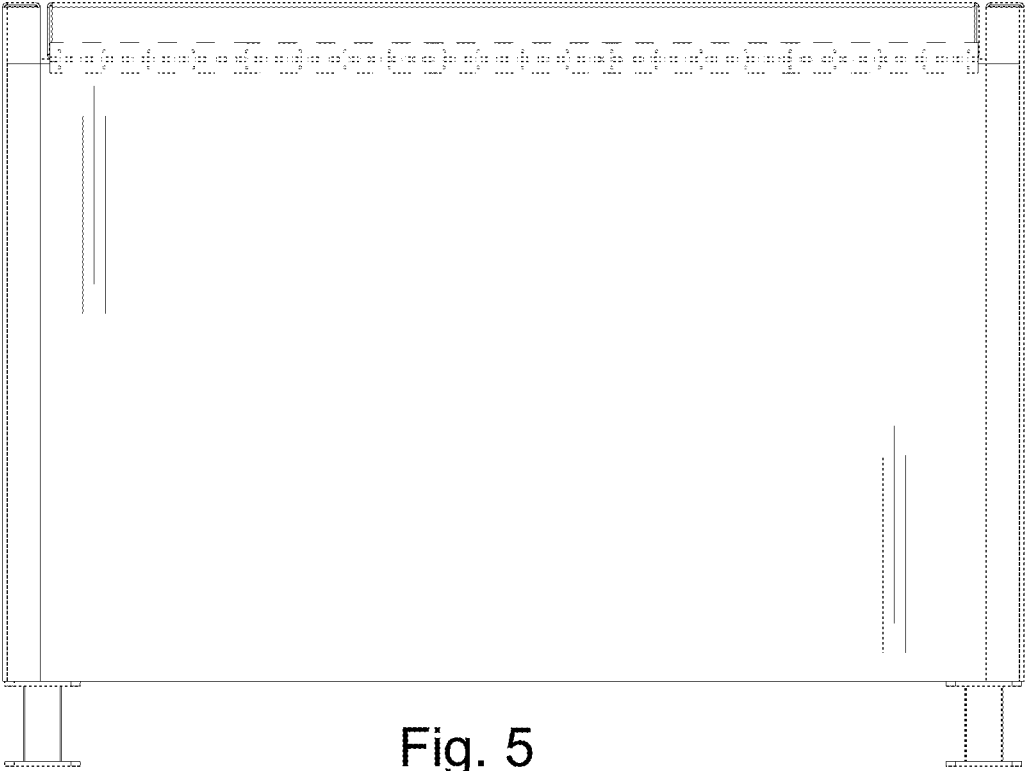


Fig. 4



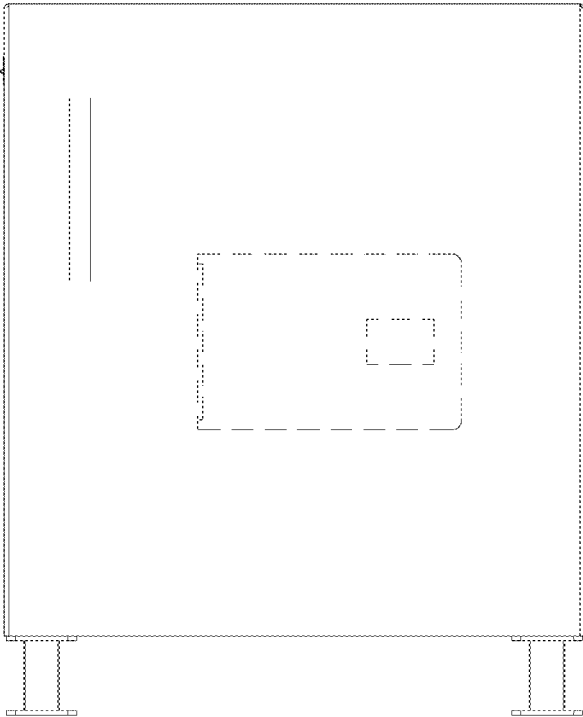


Fig. 7

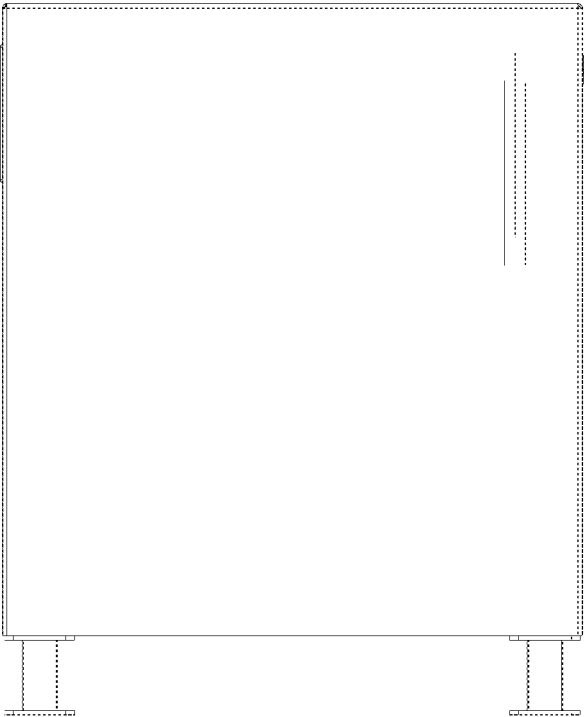


Fig. 8

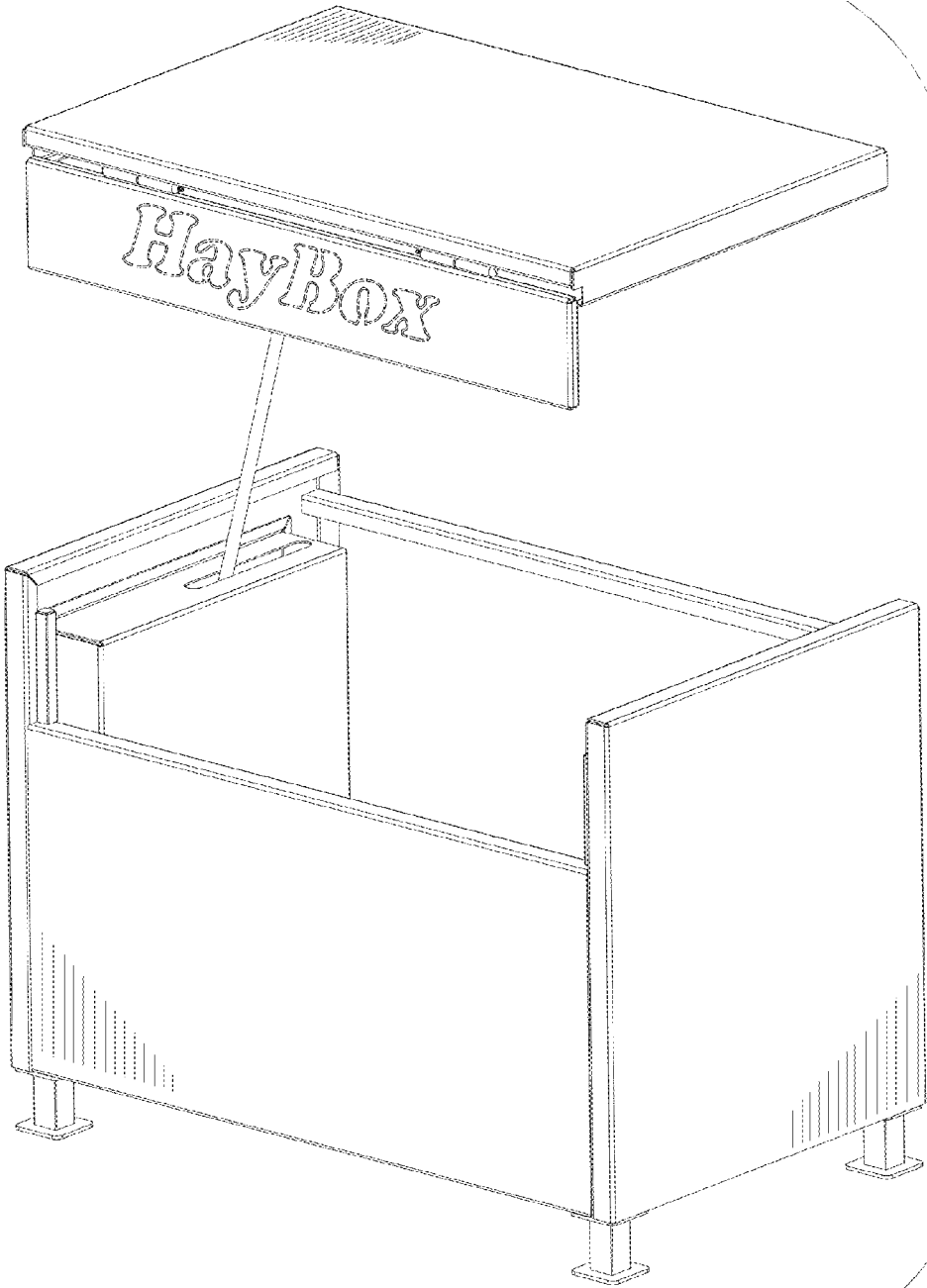


Fig. 9