



- (51) International Patent Classification:
B60K 7/00 (2006.01) *B60B 25/04* (2006.01)
- (21) International Application Number:
PCT/JP2009/067962
- (22) International Filing Date:
9 October 2009 (09.10.2009)
- (25) Filing Language: English
- (26) Publication Language: English
- (30) Priority Data:
2008-326245 22 December 2008 (22.12.2008) JP
- (71) Applicant (for all designated States except US): TOYOTA JIDOSHA KABUSHIKI KAISHA [JP/JP]; 1, Toyota-cho, Toyota-shi, Aichi, 4718571 (JP).
- (72) Inventor; and
(75) Inventor/Applicant (for US only): MURATA, Satoshi [JP/JP]; c/o TOYOTA JIDOSHA KABUSHIKI KAISHA, 1, Toyota-cho, Toyota-shi, Aichi, 4718571 (JP).
- (74) Agent: ITOH, Tadahiko; 32nd Floor, Yebisu Garden Place Tower, 20-3 Ebisu 4-chome, Shibuya-ku, Tokyo, 1506032 (JP).
- (81) Designated States (unless otherwise indicated, for every kind of national protection available): AE, AG, AL, AM, AO, AT, AU, AZ, BA, BB, BG, BH, BR, BW, BY, BZ,

CA, CH, CL, CN, CO, CR, CU, CZ, DE, DK, DM, DO, DZ, EC, EE, EG, ES, FI, GB, GD, GE, GH, GM, GT, HN, HR, HU, ID, IL, IN, IS, KE, KG, KM, KN, KP, KR, KZ, LA, LC, LK, LR, LS, LT, LU, LY, MA, MD, ME, MG, MK, MN, MW, MX, MY, MZ, NA, NG, NI, NO, NZ, OM, PE, PG, PH, PL, PT, RO, RS, RU, SC, SD, SE, SG, SK, SL, SM, ST, SV, SY, TJ, TM, TN, TR, TT, TZ, UA, UG, US, UZ, VC, VN, ZA, ZM, ZW.

- (84) Designated States (unless otherwise indicated, for every kind of regional protection available): ARIPO (BW, GH, GM, KE, LS, MW, MZ, NA, SD, SL, SZ, TZ, UG, ZM, ZW), Eurasian (AM, AZ, BY, KG, KZ, MD, RU, TJ, TM), European (AT, BE, BG, CH, CY, CZ, DE, DK, EE, ES, FI, FR, GB, GR, HR, HU, IE, IS, IT, LT, LU, LV, MC, MK, MT, NL, NO, PL, PT, RO, SE, SI, SK, SM, TR), OAPI (BF, BJ, CF, CG, CI, CM, GA, GN, GQ, GW, ML, MR, NE, SN, TD, TG).

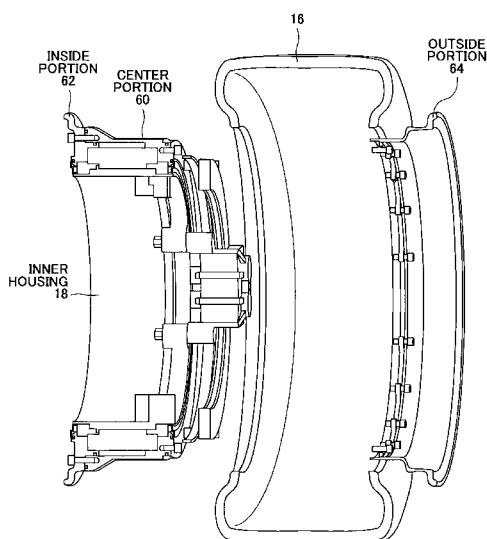
Published:

- with international search report (Art. 21(3))
- before the expiration of the time limit for amending the claims and to be republished in the event of receipt of amendments (Rule 48.2(h))

- (88) Date of publication of the international search report:
19 August 2010

(54) Title: WHEEL DRIVING APPARATUS

FIG.6



(57) Abstract: A wheel driving apparatus including a cylindrical inner housing (18) supported by a vehicle body via a suspension, a wheel (14) supported by the cylindrical inner housing (18) so that the wheel (14) is rotatable relative to the cylindrical inner housing (18), a motor (40) having a stator (44) attached to the cylindrical inner housing (18) and a rotor (42) attached to the wheel (14), wherein the wheel includes: a main body portion (60); and an outside portion (64) positioned on an outer side of the vehicle body, and the rotor (42) is attached to the main body portion (60).



INTERNATIONAL SEARCH REPORT

International application No
PCT/JP2009/067962

A. CLASSIFICATION OF SUBJECT MATTER
 INV. B60K7/00 B60B25/04
 ADD.

According to International Patent Classification (IPC) or to both national classification and IPC

B. FIELDS SEARCHED

Minimum documentation searched (classification system followed by classification symbols)
 B60K B60B

Documentation searched other than minimum documentation to the extent that such documents are included in the fields searched

Electronic data base consulted during the international search (name of data base and, where practical, search terms used)

EPO-Internal

C. DOCUMENTS CONSIDERED TO BE RELEVANT

Category*	Citation of document, with indication, where appropriate, of the relevant passages	Relevant to claim No.
X	US 2007/096586 A1 (CROS JEROME [CA] ET AL) 3 May 2007 (2007-05-03) figures 1-3	1,2,4,5
X	US 5 327 034 A (COUTURE PIERRE [CA] ET AL) 5 July 1994 (1994-07-05) figures 1,8,9,16	1-4,9,10
X	DE 199 48 224 C1 (DAIMLER CHRYSLER AG [DE]) 7 June 2001 (2001-06-07) figure 2	1,2,6,7

 Further documents are listed in the continuation of Box C.

 See patent family annex.

* Special categories of cited documents :

"A" document defining the general state of the art which is not considered to be of particular relevance

"E" earlier document but published on or after the international filing date

"L" document which may throw doubts on priority claim(s) or which is cited to establish the publication date of another citation or other special reason (as specified)

"O" document referring to an oral disclosure, use, exhibition or other means

"P" document published prior to the international filing date but later than the priority date claimed

"T" later document published after the international filing date or priority date and not in conflict with the application but cited to understand the principle or theory underlying the invention

"X" document of particular relevance; the claimed invention cannot be considered novel or cannot be considered to involve an inventive step when the document is taken alone

"Y" document of particular relevance; the claimed invention cannot be considered to involve an inventive step when the document is combined with one or more other such documents, such combination being obvious to a person skilled in the art.

"&" document member of the same patent family

Date of the actual completion of the international search

9 June 2010

Date of mailing of the international search report

18/06/2010

Name and mailing address of the ISA/

European Patent Office, P.B. 5818 Patentlaan 2
 NL - 2280 HV Rijswijk
 Tel. (+31-70) 340-2040,
 Fax: (+31-70) 340-3016

Authorized officer

Yildirim, Ismet

INTERNATIONAL SEARCH REPORT

Information on patent family members

International application No

PCT/JP2009/067962

Patent document cited in search report		Publication date	Patent family member(s)	Publication date
US 2007096586	A1	03-05-2007	CA 2622280 A1	10-05-2007
			WO 2007051280 A1	10-05-2007
			CN 101300729 A	05-11-2008
			EP 1943715 A1	16-07-2008
US 5327034	A	05-07-1994	AT 150596 T	15-04-1997
			AT 234743 T	15-04-2003
			AU 1019097 A	13-03-1997
			AU 676484 B2	13-03-1997
			AU 4554393 A	31-01-1994
			BR 9306755 A	08-12-1998
			CA 2139118 A1	20-01-1994
			WO 9401917 A1	20-01-1994
			CN 1101178 A	05-04-1995
			CN 1142133 A	05-02-1997
			DE 69309066 D1	24-04-1997
			DE 69309066 T2	09-10-1997
			DE 69332783 D1	24-04-2003
			DE 69332783 T2	19-02-2004
			DK 650644 T3	13-10-1997
			EP 0650644 A1	03-05-1995
			ES 2101326 T3	01-07-1997
			FI 950133 A	09-03-1995
			GR 3023830 T3	30-09-1997
			HU 68449 A2	28-06-1995
			JP 3396481 B2	14-04-2003
			JP 7508877 T	28-09-1995
			NZ 254035 A	24-06-1997
			PL 307052 A1	02-05-1995
			TR 27549 A	07-06-1995
			US 5355039 A	11-10-1994
			DE 19948224	C1