



(51) International Patent Classification:

A41D 13/012 (2006.01) B63C 11/02 (2006.01)
A41D 13/00 (2006.01) B63C 11/10 (2006.01)
A41D 27/00 (2006.01) B63C 9/13 (2006.01)
A41D 27/16 (2006.01)

(21) International Application Number:

PCT/CA2015/050716

(22) International Filing Date:

28 July 2015 (28.07.2015)

(25) Filing Language:

English

(26) Publication Language:

English

(30) Priority Data:

62/032,353 1 August 2014 (01.08.2014) US
2866277 30 September 2014 (30.09.2014) CA
14/561,466 5 December 2014 (05.12.2014) US

(71) Applicant: **WHITES MANUFACTURING LTD.**

[CA/CA]; 6820 Kirkpatrick Crescent, Saanichton, British Columbia V8M 1Z9 (CA).

(72) Inventors: **MYERSCOUGH, Richard Kerry;** 437

Monterey Avenue, Victoria, British Columbia V8T 4S8

(CA). **HARRINGTON, Ross Davis;** 41 Cadillac Avenue, Victoria, British Columbia V8Z 1T3 (CA). **LUOMALA, Leo;** 6820 Kirkpatrick Crescent, Saanichton, British Columbia V8M 1Z9 (CA).

(74) Agents: **THOMPSON, Douglas B.** et al.; THOMPSON COOPER LLP, Suite 201, 1007 Fort Street, Victoria, British Columbia V8V 3K5 (CA).

(81) Designated States (unless otherwise indicated, for every kind of national protection available): AE, AG, AL, AM, AO, AT, AU, AZ, BA, BB, BG, BH, BN, BR, BW, BY, BZ, CA, CH, CL, CN, CO, CR, CU, CZ, DE, DK, DM, DO, DZ, EC, EE, EG, ES, FI, GB, GD, GE, GH, GM, GT, HN, HR, HU, ID, IL, IN, IR, IS, JP, KE, KG, KN, KP, KR, KZ, LA, LC, LK, LR, LS, LU, LY, MA, MD, ME, MG, MK, MN, MW, MX, MY, MZ, NA, NG, NI, NO, NZ, OM, PA, PE, PG, PH, PL, PT, QA, RO, RS, RU, RW, SA, SC, SD, SE, SG, SK, SL, SM, ST, SV, SY, TH, TJ, TM, TN, TR, TT, TZ, UA, UG, US, UZ, VC, VN, ZA, ZM, ZW.

(84) Designated States (unless otherwise indicated, for every kind of regional protection available): ARIPO (BW, GH, GM, KE, LR, LS, MW, MZ, NA, RW, SD, SL, ST, SZ, TZ, UG, ZM, ZW), Eurasian (AM, AZ, BY, KG, KZ, RU,

[Continued on next page]

(54) Title: ADJUSTABLE CIRCUMFERENTIAL SEAL

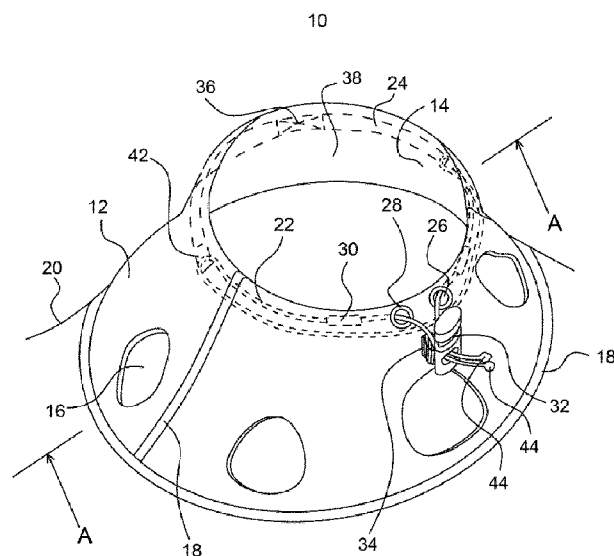


FIG. 1

(57) Abstract: An adjustable circumference seal includes an envelope having an outer layer and an inner layer, with die inner layer defining a sealing surface. A circumferential closure is provided for constricting the inner layer of the envelope and thereby adjusting a circumference of the inner layer of the envelope. The closure includes a band having a first end and a second end, with a first cord guide at the first end and a second cord guide at the second end. A cord is threaded from the outer layer through a cord channel in the envelope, through the first cord guide of the band, through the second cord guide of the band and back through die cord channel. By pulling die cord, die circumference of die inner layer of die envelope is reduced until the sealing surface is brought into a sealing engagement. A cord lock for maintains the cord in a selected position.



TJ, TM), European (AL, AT, BE, BG, CH, CY, CZ, DE, DK, EE, ES, FI, FR, GB, GR, HR, HU, IE, IS, IT, LT, LU, LV, MC, MK, MT, NL, NO, PL, PT, RO, RS, SE, SI, SK, SM, TR), OAPI (BF, BJ, CF, CG, CI, CM, GA, GN, GQ, GW, KM, ML, MR, NE, SN, TD, TG).

Published:

— *with international search report (Art. 21(3))*

TITLE

[0001] Adjustable circumferential seal

FIELD

5 [0002] There is described an adjustable circumferential seal that was developed for sealing neck and appendage openings on water immersion suits, but has broader application.

BACKGROUND

10 [0003] United States Patent 6,668,386 (Vidal) entitled "adjustable neck seal", discloses one approach to an adjustable circumference seal. There will hereinafter be described an alternative structure for an adjustable circumference seal.

SUMMARY

15 [0004] There is provided an adjustable circumference seal including an envelope having an outer layer and an inner layer, with the inner layer defining a sealing surface. A circumferential closure is provided for constricting the inner layer of the envelope and thereby adjusting a circumference of the inner layer of the envelope. The closure includes a band having a first end and a second end, with a first cord guide at the first end and a second cord guide at the second end. At least one cord channel is provided in the envelope. A cord is
20 threaded from the outer layer of the envelope through the at least one cord channel, through the first cord guide of the band, through the second cord guide of the band and back through the at least one cord channel to the outer layer of the envelope. By pulling the cord, the circumference of the inner layer of the envelope is reduced until the sealing surface is brought into a sealing engagement. At least one fastener serves as a cord lock for maintaining the
25 cord in a selected position.

[0005] The configuration of adjustable circumference seal, as described above, functions effectively. There will now be described some additional features that it is preferred be included to further improve functioning.

30

[0006] For ease of manufacture, it is preferred that the inner layer and the outer layer be formed from a sheet of material that is folded, creating a space between the inner layer and the outer layer. The band is positioned in the space between the inner layer and the outer

layer. With this configuration, the cord channel consists of an opening through the outer layer of the envelope which communicates with the space between the inner layer and the outer layer. Two cord channels will be illustrated and described, however, it could be made to function with a single cord channel.

5

[0007] The band positioned in the space between the inner layer and the outer layer, may be fixed to the inner layer or the outer layer to maintain the band in a desired position. However, it is preferred that the envelope be made with a narrow portion of a diameter that is relatively narrower than a diameter of a balance of the envelope. Chosen for illustration is a conical configuration. When there is a narrower diameter on the envelope, the cord and the band automatically migrate to the narrow area as they are tightened. The natural migration of the cord and the band make securing the band in position unnecessary.

10

[0008] In water immersion applications (such as diving), water (and sometimes air) tends to accumulate in any spaces. It is, therefore, preferred that the envelope have drainage openings in the outer layer to facilitate drainage from the envelope. It is also preferred that the envelope have inspection openings extending through the outer layer to facilitate inspection of that portion of the cord positioned under the outer layer. Inspection openings are important to ensure that the cord does not deteriorate to the point where it might break during use. It should be noted that, if made a sufficient size, drainage openings can function as inspection openings and inspection openings can function as drainage openings.

15
20

[0009] If the cord is over-tightened harm may result to the wearer. This is particularly the case if the adjustable circumference seal is positioned around a wearer's neck. It can be difficult for a person wearing gloves or having cold hands to loosen the adjustable circumference seal in an emergency. It is, therefore, preferred that a mechanism be provided to prevent over-tightening. One approach is to mount limiting devices on the cord in the space between the inner layer and the outer layer. The limiting devices are incapable of passing through the cord channel, thereby setting a minimum circumference adjustment.

25
30 Another approach is to have the first end and the second end of the band serve as limiters. The first end and the second end of the band are incapable of passing through the cord

channel, thereby setting a minimum circumference adjustment.

[0010] As a practical matter, people come in a variety of neck sizes. It is not always
5 practical to know in advance the neck sizes of all persons in a group of people. It is, therefore,
preferred that a length of the band be adjustable. This enables the length of the band to be
reduced to accommodate persons with relatively small neck circumferences and expanded to
accommodate persons with relatively large neck circumferences.

10 BRIEF DESCRIPTION OF THE DRAWINGS

[0011] These and other features will become more apparent from the following
description in which reference is made to the appended drawings, the drawings are for the
purpose of illustration only and are not intended to be in any way limiting, wherein:

[0012] Fig. 1 is a perspective view of an adjustable circumference seal.

15 [0013] Fig. 2 is a cross sectional front view of section A- A shown in Fig. 1

[0014] Fig. 3 is a perspective view of the cord, material band and cord lock that are used
to adjust the circumference of the opening of the conical seal, with the material band having a
length that is substantially less than half the circumference of the opening of the conical seal.

[0015] Fig. 4 is a perspective view of the cord, material band and cord lock that are used
20 to adjust the circumference of the opening of the conical seal, with the material band having a
length that is approximately half the circumference of the opening of the conical seal.

[0016] Fig. 5 is a perspective view of the cord, material band and cord lock that are used
to adjust the circumference of the opening of the conical seal, with limiters placed on the cord
to limit the minimum circumference of the opening of the conical seal.

25 [0017] Fig. 6 is a perspective view of the cord, material band and cord lock that are used
to adjust the circumference of the opening of the conical seal, with the length of the material
band equal to the minimum required circumference of the opening of the conical seal.

[0018] FIG. 7 is a perspective view of the cord, material band and cord lock, with the band
being adjustable.

30

DETAILED DESCRIPTION

[0019] An adjustable circumference seal will now be described with reference to FIG. 1 through FIG. 7.

Structure and Relationship of Parts:

5 [0020] Fig. 1 shows the invention 10 as it would be applied to the neck opening of a garment 20. The conical seal is in the form of an envelope formed by folding over an inner layer 14 over, at the opening of the conical seal 38, forming an outer layer 12. The material used to make these layers can be neoprene. It can also consist of elastomeric and non-elastomeric water proof materials including single layer films, closed cell foams, open cell
10 foams, woven substrates, multi laminates, breathable membranes material. Between the inner layer 14 and the outer layer 12 a space 40 is formed. The conical shape of the seal is formed through water proof seams 18. These seams 18 would be glued, sewn and taped. They can also be welded or liquid sealed. It is also possible to form this conical shape through molding. Drain openings 16 are put into the outer layer 12 to allow for water drainage of space 40.
15 These drain openings 16 also allow access to the cord 22, the material band 24 and the limiters 30 that are inside the space 40. Checking these parts for wear, adjusting and replacement is possible due to the access through the drain openings 16. The drain openings 16 can be disposed anywhere on the outer layer but preferably they are along the area opposite to the opening of the conical seal 38. The size of the drain openings 16 is not limited,
20 the only constraint is that there needs to be enough area in the outer layer 12 to provide sufficient space 40 to run the cord 22 and the material band 24 through. The material band 24 has cord guides at each end, these cord guides have been illustrated as loops 42. It will be appreciated that cord guides could take a variety of forms, such as holes, grommets, and the like. A cord 22 passes through a cord lock 32, the cord lock 32 being held in place by a
25 webbing 34 that attaches it to the outer layer 12 near the opening of the conical seal, and then the cord passes through the outer layer 12 and into the space 40 via a cord hole 26 that's reinforced by a grommet 28. The cord travels around near the top of the envelope less than 180 degrees where it then passes through a loop 42 in a material band 24. The material band can be secured to the inside of the outer layer 12 by anchor stitching 36. The cord 22 then
30 travels back in the opposite direction near the top of the envelope less than 360 degrees where it passes through a loop 42 at the opposite end of the material band 24. Here the cord 22

reverses direction again and travels around near the top of the envelope less than 180 degrees where it then passes through the outer layer 12 via a cord hole 26, that is reinforced with a grommet 28. The cord 22 then passes through the cord lock 32. The cord 22 is made from shock cord, but it can also be made from, but not limited to, elastic or non-elastic materials
5 such as surgical tubing, solid or hollow extruded elastomeric or non-elastomeric polymers, nylon or polyester woven lines. The cord 22 can also be made from webbing, band like material. The material band 24 is made from webbing, and can also be made from, but not limited to, neoprene, molded polymers, films such Mylar, polyurethane and PVC. The material band 24 can also be made from a cord or string like material. The length of the
10 material band 24 could also be adjustable. The cord 22 can also be anchored at the loop in the material band 42. Instead of using a cord lock 32 other fastening devices could be used such as Velcro, magnets, snaps, cleat, knots, ratchets, buckles, ladder locks and winders.

By pulling one or both ends of the cord 44 the circumference of the conical seal opening 38
15 will be reduced and the cord lock 32 will hold the cord 22 in place. By attaching limiters 30, that are unable to pass through the grommet 28 reinforced cord holes 26 in the outer layer 12, in 2 places along the cord 22, the minimum circumference of the opening of the conical seal 38 can be regulated. The limiters 30 can be made from, but not limited to, polymer tubing, sewn material, molded plastics, plugs, rings, knots, heat shrink tubing, stiffened
20 sections formed within the cord. Their positioning on the cord 22 can be adjustable or fixed. The addition of the limiters 30 to this invention provide means of controlling the circumference of the conical seal to prevent over tightening which could lead to strangulation or loss of blood flow to appendages.

25 Fig. 2 shows the envelope with space 40 formed between the inner 14 and outer layer 12. The drain openings 16 allow water that enters the envelope through the cord holes 26 to drain out. Due to the conical shape of the seal, the cord 22 is forced towards the opening of the conical seal 38 as its circumference is reduced. There are waterproof seams 18 where the seal attaches to the garment 20.

30

Figs 3, 4, 5 and 6 show various configurations of the cord 22, material band 24 and cord lock

32, with inner layer 14 and outer layer 12 removed for clarity.

Fig. 3 shows how the material band 24 can be substantially less than half the circumference of the opening of the conical seal 38. In this form the circumference of the opening of the conical seal 38 can be reduced the most as the cord 22 can be reduced in length the greatest by pulling it through the cord lock 32. It is only where the cord 22 passes through the loops 42 in the material band 24 that can't be pulled through the cord holes 26.

Fig. 4 shows how the material band 24 can be approximately half the circumference of the opening of the conical seal 38. In this form the circumference of the opening of the conical seal 38 can be reduced by approximately half by pulling it through the cord lock 32, since loops in the material band 24, that the cord 22 passes through, can't be pulled through the cord holes 26.

Fig. 5 shows how limiters 30 can be placed along the cord 22 in 2 positions so that the minimum circumference of the conical seal 38 can be regulated. The limiters 30 are unable to be pulled through the grommet 28 reinforced cord holes 26 as the cord 22 is pulled through the cord lock 32.

Fig. 6 shows how the material band 24 can be made the same length as the minimum required circumference of the opening of the conical seal 38 and as such the loops in the material band act as limiters as they cannot be pulled through the grommet 28 reinforced cord holes 26.

Fig. 7 shows material band 24 being adjustable. In this configuration, material band 24 has a free end 46 and Velcro (hook and loop) fastener 48. Free end 46 of material band 24 goes around the cord 22 and is adjustably attached to the material band 24 using Velcro (hook and loop) fastener. It will be apparent to one skilled in the art, that the adjustment feature could be done in numerous other ways. For example, one could use buckles and belts similar to a baseball cap adjustment.

30

Advantages:

[0021] Adjustable diameter circumference seal 10 is believed to provide a number of advantages over the prior art adjustable diameter circumference seal of Vidal:

[0022] 1. With Vidal it is possible for an inexperienced user to over-tighten the cord around their neck. This creates a potential choking hazard. The preferred embodiment of adjustable diameter circumference seal 10 has limiters that prevent over-tightening of the cord.

[0023] 2. With Vidal the positioning of the cord is not controlled. The preferred embodiment of adjustable diameter circumferential seal 10 has a narrowing to which cord migrates.

10 [0024] 3. The preferred version of adjustable diameter circumferential seal 10 has a relatively wider portion and a relatively narrower portion. It is easier to get into and out of a garment that has a relatively wider portion.

[0025] 4. If the cord should break, adjustable diameter circumferential seal 10 will fail. In applications where complete immersion occurs, such as deep water diving, a failure of adjustable diameter circumferential seal 10 may put the wearer at risk. The preferred version of adjustable diameter circumferential seal 10 has drainage openings, as well as provision for inspection of the condition of the cord.

[0026] In this patent document, the word "comprising" is used in its non-limiting sense to mean that items following the word are included, but items not specifically mentioned are not excluded. A reference to an element by the indefinite article "a" does not exclude the possibility that more than one of the element is present, unless the context clearly requires that there be one and only one of the elements.

25 [0027] The scope of the claims should not be limited by the illustrated embodiments set forth as examples, but should be given the broadest interpretation consistent with a purposive construction of the claims in view of the description as a whole.

What is Claimed is:

1. An adjustable circumference seal, comprising:
 - 5 an envelope having an outer layer and an inner layer, the inner layer defining a sealing surface;
 - a circumferential closure for constricting the inner layer of the envelope and thereby adjusting a circumference of the inner layer of the envelope, the closure comprising:
 - 10 a band having a first end and a second end, with a first cord guide at the first end and a second cord guide at the second end;
 - at least one cord channel in the envelope;
 - a cord threaded from the outer layer of the envelope through the at least one cord channel, through the first cord guide of the band, through the second cord guide of the band and back through the at least one cord channel to the outer layer of the envelope, such that, by pulling the cord, the circumference of the inner layer of the envelope is reduced until
 - 15 the sealing surface is brought into a sealing engagement; and
 - at least one fastener for maintaining the cord in a selected position.
 2. The adjustable circumference seal of Claim 1, wherein the inner layer and the outer layer are formed from a sheet of material that is folded, creating a space between the inner layer and the outer layer, the band being positioned in the space between the inner layer and the outer layer.
 3. The adjustable circumference seal of Claim 2, wherein the at least one cord channel is comprised of an opening through the outer layer of the envelope which communicates with the space between the inner layer and the outer layer.
 4. The adjustable circumference seal of Claim 1, wherein the envelope has a narrow portion of a diameter that is relatively narrower than a diameter of a balance of the envelope.
 5. The adjustable circumference seal of Claim 1, wherein the first cord guide is a loop

and the second cord guide is a loop.

6. The adjustable circumference seal of Claim 2, wherein the envelope has drainage openings in the outer layer to facilitate drainage from the envelope.

5

7. The adjustable circumference seal of Claim 2, wherein the envelope has inspection openings extending through the outer layer to facilitate inspection of that portion of the cord positioned under the outer layer.

10 8. The adjustable circumference seal of Claim 3, wherein limiting devices that are mounted on the cord in the space between the inner layer and the outer layer, the limiting devices being incapable of passing through the at least one cord channel, thereby setting a minimum circumference adjustment.

15 9. The adjustable circumference seal of Claim 1, wherein a length of the band is adjustable.

10. The adjustable circumference seal of Claim 1, wherein the first end and the second end of the band serve as limiters, the first end and the second end of the band being incapable
20 of passing through the at least one cord channel, thereby setting a minimum circumference adjustment.

11. The adjustable circumference seal of Claim 1, wherein the band is fixed to the envelope.

25

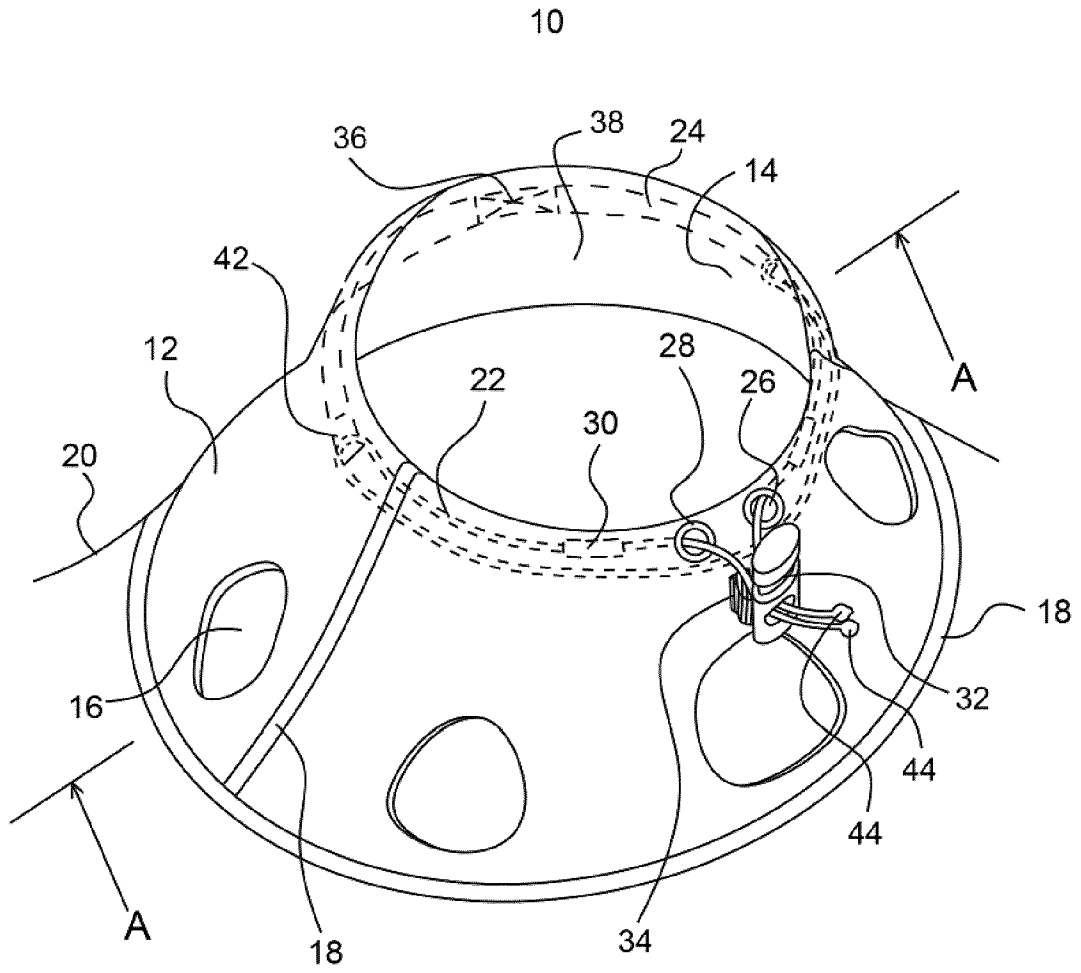


FIG.1

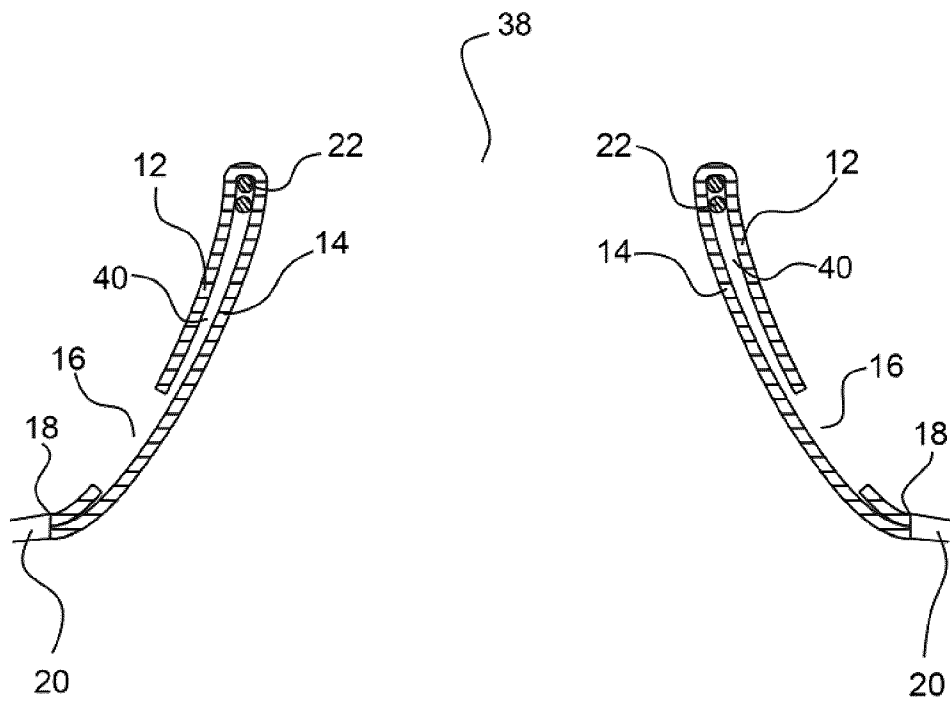


FIG.2

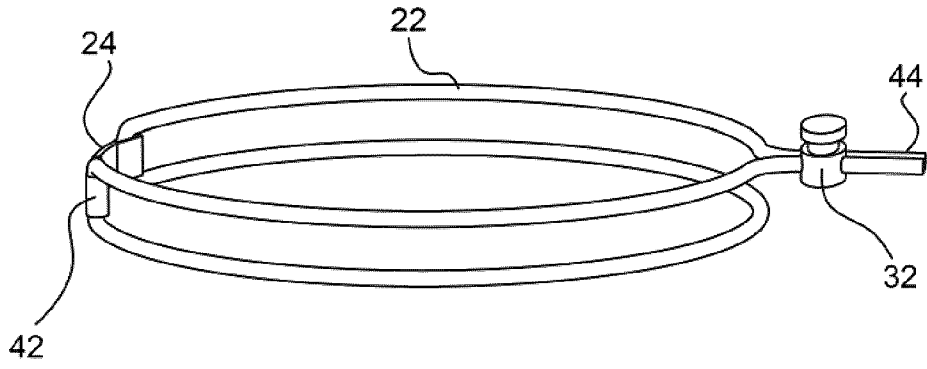


FIG.3

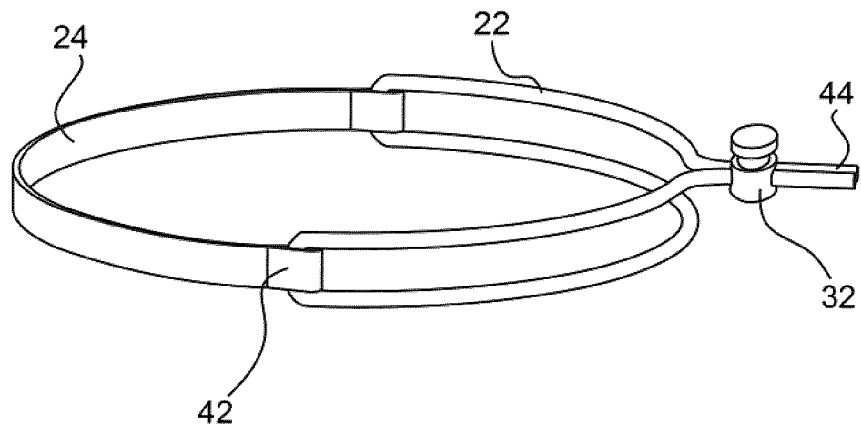


FIG.4

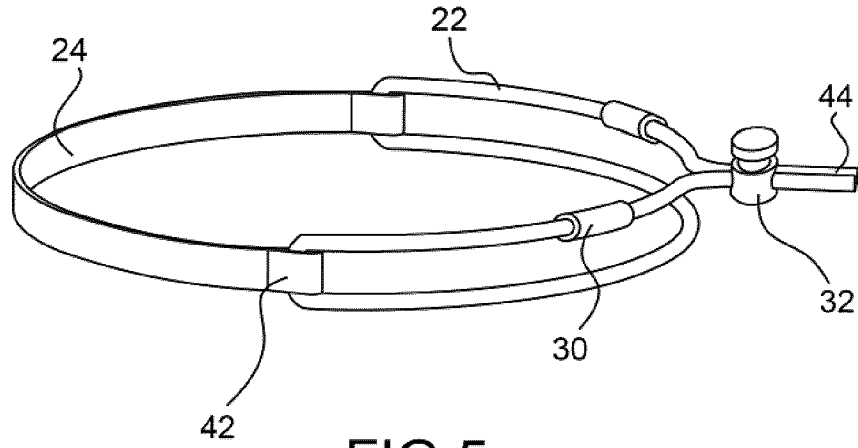


FIG. 5

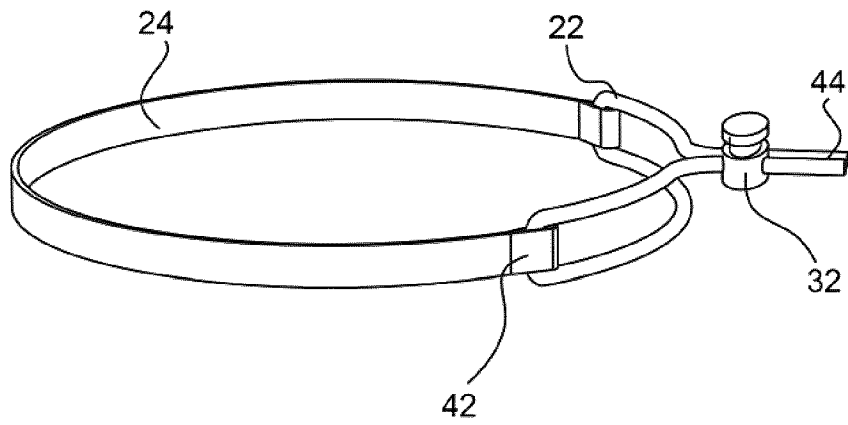


FIG. 6

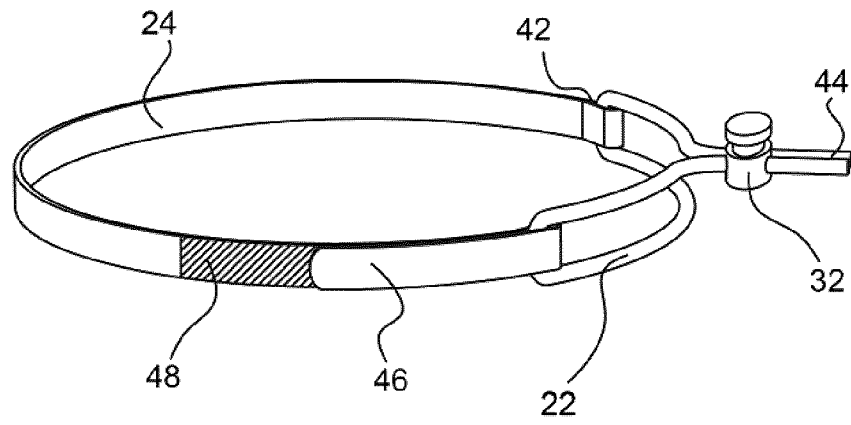


FIG. 7

INTERNATIONAL SEARCH REPORT

International application No.

PCT/CA2015/050716

A. CLASSIFICATION OF SUBJECT MATTER
 IPC: *A41D 13/012* (2006.01), *A41D 13/00* (2006.01), *A41D 27/00* (2006.01), *A41D 27/16* (2006.01),
B63C 11/02 (2006.01), *B63C 11/10* (2006.01), *B63C 9/13* (2006.01)

B. FIELDS SEARCHED

Minimum documentation searched (classification system followed by classification symbols)

IPC: A41D, A41D 13/012 (2006.01), A41D 13/00 (2006.01), A41D 27/00 (2006.01), A41D 27/16 (2006.01), B63C 11/02 (2006.01), B63C 11/10 (2006.01), B63C 9/13 (2006.01), A41B 7/00 (2006.01), A41D 27/18 (2006.01), A41B 3/00 (2006.01), B63C 11/04 (2006.01), A41D 3/02 (2006.01)

Documentation searched other than minimum documentation to the extent that such documents are included in the fields searched

Electronic database(s) consulted during the international search (name of database(s) and, where practicable, search terms used)

Databases: Canadian Patent Database (CPD), Questel Orbit (Fampat), Google Patents, Google Search Engine

Keywords: seal, neck, opening, tight, tightening, cord, band, strip, elastic, fasten, lock, closure, close, channel, guide, cuff, collar, garment, adjust

C. DOCUMENTS CONSIDERED TO BE RELEVANT

Category*	Citation of document, with indication, where appropriate, of the relevant passages	Relevant to claim No.
A	US 6668386 B2 (VIDAL, N.) 30 December 2003 (30-12-2003) *Whole Document*	1
A	US 5802609 A (GAROFALO, G.) 08 September 1998 (08-09-1998) *Whole Document*	
A	GB 2242816 A (BROWN, C. J., et al.) 16 October 1991 (16-10-1991) *Whole Document*	
A	US 4800595 A (ASKEW, R. J.) 31 January 1989 (31-01-1989) *Whole Document*	
A	US 5136721 A (FARNWORTH, B., et al.) 11 August 1992 (11-08-1992) *Whole Document*	

Further documents are listed in the continuation of Box C.

See patent family annex.

* Special categories of cited documents:	"T" later document published after the international filing date or priority date and not in conflict with the application but cited to understand the principle or theory underlying the invention
"A" document defining the general state of the art which is not considered to be of particular relevance	"X" document of particular relevance; the claimed invention cannot be considered novel or cannot be considered to involve an inventive step when the document is taken alone
"E" earlier application or patent but published on or after the international filing date	"Y" document of particular relevance; the claimed invention cannot be considered to involve an inventive step when the document is combined with one or more other such documents, such combination being obvious to a person skilled in the art
"L" document which may throw doubts on priority claim(s) or which is cited to establish the publication date of another citation or other special reason (as specified)	"&" document member of the same patent family
"O" document referring to an oral disclosure, use, exhibition or other means	
"P" document published prior to the international filing date but later than the priority date claimed	

Date of the actual completion of the international search
02 September 2015 (02-09-2015)

Date of mailing of the international search report
30 October 2015 (30-10-2015)

Name and mailing address of the ISA/CA
 Canadian Intellectual Property Office
 Place du Portage I, C114 - 1st Floor, Box PCT
 50 Victoria Street
 Gatineau, Quebec K1A 0C9
 Facsimile No.: 001-819-953-2476

Authorized officer

Genevieve Scott (819) 953-1627

INTERNATIONAL SEARCH REPORT
Information on patent family members

International application No.
PCT/CA2015/050716

Patent Document Cited in Search Report	Publication Date	Patent Family Member(s)	Publication Date
US6668386B2	30 December 2003 (30-12-2003)	US2003192108A1 CA2381720A1 CA2381720C	16 October 2003 (16-10-2003) 15 October 2003 (15-10-2003) 25 July 2006 (25-07-2006)
US5802609A	08 September 1998 (08-09-1998)	EP0701782A1 ITGE950002V0 ITGE950002U1 IT239268Y1 ITGE940103D0 ITGE940103A1 IT1268574B1	20 March 1996 (20-03-1996) 11 January 1995 (11-01-1995) 11 July 1996 (11-07-1996) 26 February 2001 (26-02-2001) 14 September 1994 (14-09-1994) 14 March 1996 (14-03-1996) 04 March 1997 (04-03-1997)
GB2242816A	16 October 1991 (16-10-1991)	GB9002443D0	04 April 1990 (04-04-1990)
US4800595A	31 January 1989 (31-01-1989)	CA1294739C	28 January 1992 (28-01-1992)
US5136721A	11 August 1992 (11-08-1992)	None	