



US000001855H

United States Statutory Invention Registration [19] Design

Litton et al.

[11] **Reg. Number:** **H1,855**

[45] **Published:** **Aug. 1, 2000**

[54] **COMPACT CASE**

[75] Inventors: **Garfield Litton**, Glenrock, N.J.;
Douglas Brian Silady, Edison, N.J.

[73] Assignee: **Revlon Consumer Products Corporation**, New York, N.Y.

[21] Appl. No.: **29/078,189**

[22] Filed: **Oct. 20, 1997**

[51] **LOC (7) Cl.** **28-03**

[52] **U.S. Cl.** **D28/82; D28/82**

[58] **Field of Search** D28/76, 77; D9/341,
D9/503, 504, 549, 423, 418; 132/293-307,
314; 206/235, 581, 823; 220/DIG. 26, 377

[56] **References Cited**

U.S. PATENT DOCUMENTS

D. 63,504	12/1923	Slater	D28/82
D. 153,938	5/1949	Graham	D28/77
D. 245,862	9/1977	Bullock et al.	D9/503 X
D. 277,791	2/1985	Schefer	D28/82
D. 373,220	8/1996	Lund et al.	
D. 388,549	12/1997	Mouyiaris et al.	D28/82
1,103,859	7/1914	Austin	220/4.21
1,592,136	7/1926	Davis	
1,599,652	9/1926	Cranston	
1,959,629	5/1934	Kasdan et al.	
2,033,295	3/1936	Parkin	
2,141,328	12/1938	Younghusband	132/293
2,215,309	9/1940	Zell	
2,421,646	6/1947	Pepin	
2,449,196	9/1948	Bent	
3,911,936	10/1975	Kingsford	
4,454,889	6/1984	Contreras, Sr.	
4,569,438	2/1986	Sheffler	
4,586,519	5/1986	Seidler et al.	
4,681,127	7/1987	Gueret	
4,781,288	11/1988	Wing	
5,135,012	8/1992	Kamen et al.	
5,205,431	4/1993	Zinnbauer	206/581 X
5,246,133	9/1993	James	220/377
5,669,400	9/1997	Sheffler et al.	206/581 X
5,709,232	1/1998	Sheffler et al.	132/295

FOREIGN PATENT DOCUMENTS

660447	4/1987	Switzerland	132/316
451222	7/1936	United Kingdom	

OTHER PUBLICATIONS

U.S. Application No. 29/074,712, filed Jul. 28, 1997: Compact Case, Garfield Litton.

U.S. Application No. 29/076,949, filed Sep. 19, 1997: Compact Case, Garfield Litton.

Avon C-21 1980, p. 86.

The American Boutique, Christmas 1979, p. 25: face gloss compacts, items E, F and G.

Avon, C-11 1982, p. 57—lip gloss compacts at top of page.

Drug and Cosmetic Industry 4/1984, p. 58—compact on upper left shown by arrow.

Modern Salon, 9/1987, p. 195—round compact indicated by arrow.

Primary Examiner—Harold J. Tudor

Attorney, Agent, or Firm—Julie Blackburn

[57] **CLAIM**

The ornamental design for a compact case, as shown and described.

DESCRIPTION

FIG. 1 is a front perspective view of the compact case.

FIG. 2 is a top plan view of the compact case.

FIG. 3 is a right side elevational view of the compact case.

FIG. 4 is a left side elevational view of the compact case; and,

FIG. 5 is a bottom plan view of the compact case.

1 Claim, 2 Drawing Sheets

A statutory invention registration is not a patent. It has the defensive attributes of a patent but does not have the enforceable attributes of a patent. No article or advertisement or the like may use the term patent, or any term suggestive of a patent, when referring to a statutory invention registration. For more specific information on the rights associated with a statutory invention registration see 35 U.S.C. 157.

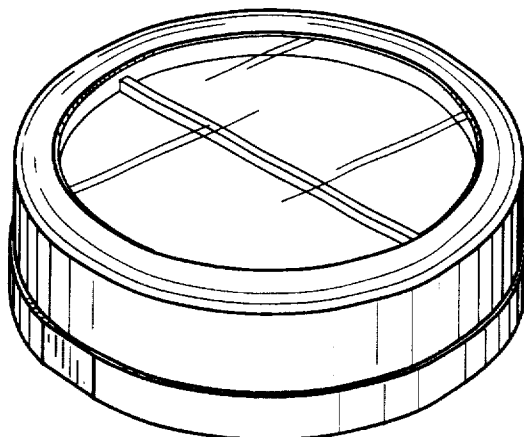


FIG. 1

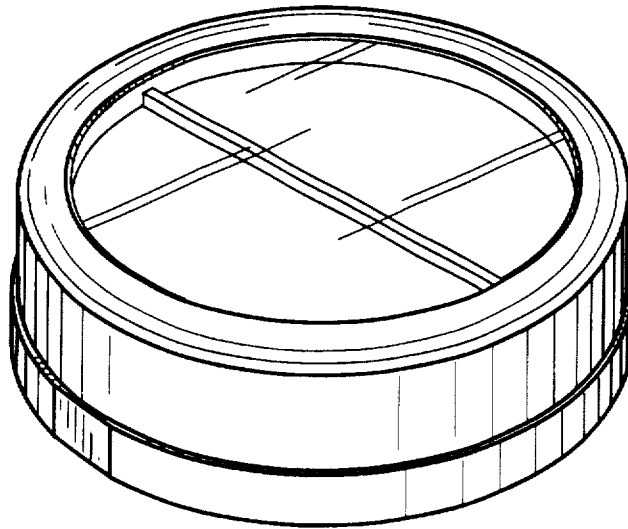


FIG. 2

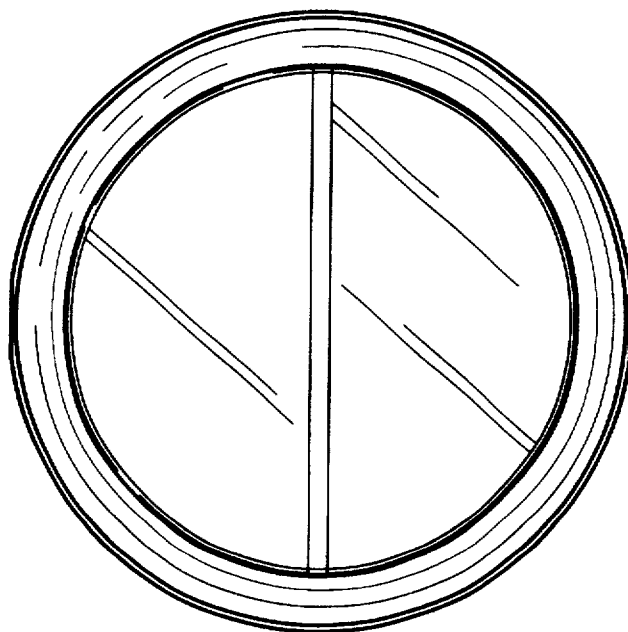


FIG. 3

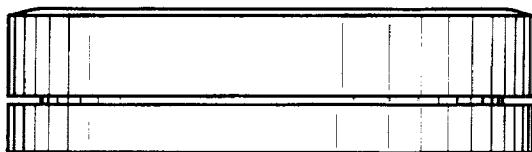


FIG. 4

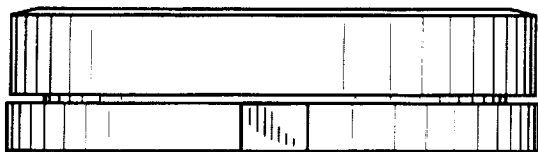


FIG. 5

