



- (51) International Patent Classification: *B06B 3/00* (2006.01) *C12N 13/00* (2006.01)
- (21) International Application Number: PCT/US2012/029051
- (22) International Filing Date: 14 March 2012 (14.03.2012)
- (25) Filing Language: English
- (26) Publication Language: English
- (30) Priority Data: 61/452,683 15 March 2011 (15.03.2011) US
- (71) Applicant (for all designated States except US): **E. I. DU PONT DE NEMOURS AND COMPANY** [US/US]; 1007 Market Street, Wilmington, DE 19898 (US).
- (72) Inventor; and
- (75) Inventor/Applicant (for US only): **HARDING, Thomas** [US/US]; 1312 Quincy Drive, Wilmington, DE 19803 (US).
- (74) Agents: **SAFRAN, Jeffrey, B.** et al.; Potter Anderson & Corroon LLP, P.O. Box 951, 1313 N. Market Street, Wilmington, DE 19899-0951 (US).
- (81) Designated States (unless otherwise indicated, for every kind of national protection available): AE, AG, AL, AM, AO, AT, AU, AZ, BA, BB, BG, BH, BR, BW, BY, BZ, CA, CH, CL, CN, CO, CR, CU, CZ, DE, DK, DM, DO, DZ, EC, EE, EG, ES, FI, GB, GD, GE, GH, GM, GT, HN, HR, HU, ID, IL, IN, IS, JP, KE, KG, KM, KN, KP, KR, KZ, LA, LC, LK, LR, LS, LT, LU, LY, MA, MD, ME, MG, MK, MN, MW, MX, MY, MZ, NA, NG, NI, NO, NZ, OM, PE, PG, PH, PL, PT, QA, RO, RS, RU, RW, SC, SD, SE, SG, SK, SL, SM, ST, SV, SY, TH, TJ, TM, TN, TR, TT, TZ, UA, UG, US, UZ, VC, VN, ZA, ZM, ZW.
- (84) Designated States (unless otherwise indicated, for every kind of regional protection available): ARIPO (BW, GH, GM, KE, LR, LS, MW, MZ, NA, RW, SD, SL, SZ, TZ, UG, ZM, ZW), Eurasian (AM, AZ, BY, KG, KZ, MD, RU, TJ, TM), European (AL, AT, BE, BG, CH, CY, CZ, DE, DK, EE, ES, FI, FR, GB, GR, HR, HU, IE, IS, IT, LT, LU, LV, MC, MK, MT, NL, NO, PL, PT, RO, RS, SE, SI, SK,

[Continued on next page]

(54) Title: DEVICES FOR SHEARING NUCLEIC ACIDS AND PARTICULATES IN SYRINGE OR VIAL

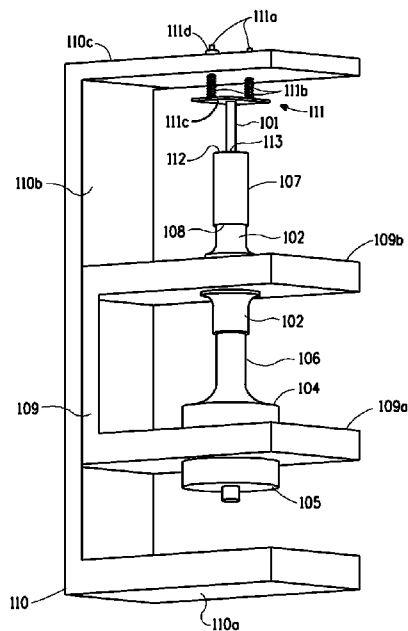


FIG. 1

(57) Abstract: Disclosed herein are processes for collecting nucleic acids from particulate samples. One embodiment disclosed herein relates to the use of ultrasonic energy to simultaneously shear large nucleic acid molecules and large particulates to very small sizes prior to or during a chemical binding step to a nucleic acid binding surface. Another embodiment involves crushing the nucleic acid binding surface prior to eluting the bound nucleic acid molecules to enable better wetting of the nucleic acid binding surface and easier diffusion of bound nucleic acid molecules out of the nucleic acid binding surface.





SM, TR), OAPI (BF, BJ, CF, CG, CI, CM, GA, GN, GQ,
GW, ML, MR, NE, SN, TD, TG).

— before the expiration of the time limit for amending the
claims and to be republished in the event of receipt of
amendments (Rule 48.2(h))

Published:

— with international search report (Art. 21(3))

(88) Date of publication of the international search report:

3 January 2013

INTERNATIONAL SEARCH REPORT

International application No
PCT/US2012/029051

A. CLASSIFICATION OF SUBJECT MATTER
INV. B06B3/00 C12N13/00
ADD.

According to International Patent Classification (IPC) or to both national classification and IPC

B. FIELDS SEARCHED

Minimum documentation searched (classification system followed by classification symbols)
C12N B06B C12M

Documentation searched other than minimum documentation to the extent that such documents are included in the fields searched

Electronic data base consulted during the international search (name of data base and, where practicable, search terms used)

EPO-Internal, WPI Data

C. DOCUMENTS CONSIDERED TO BE RELEVANT

Category*	Citation of document, with indication, where appropriate, of the relevant passages	Relevant to claim No.
X Y A	US 6 686 195 B1 (COLIN BRUNO [FR] ET AL) 3 February 2004 (2004-02-03) column 4, line 60 - column 7, line 16; claim 1; figures 1-2	1-3,6,7, 12 4,5 8-11
X A	US 2003/047583 A1 (KYOMASU RYUICHI [JP] ET AL) 13 March 2003 (2003-03-13) paragraphs [0032] - [0037]; figures 1,4	1,7 8-11
X A	US 3 357 641 A (MARTNER JOHN G) 12 December 1967 (1967-12-12) column 2, lines 26-67; figures 1-2 column 5, lines 29-33; figure 5A	1,2,6,12 8-11
	----- -/--	

Further documents are listed in the continuation of Box C.

See patent family annex.

* Special categories of cited documents :

"A" document defining the general state of the art which is not considered to be of particular relevance

"E" earlier application or patent but published on or after the international filing date

"L" document which may throw doubts on priority claim(s) or which is cited to establish the publication date of another citation or other special reason (as specified)

"O" document referring to an oral disclosure, use, exhibition or other means

"P" document published prior to the international filing date but later than the priority date claimed

"T" later document published after the international filing date or priority date and not in conflict with the application but cited to understand the principle or theory underlying the invention

"X" document of particular relevance; the claimed invention cannot be considered novel or cannot be considered to involve an inventive step when the document is taken alone

"Y" document of particular relevance; the claimed invention cannot be considered to involve an inventive step when the document is combined with one or more other such documents, such combination being obvious to a person skilled in the art

"&" document member of the same patent family

Date of the actual completion of the international search	Date of mailing of the international search report
9 November 2012	21/11/2012

Name and mailing address of the ISA/ European Patent Office, P.B. 5818 Patentlaan 2 NL - 2280 HV Rijswijk Tel. (+31-70) 340-2040, Fax: (+31-70) 340-3016	Authorized officer Trique, Michael
--	---

INTERNATIONAL SEARCH REPORT

International application No
PCT/US2012/029051

C(Continuation). DOCUMENTS CONSIDERED TO BE RELEVANT

Category*	Citation of document, with indication, where appropriate, of the relevant passages	Relevant to claim No.
X	WO 99/36249 A1 (TETRA LAVAL HOLDINGS & FINANCE [CH]; LINDBLAD ULF [SE]; RAABE MAGNUS []) 22 July 1999 (1999-07-22)	1,2,12
A	page 5, line 25 - page 6, line 7; figure 1 column 8, lines 1-24	8-11
Y	----- US 2007/231346 A1 (BABAEV EILAZ P [US]) 4 October 2007 (2007-10-04)	4,5
A	paragraphs [0041] - [0042]; figures 1-4 -----	8-12

INTERNATIONAL SEARCH REPORT

Information on patent family members

International application No PCT/US2012/029051

Patent document cited in search report	Publication date	Patent family member(s)	Publication date
US 6686195	B1	03-02-2004	AT 268376 T 15-06-2004
			AU 763480 B2 24-07-2003
			AU 3664900 A 23-10-2000
			CA 2365493 A1 12-10-2000
			DE 60011253 D1 08-07-2004
			DE 60011253 T2 07-07-2005
			EP 1165748 A1 02-01-2002
			EP 1466966 A1 13-10-2004
			ES 2222190 T3 01-02-2005
			FR 2791697 A1 06-10-2000
			JP 2002540783 A 03-12-2002
			US 6686195 B1 03-02-2004
			WO 0060049 A1 12-10-2000

US 2003047583	A1	13-03-2003	NONE

US 3357641	A	12-12-1967	NONE

WO 9936249	A1	22-07-1999	AU 2081799 A 02-08-1999
			DE 69806069 D1 18-07-2002
			DE 69806069 T2 26-09-2002
			EP 1064144 A1 03-01-2001
			JP 4253440 B2 15-04-2009
			JP 2002509040 A 26-03-2002
			SE 518760 C2 19-11-2002
			SE 9800120 A 20-07-1999
			US 6396195 B1 28-05-2002
			WO 9936249 A1 22-07-1999

US 2007231346	A1	04-10-2007	CN 101553250 A 07-10-2009
			EP 1998803 A2 10-12-2008
			JP 2009531454 A 03-09-2009
			US 2007231346 A1 04-10-2007
			US 2008095799 A1 24-04-2008
			WO 2007117964 A2 18-10-2007
