



US00D686264S

(12) **United States Design Patent**
Hoshi

(10) **Patent No.:** **US D686,264 S**

(45) **Date of Patent:** **** *Jul. 16, 2013**

(54) **TELESCOPE**

(75) Inventor: **Tomohiro Hoshi**, Tokyo (JP)

(73) Assignee: **Nikon Corporation**, Tokyo (JP)

(*) Notice: This patent is subject to a terminal disclaimer.

(**) Term: **14 Years**

(21) Appl. No.: **29/413,276**

(22) Filed: **Feb. 14, 2012**

(30) **Foreign Application Priority Data**

Aug. 18, 2011 (JP) 2011-018823

(51) **LOC (9) Cl.** **16-06**

(52) **U.S. Cl.**
USPC **D16/132**

(58) **Field of Classification Search**
USPC D16/130, 132, 136; D13/133; 359/351,
359/399, 409, 367, 407, 815, 420; 250/330,
250/333, 338
See application file for complete search history.

(56) **References Cited**

U.S. PATENT DOCUMENTS

2,051,050	A *	8/1936	Langsner	359/426
D228,027	S *	7/1973	Heckel	D16/132
D247,625	S *	3/1978	Huckenbeck	D16/132
D273,960	S *	5/1984	Kummer	D16/132
D274,336	S *	6/1984	Huckenbeck	D16/132
D285,698	S *	9/1986	Ogasawara	D16/132
D285,802	S *	9/1986	Ogasawara	D16/132
4,669,833	A *	6/1987	Mise	359/420
D300,039	S *	2/1989	Huckenbeck	D16/132
D378,095	S *	2/1997	Hasegawa	D16/203

5,737,131	A *	4/1998	Palmer	359/819
5,760,953	A *	6/1998	Task et al.	359/409
D407,369	S *	3/1999	Cormack	D13/133
D417,680	S *	12/1999	Diebel et al.	D16/132
D439,259	S *	3/2001	Yamaguchi	D16/132
6,337,768	B1 *	1/2002	Carmi et al.	359/399
7,648,291	B2 *	1/2010	Laganas et al.	396/530
D654,879	S *	2/2012	Li et al.	D13/170
D676,886	S *	2/2013	Hoshi	D16/132

FOREIGN PATENT DOCUMENTS

JP 1371526 10/2009

* cited by examiner

Primary Examiner — Paula Greene

(74) *Attorney, Agent, or Firm* — Wolf, Greenfield & Sacks, P.C.; Randy J. Pritzker

(57) **CLAIM**

The ornamental design for a telescope, as shown and described.

DESCRIPTION

FIG. 1 is a front, top, and left side perspective view of a telescope showing my new design;

FIG. 2 is a rear, bottom, and right side perspective view thereof;

FIG. 3 is a front view thereof;

FIG. 4 is a rear view thereof;

FIG. 5 is a top plan view thereof;

FIG. 6 is a bottom plan view thereof;

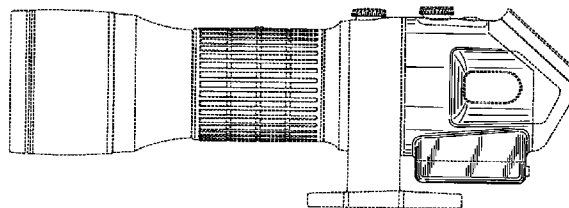
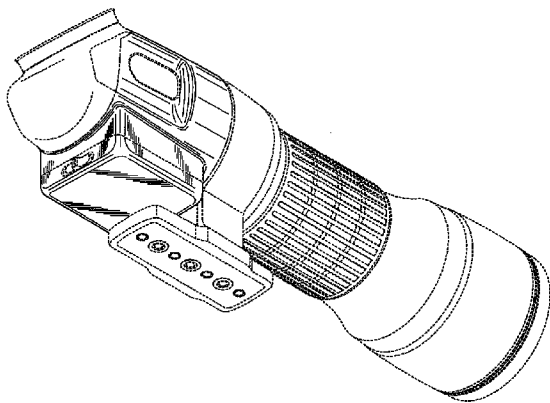
FIG. 7 is a right side view thereof; and,

FIG. 8 is a left side view thereof.

The features shown in broken lines depict environmental subject matter only and form no part of the claimed design.

The dash-dotted lines denote the boundary of the claim and form no part of the claimed design.

1 Claim, 7 Drawing Sheets



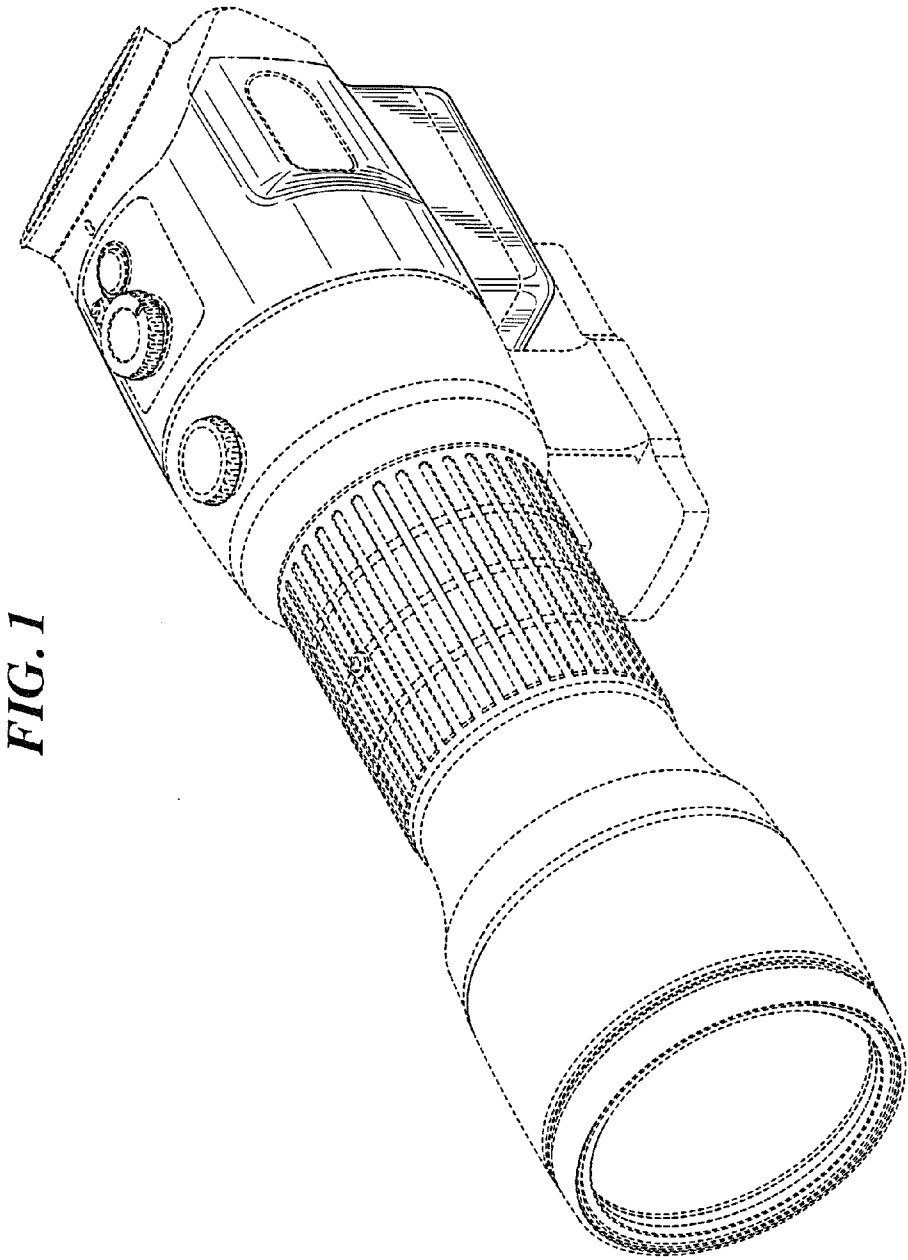


FIG. 1

FIG. 2

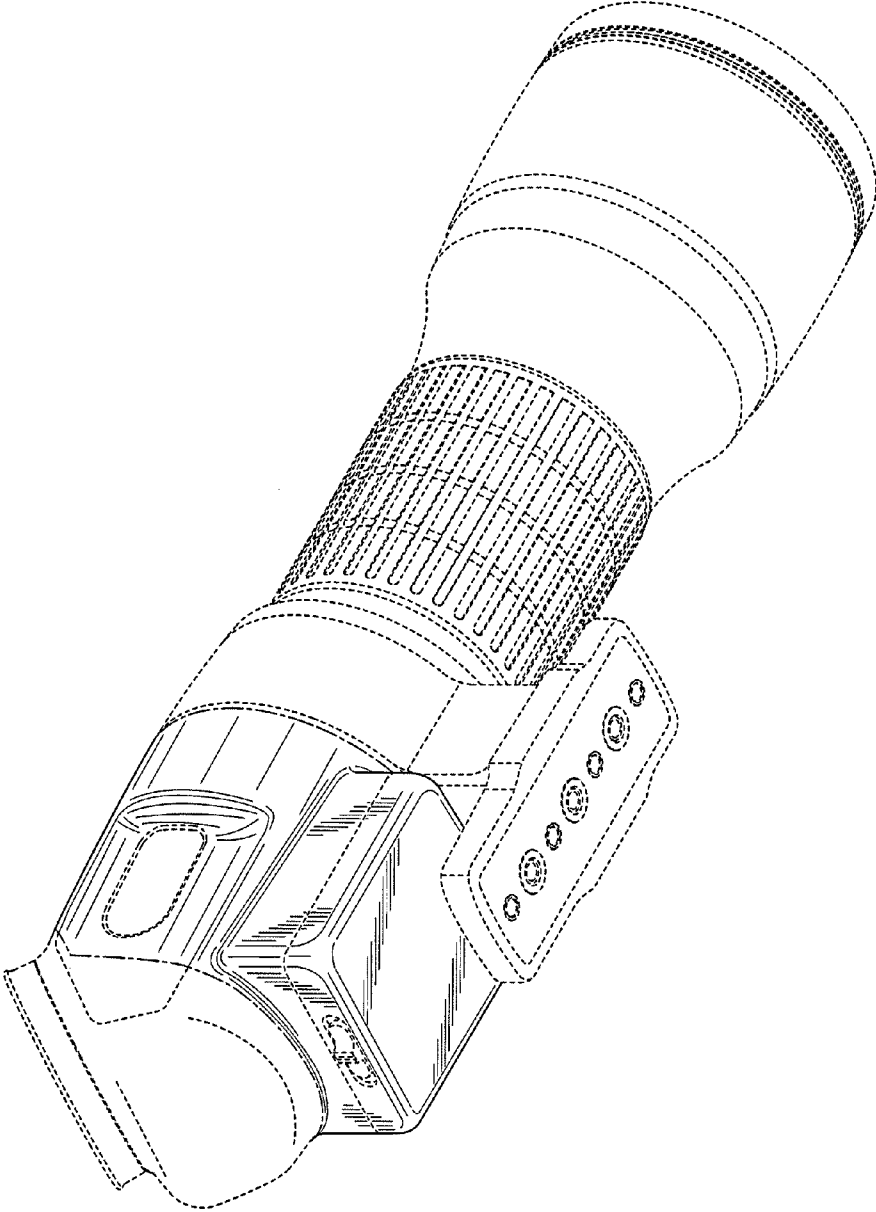


FIG. 3

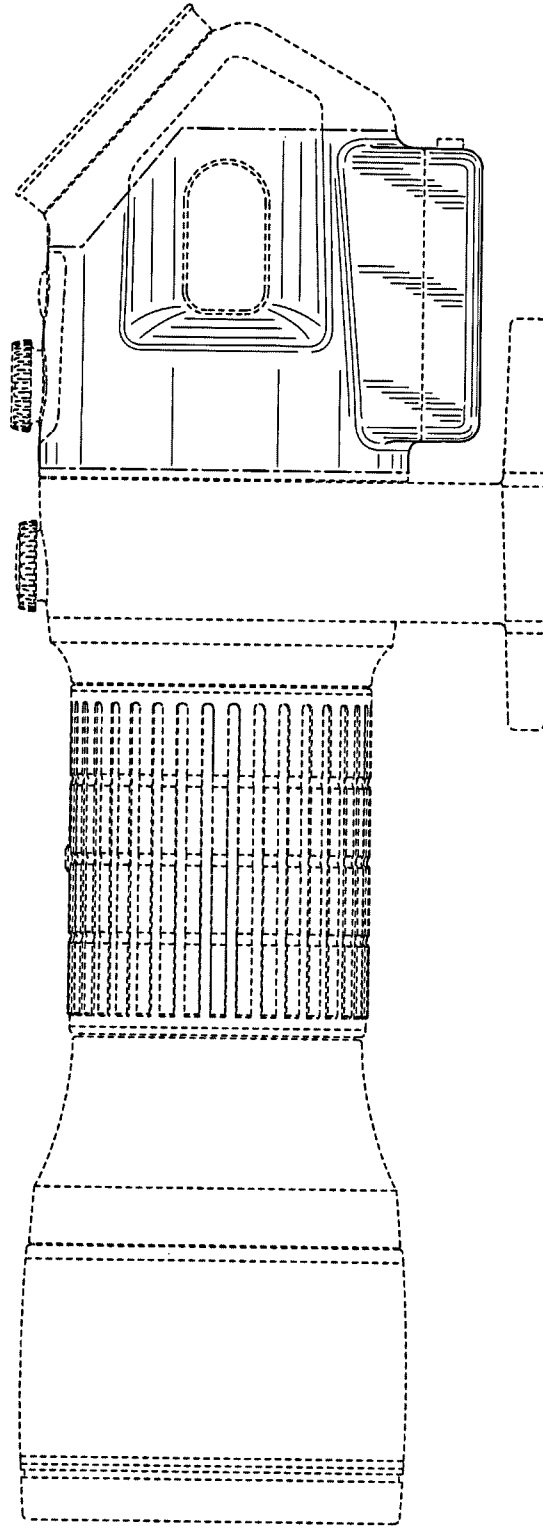
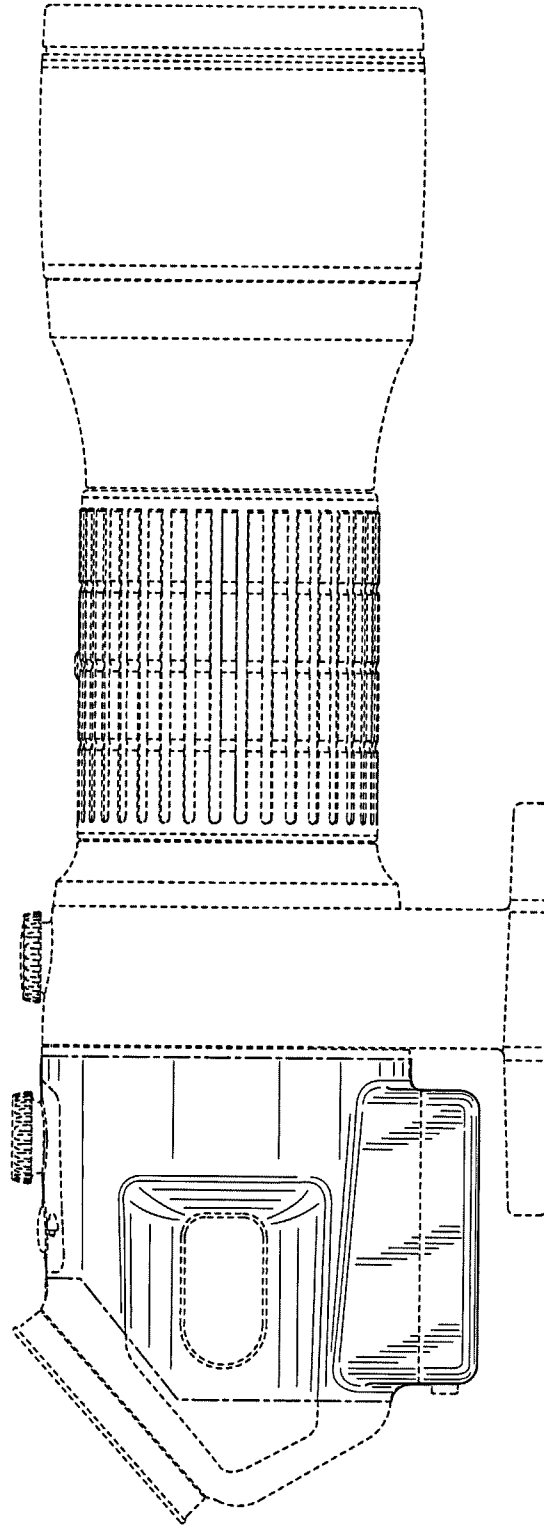


FIG. 4



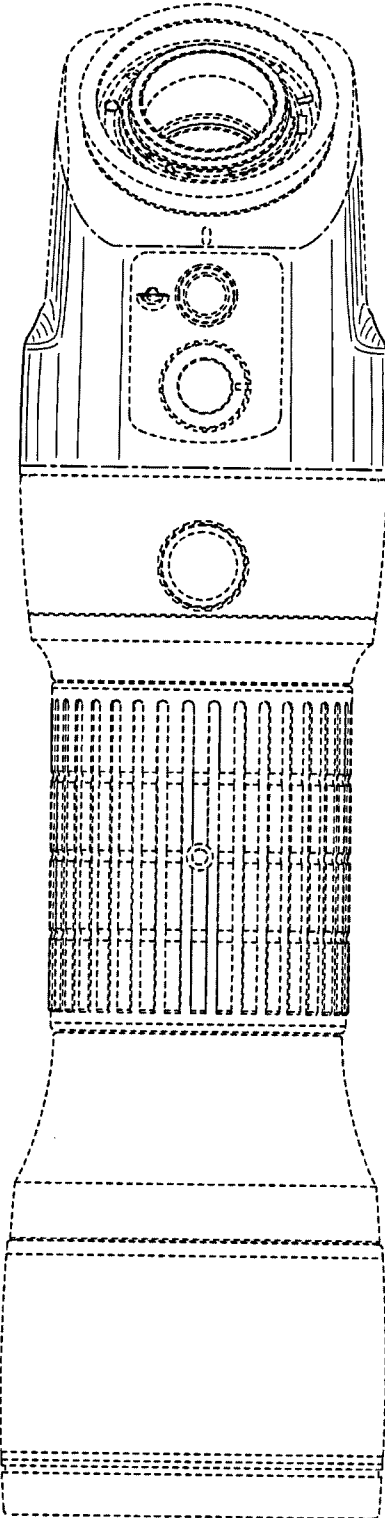


FIG. 5

FIG. 6

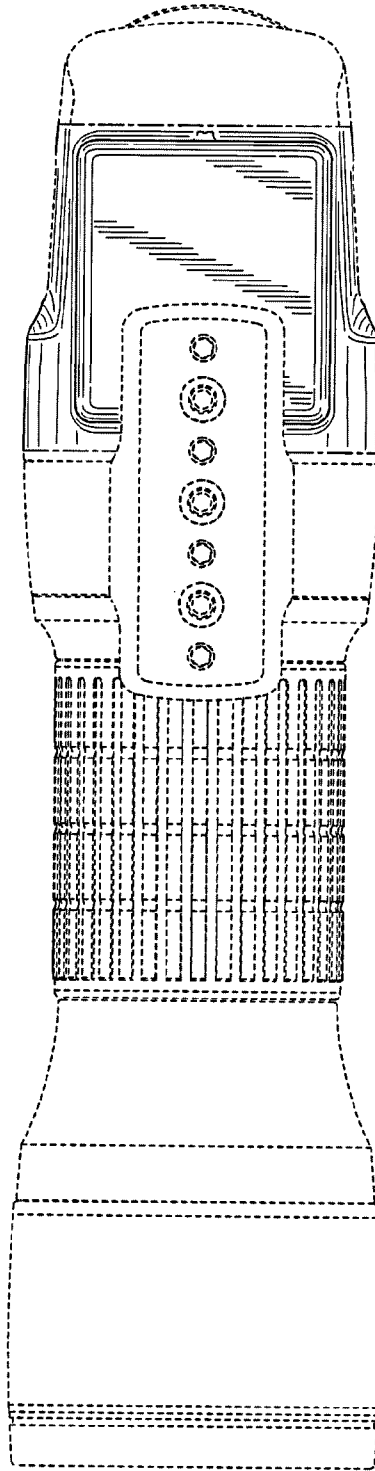


FIG. 7

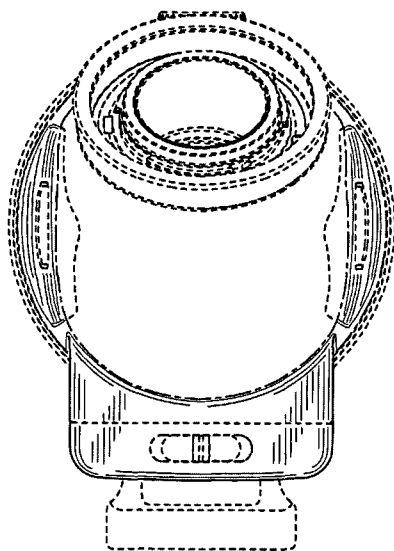


FIG. 8

