



US00D627185S

(12) **United States Design Patent**
Burroughs et al.

(10) **Patent No.:** **US D627,185 S**

(45) **Date of Patent:** **** Nov. 16, 2010**

(54) **MARTINI BOTTLE**

(75) Inventors: **Dillon Burroughs**, Beverly Hills, CA (US); **Ed Gilchrest**, Oxford, CT (US); **Ken Benson**, Southbury, CT (US)

(73) Assignee: **Chevalier Collection Ltd.**, Beverly Hills, CA (US)

(**) Term: **14 Years**

(21) Appl. No.: **29/359,451**

(22) Filed: **Apr. 12, 2010**

(51) **LOC (9) Cl.** **07-01**

(52) **U.S. Cl.** **D7/300; D7/300.1; D7/510; D7/537**

(58) **Field of Classification Search** **D7/300, D7/300.1, 524, 537, 507, 510, 511, 505; 99/277.1; 220/568, 375, 703, 508; 426/474; 215/6; 222/189.07**

See application file for complete search history.

(56) **References Cited**

U.S. PATENT DOCUMENTS

1,751,315	A *	3/1930	Fox	220/568
2,258,524	A *	10/1941	Vigurs	210/467
4,132,225	A *	1/1979	Whattam	600/576
D269,659	S *	7/1983	Holloway	D7/507
D348,802	S *	7/1994	Miller, III	D7/510
D378,975	S *	4/1997	Reid	D7/510
D429,603	S *	8/2000	Lipson	D7/507
7,225,920	B2 *	6/2007	Hoeffkes et al.	206/222
D550,083	S *	9/2007	Etheridge	D9/503

D563,724	S *	3/2008	Bodum	D7/524
7,614,512	B2 *	11/2009	Nader	215/6
7,614,614	B2 *	11/2009	Sabadicci et al.	261/76
D604,984	S *	12/2009	Kalamaras	D7/300.1
D609,972	S *	2/2010	Reeser et al.	D7/536

* cited by examiner

Primary Examiner—Marianne Pandozzi

(74) *Attorney, Agent, or Firm*—DeLio & Peterson, LLC; Peter W. Peterson

(57) **CLAIM**

The ornamental design for a martini bottle, as shown and described.

DESCRIPTION

FIG. 1 is a perspective view of a martini bottle showing our new design;

FIG. 2 is a top plan view of the martini bottle of this invention shown in FIG. 1;

FIG. 3 is a bottom plan view of the martini bottle of this invention shown in FIG. 1;

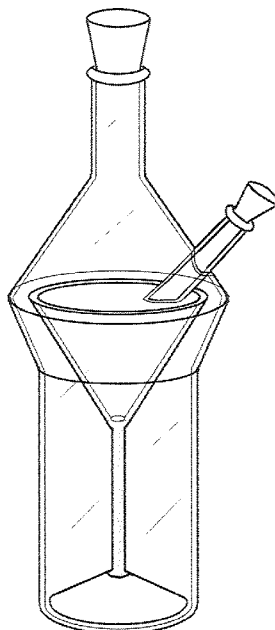
FIG. 4 is a front elevational view of the martini bottle of this invention shown in FIG. 1;

FIG. 5 is a rear elevational view of the martini bottle of this invention shown in FIG. 1;

FIG. 6 is a left side elevational view of the martini bottle of this invention shown in FIG. 1; and,

FIG. 7 is a right side elevational view of the martini bottle of this invention shown in FIG. 1.

1 Claim, 2 Drawing Sheets



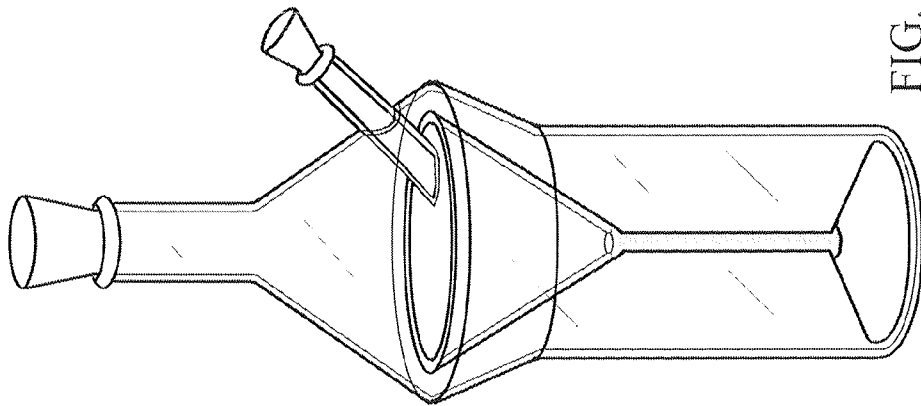


FIG. 1

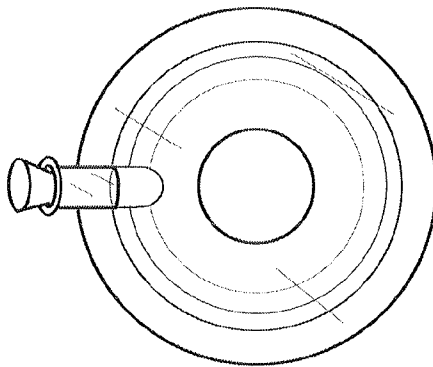


FIG. 2

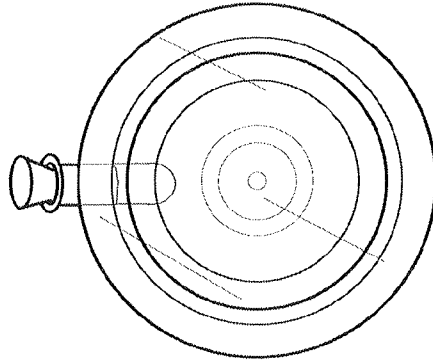


FIG. 3

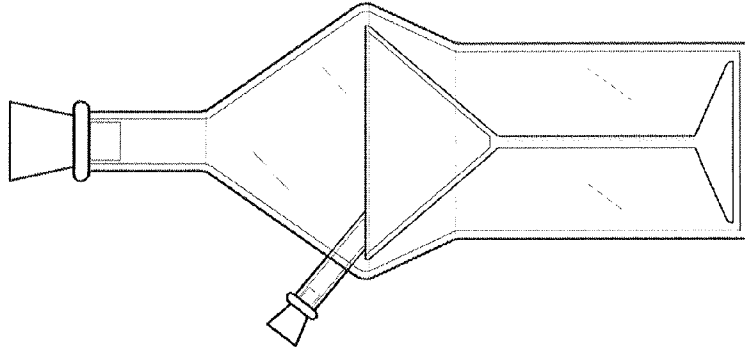


FIG. 7

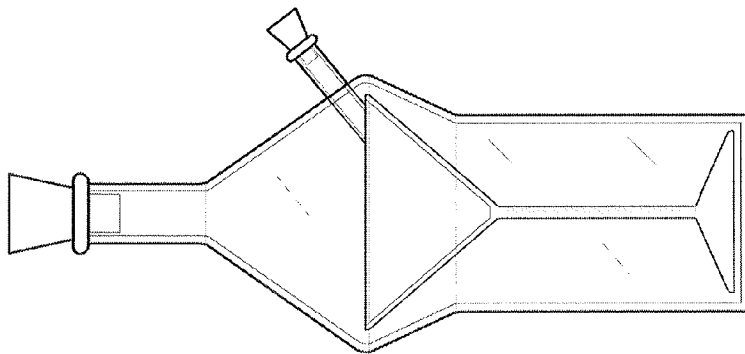


FIG. 6

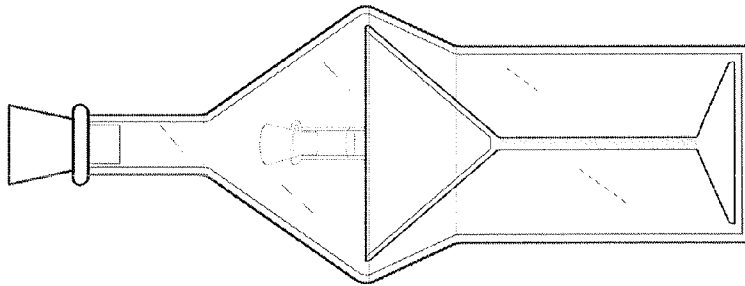


FIG. 5

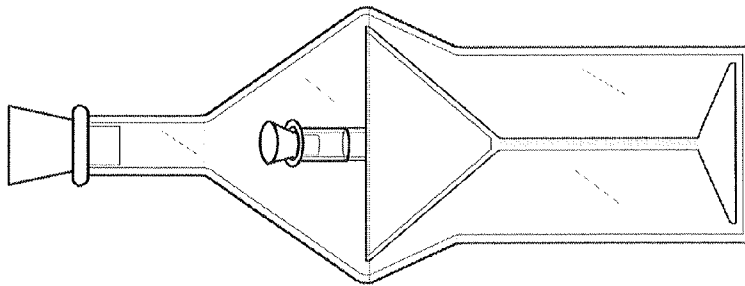


FIG. 4