



(12) **United States Design Patent**  
**Wood**

(10) **Patent No.:** **US D985,115 S**  
(45) **Date of Patent:** **\*\* May 2, 2023**

(54) **SLEEP APNEA NASAL PILLOWS DEVICE**

D878,545 S \* 3/2020 Scheiner ..... D24/110  
10,987,481 B2 \* 4/2021 Wood ..... A61M 16/0683  
2006/0283461 A1 12/2006 Lubke et al.

(71) Applicant: **REMSleep Holdings Inc**, Tampa, FL  
(US)

(Continued)

(72) Inventor: **Thomas Jackson Wood**, Waycross, GA  
(US)

**FOREIGN PATENT DOCUMENTS**

EM 000683396-0001 \* 5/2007  
JP D1430470 \* 12/2011

(73) Assignee: **REMSleep Holdings Inc.**, Tampa, FL  
(US)

**OTHER PUBLICATIONS**

(\*\*) Term: **15 Years**

ResMed Nasal Pillow. Jun. 6, 2017. Site visited Dec. 3, 2022.  
[https://www.amazon.com/ResMed-AirFit-Nasal-Pillows-Cushions/  
dp/B01N0SXUC4/ref=sr\_1\_2?keywords=sleep+apnea+nasal+pillow  
&qid=1670122899&srefix=sleep+apnea+nasal%2Caps%2C152  
&sr=8-2] (Year: 2017).\*

(21) Appl. No.: **29/763,547**

(22) Filed: **Dec. 23, 2020**

(Continued)

**Related U.S. Application Data**

(63) Continuation-in-part of application No. 15/595,990,  
filed on May 16, 2017, now Pat. No. 10,987,481.

*Primary Examiner* — Wendy L Arminio

*Assistant Examiner* — Maheen Khurshid

(51) **LOC (14) Cl.** ..... **29-02**

(74) *Attorney, Agent, or Firm* — Larson & Larson, P.A.;  
Frank Liebenow; Justin P. Miller

(52) **U.S. Cl.**

USPC ..... **D24/110.4**; D24/110.1

(57)

**CLAIM**

(58) **Field of Classification Search**

The ornamental design for a sleep apnea nasal pillows  
device, as shown and described.

USPC ..... D24/106, 108, 110, 110.1, 110.4, 110.5,  
D24/121, 127-129, 164, 184, 231

CPC ..... A61M 16/0683; A61M 16/0875; A61M  
16/0666; A61M 16/0605; A61M 16/0611;  
A61M 16/208; A61M 2205/42; A62B  
23/06

**DESCRIPTION**

See application file for complete search history.

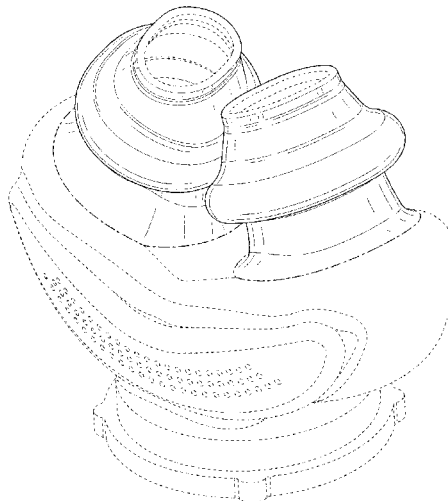
FIG. 1 is a perspective view of a sleep apnea nasal pillows  
device showing my new design;  
FIG. 2 is a top plan view thereof;  
FIG. 3 is a bottom plan elevation view thereof;  
FIG. 4 is a right-side elevation view thereof;  
FIG. 5 is a left-side elevation view thereof;  
FIG. 6 is a front elevation view thereof; and,  
FIG. 7 is a rear elevation view thereof.  
The dash-dash broken lines in the drawings depict portions  
of the sleep apnea nasal pillows device that form no part of  
the claimed design. The dot-dash broken lines in the draw-  
ings depict boundaries of the claimed design and form no  
part thereof.

(56) **References Cited**

**U.S. PATENT DOCUMENTS**

D612,933 S \* 3/2010 Prentice ..... D24/110.4  
D664,639 S \* 7/2012 Hoke ..... D24/108  
D674,480 S \* 1/2013 Prentice ..... D24/110.4  
D687,539 S \* 8/2013 Matula, Jr. .... D24/110.1  
D746,468 S \* 12/2015 Meadows ..... D24/106  
9,901,700 B2 \* 2/2018 McAuley ..... A61M 16/0611  
D863,540 S \* 10/2019 Collazo ..... D24/110.1  
D868,240 S \* 11/2019 Collazo ..... D24/110.1

**1 Claim, 6 Drawing Sheets**



(56)

**References Cited**

U.S. PATENT DOCUMENTS

2016/0015921 A1 1/2016 Harrison et al.  
2017/0143926 A1\* 5/2017 Allum ..... A61M 16/0816  
2017/0368285 A1\* 12/2017 Wood ..... A61M 16/0683  
2018/0078725 A1 3/2018 Richardson et al.  
2021/0213229 A1\* 7/2021 Wood ..... A61M 16/0666

OTHER PUBLICATIONS

Swift FX Pillow—Small by ResMed. Sep. 5, 2011. Site visited Dec. 3, 2022. [[https://www.amazon.com/Swift-FX-Nasal-Pillow-Small/dp/B005LAPE0K/ref=sr\\_1\\_69?keywords=sleep+apnea+nasal+pillow&qid=1670123402&srefix=sleep+apnea+nasal%2Caps%2C152&sr=8-69](https://www.amazon.com/Swift-FX-Nasal-Pillow-Small/dp/B005LAPE0K/ref=sr_1_69?keywords=sleep+apnea+nasal+pillow&qid=1670123402&srefix=sleep+apnea+nasal%2Caps%2C152&sr=8-69)] (Year: 2011).\*

Philips Respiroics. Sep. 19, 2018. Site visited Dec. 3, 2022. [[https://www.amazon.com/Philips-Respiroics-Nuance-Replacement-Pillows/dp/B07DGFH9MD/ref=sr\\_1\\_4?crd=2YHXIHO3Y7Q2E&keywords=nasal+pillow&qid=1670123733&srefix=nasal+pillow%2Caps%2C85&sr=8-4](https://www.amazon.com/Philips-Respiroics-Nuance-Replacement-Pillows/dp/B07DGFH9MD/ref=sr_1_4?crd=2YHXIHO3Y7Q2E&keywords=nasal+pillow&qid=1670123733&srefix=nasal+pillow%2Caps%2C85&sr=8-4)] (Year: 2018).\*

\* cited by examiner

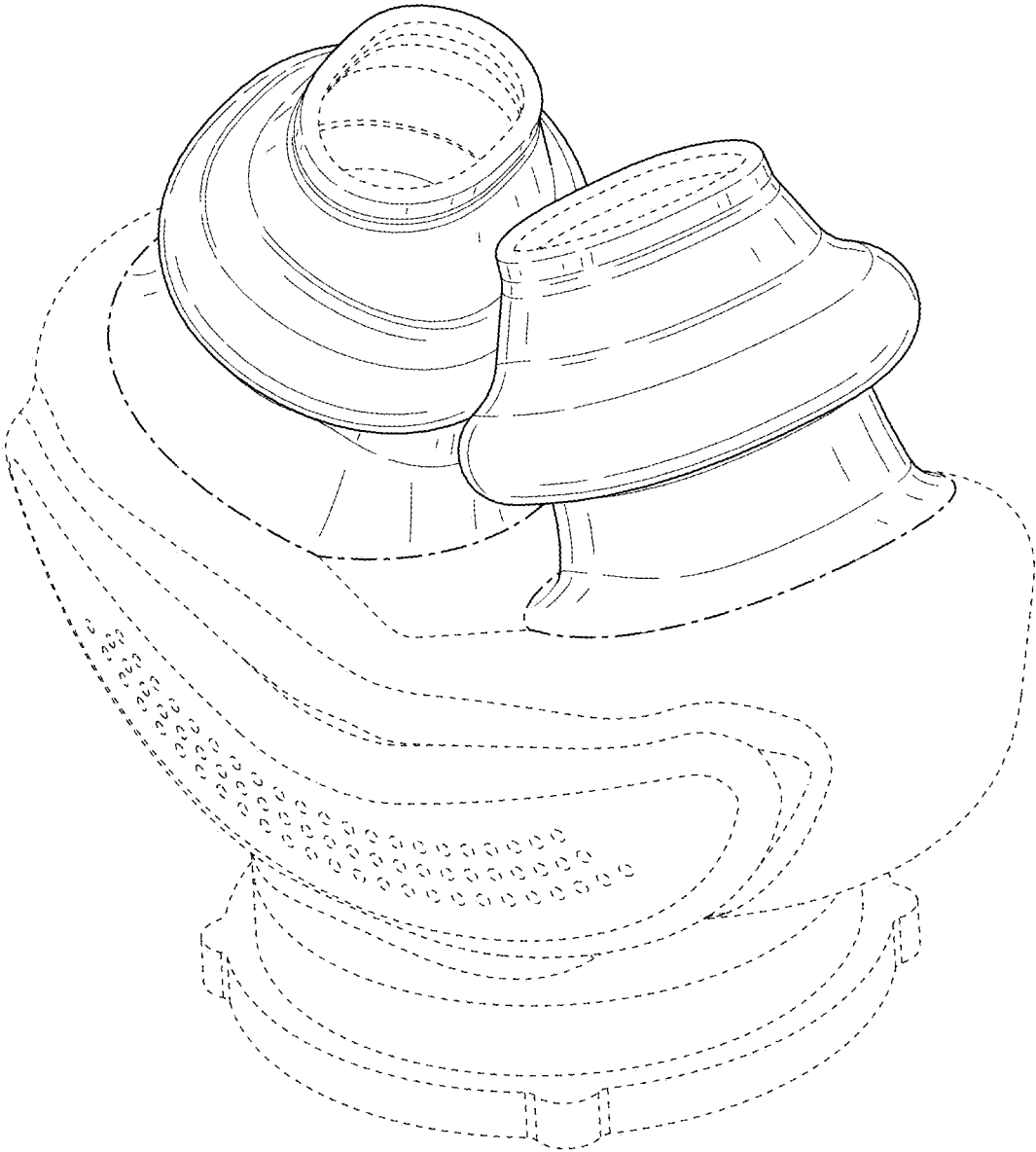


FIG. 1

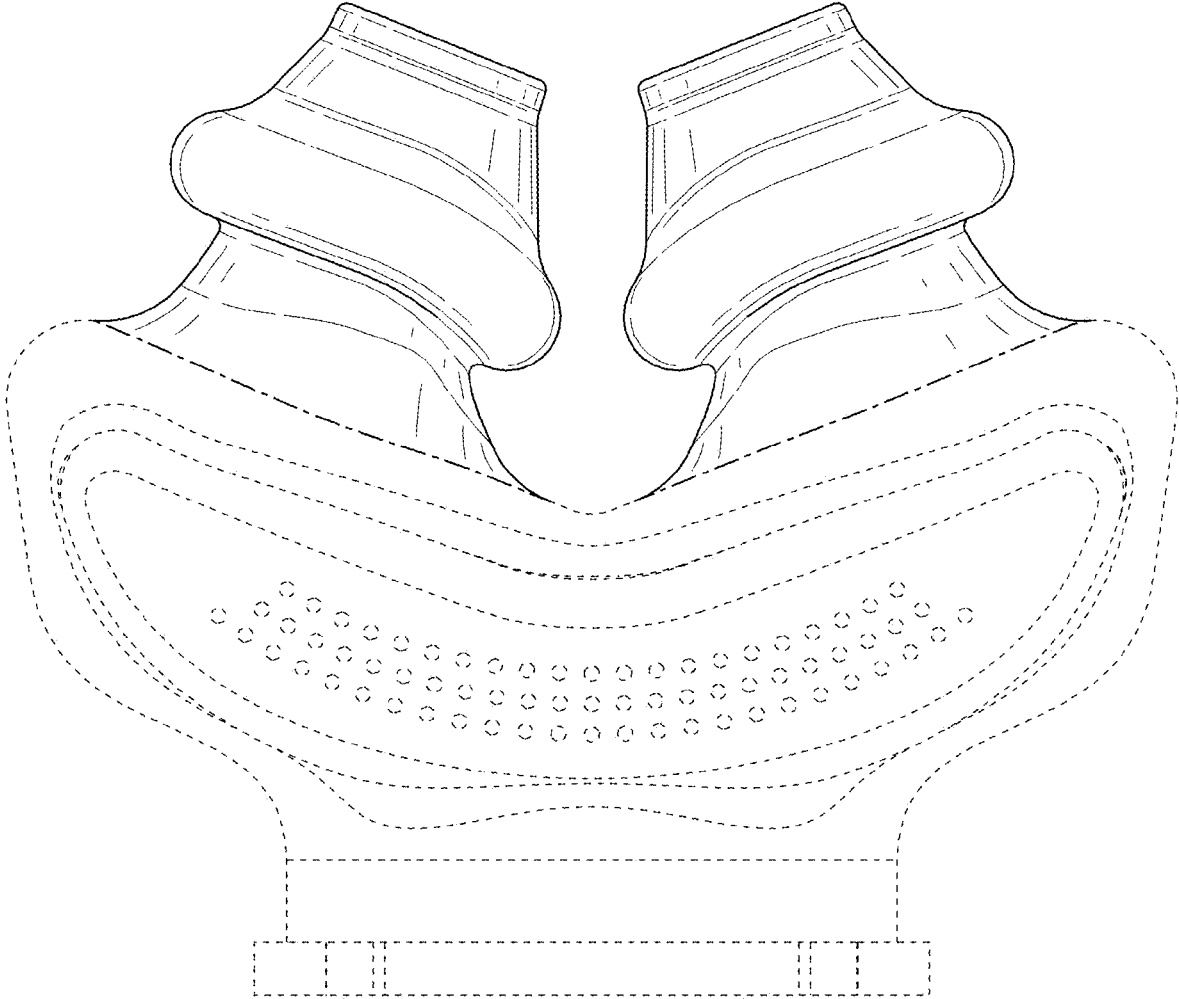


FIG. 2

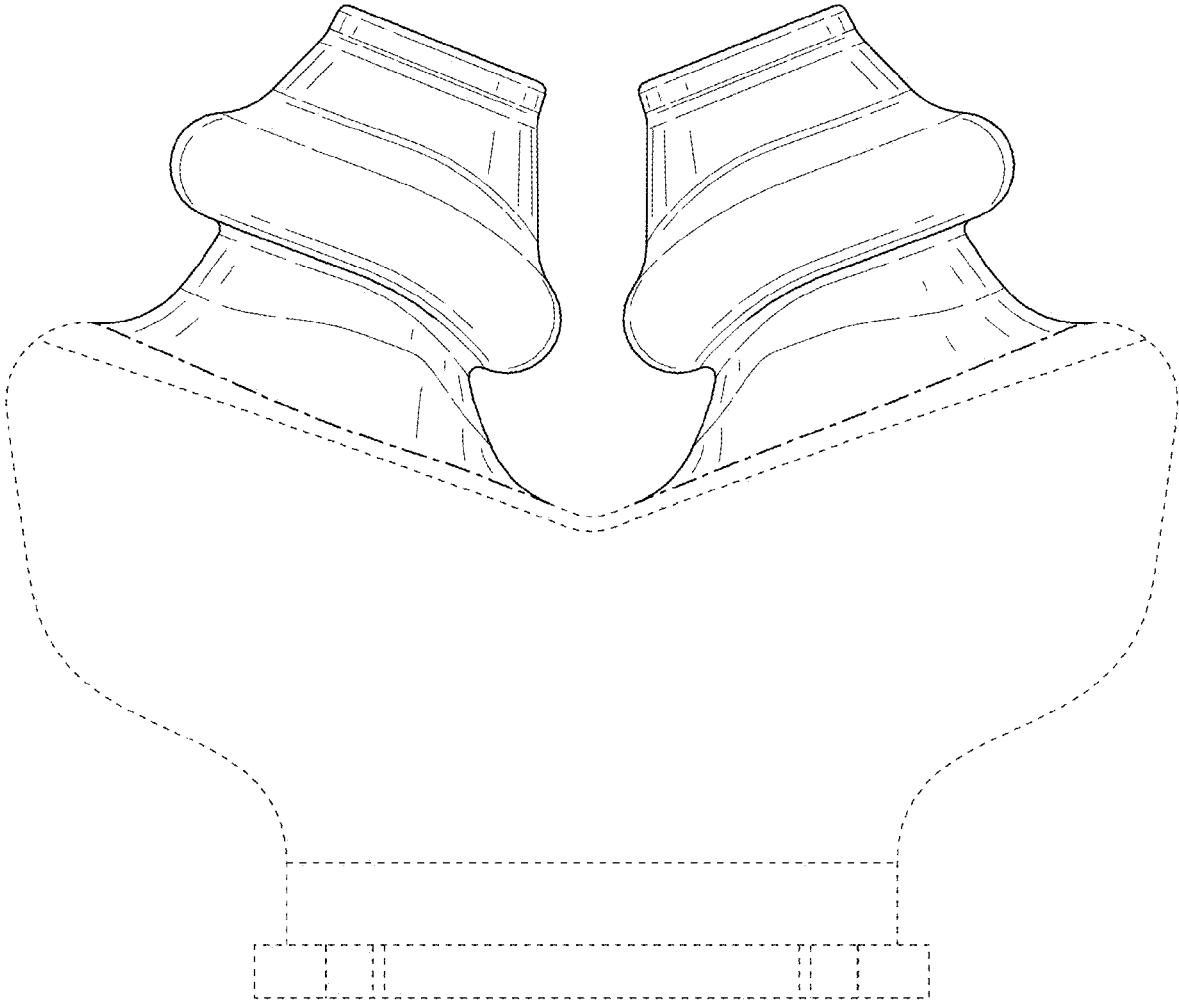


FIG. 3

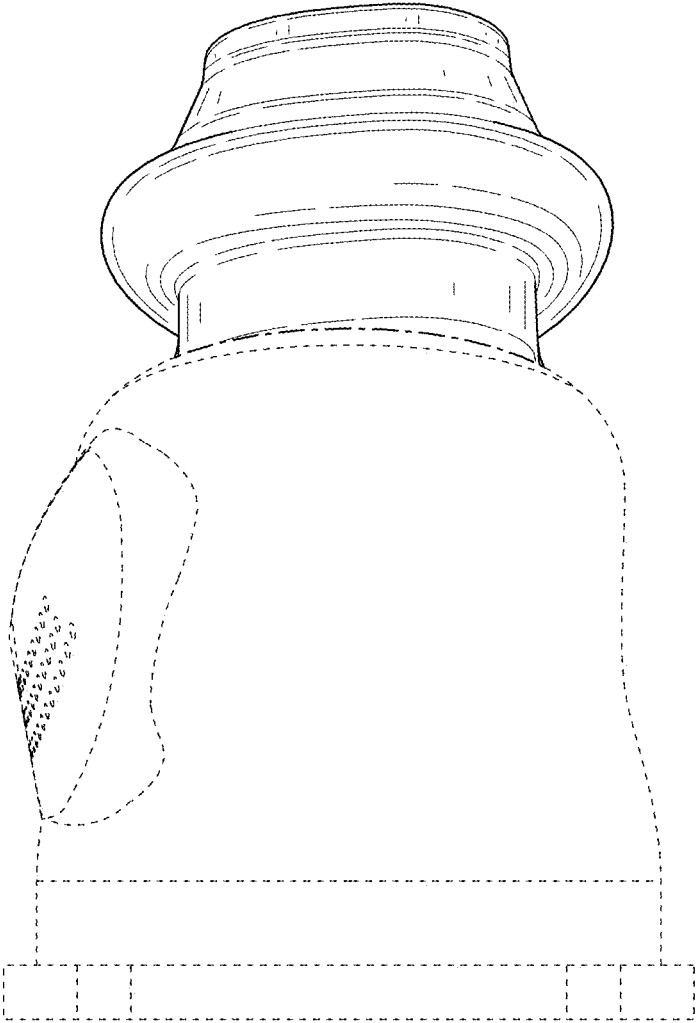


FIG. 4

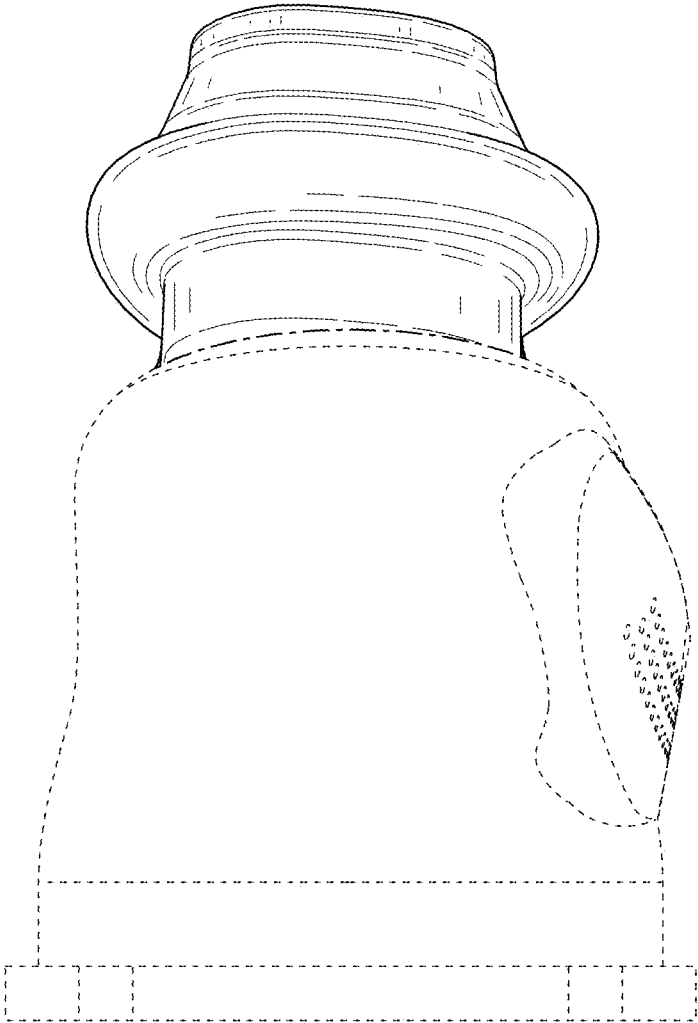


FIG. 5

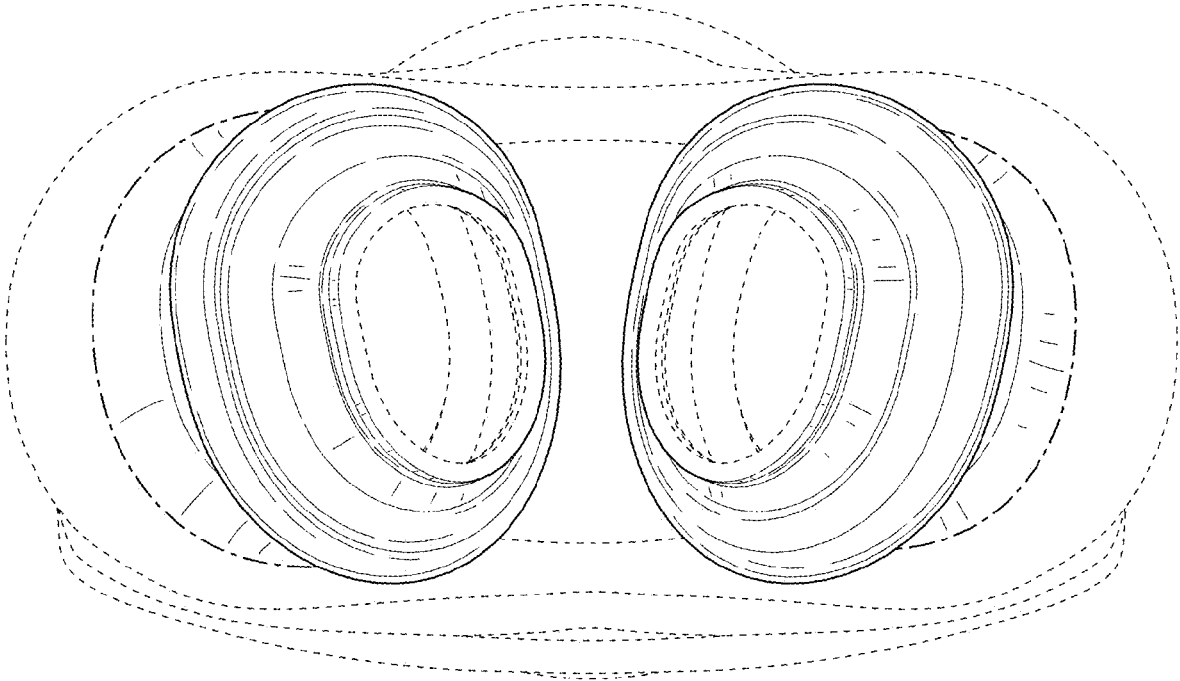


FIG. 6

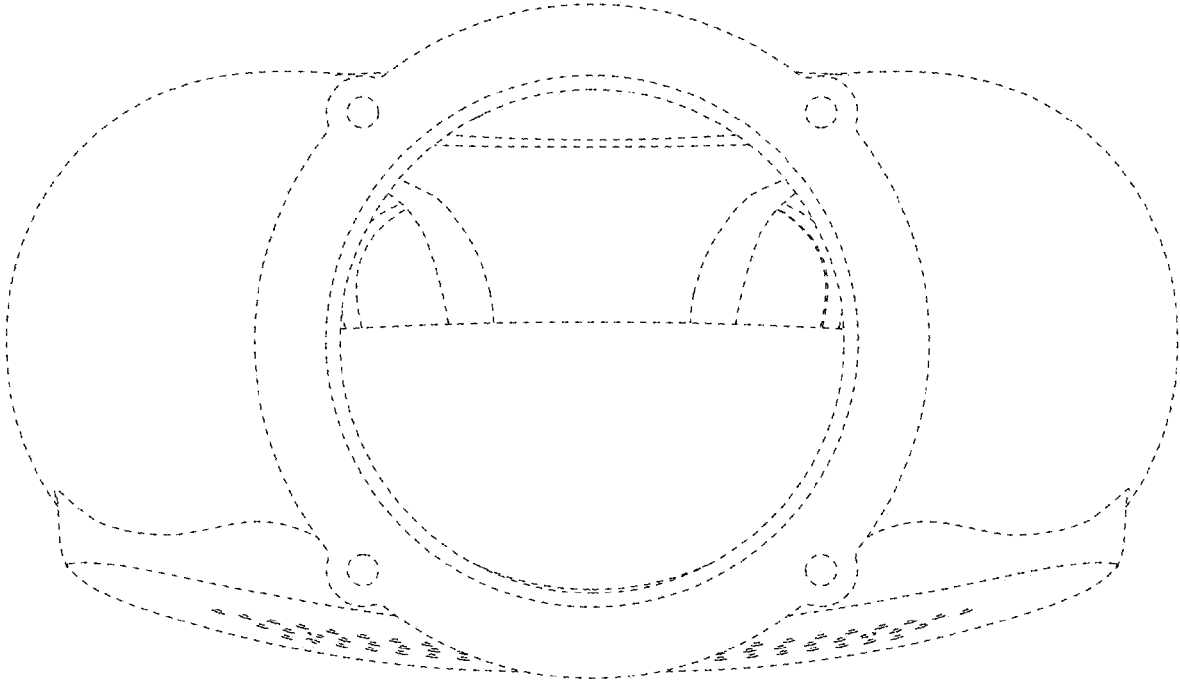


FIG. 7