

(19) World Intellectual Property Organization  
International Bureau



(43) International Publication Date  
15 January 2009 (15.01.2009)

PCT

(10) International Publication Number  
**WO 2009/009652 A3**

- (51) **International Patent Classification:**  
H03F 1/02 (2006.01) H03F 3/72 (2006.01)  
H03F 3/68 (2006.01)
- (21) **International Application Number:**  
PCT/US2008/069623
- (22) **International Filing Date:** 10 July 2008 (10.07.2008)
- (25) **Filing Language:** English
- (26) **Publication Language:** English
- (30) **Priority Data:**  
11/827,186 11 July 2007 (11.07.2007) US
- (71) **Applicant (for all designated States except US):** AXIOM MICRODEVICES, INC. [US/US]; 7585 Irvine Center Drive, Suite 100, Irvine, CA 92618 (US).
- (72) **Inventors; and**
- (75) **Inventors/Applicants (for US only):** AOKI, Ichiro [JP/US]; 2318 Via Zafiro, San Clemente, CA 92673 (US). KEE, Scott, D. [US/US]; 3 Stonecrest, Dana Point, CA 92629 (US). HAJIMIRI, Seyed-Ali [US/US]; 425 San Polo Place, Pasadena, CA 91107 (US). JOO, Roberto, Aparicio [MX/US]; 1431 Baypointe Drive, Newport Beach, CA 92660 (US). MAGOON, Rahul [US/US];

26 Santa Victoria Aisle, Irvine, CA 92606 (US). MC-CLYMONT, Donald [GB/US]; 24562 Harbor View Drive, Apt. C, Dana Point, CA 92629 (US).

(74) **Agents:** ROURK, Christopher, J. et al.; Jackson Walker L.L.P., 901 Main Street, Suite 6000, Dallas, TX 75202 (US).

(81) **Designated States (unless otherwise indicated, for every kind of national protection available):** AE, AG, AL, AM, AO, AT, AU, AZ, BA, BB, BG, BH, BR, BW, BY, BZ, CA, CH, CN, CO, CR, CU, CZ, DE, DK, DM, DO, DZ, EC, EE, EG, ES, FI, GB, GD, GE, GH, GM, GT, HN, HR, HU, ID, IL, IN, IS, JP, KE, KG, KM, KN, KP, KR, KZ, LA, LC, LK, LR, LS, LT, LU, LY, MA, MD, ME, MG, MK, MN, MW, MX, MY, MZ, NA, NG, NI, NO, NZ, OM, PG, PH, PL, PT, RO, RS, RU, SC, SD, SE, SG, SK, SL, SM, ST, SV, SY, TJ, TM, TN, TR, TT, TZ, UA, UG, US, UZ, VC, VN, ZA, ZM, ZW.

(84) **Designated States (unless otherwise indicated, for every kind of regional protection available):** ARIPO (BW, GH, GM, KE, LS, MW, MZ, NA, SD, SL, SZ, TZ, UG, ZM, ZW), Eurasian (AM, AZ, BY, KG, KZ, MD, RU, TJ, TM), European (AT, BE, BG, CH, CY, CZ, DE, DK, EE, ES, FI, FR, GB, GR, HR, HU, IE, IS, IT, LT, LU, LV, MC, MT, NL,

[Continued on next page]

(54) **Title:** SEGMENTED POWER AMPLIFIER

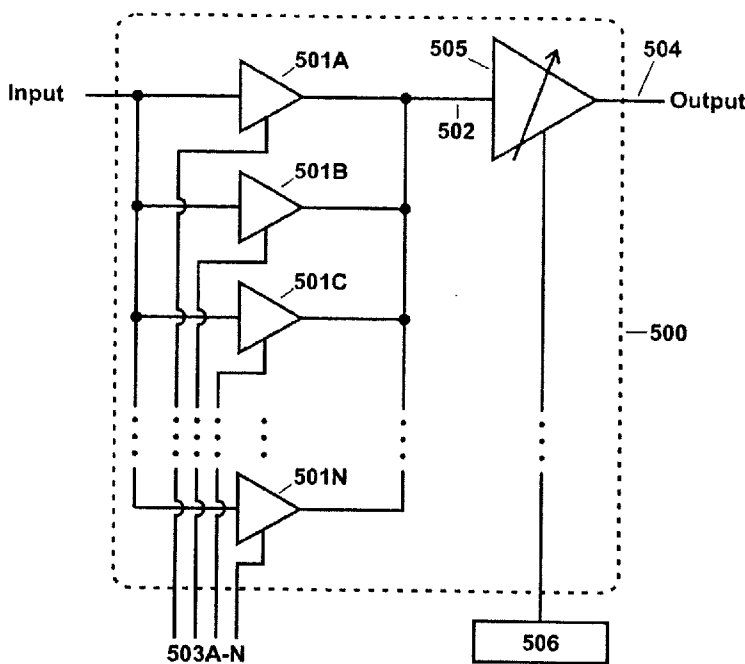


Figure 5 ↑ 500

(57) **Abstract:** A system for amplifying a signal is provided. The system includes a plurality of driver stages, each having an input, an output, and a disable control. An output stage having an input is coupled to the outputs of the plurality of driver stages. A plurality of disable control signals is provided to the driver stages so as to controllably enable and disable one or more of the driver stages.

WO 2009/009652 A3



NO, PL, PT, RO, SE, SI, SK, TR), OAPI (BF, BJ, CF, CG, CI, CM, GA, GN, GQ, GW, ML, MR, NE, SN, TD, TG).

— *before the expiration of the time limit for amending the claims and to be republished in the event of receipt of amendments*

**Published:**

— *with international search report*

**(88) Date of publication of the international search report:**

22 May 2009

INTERNATIONAL SEARCH REPORT

International application No  
PCT/US2008/069623

<b>A. CLASSIFICATION OF SUBJECT MATTER</b> INV. H03F1/02 H03F3/68 H03F3/72		
According to International Patent Classification (IPC) or to both national classification and IPC		
<b>B. FIELDS SEARCHED</b>		
Minimum documentation searched (classification system followed by classification symbols) H03F		
Documentation searched other than minimum documentation to the extent that such documents are included in the fields searched		
Electronic data base consulted during the international search (name of data base and, where practical, search terms used) EPO-Internal, WPI Data		
<b>C. DOCUMENTS CONSIDERED TO BE RELEVANT</b>		
Category*	Citation of document, with indication, where appropriate, of the relevant passages	Relevant to claim No.
X	US 6 812 771 B1 (BEHEL JOHN KEVIN [US] ET AL) 2 November 2004 (2004-11-02) column 2, line 8 - column 5, line 67; figures 1,3	1,8-10, 16
Y	-----	3,4,20
X	US 5 926 068 A (HARR JEROME D [US]) 20 July 1999 (1999-07-20) column 3, line 64 - column 6, line 40; figure 5	1,8-10, 16
Y	-----	3,4,20
X	WO 97/22177 A (ANALOG DEVICES INC [US]) 19 June 1997 (1997-06-19) page 10, line 21 - page 11, line 30; figure 4	1,8-10, 16
Y	-----	3,4,20
	-/--	
<input checked="" type="checkbox"/> Further documents are listed in the continuation of Box C. <input checked="" type="checkbox"/> See patent family annex.		
* Special categories of cited documents :		
*A* document defining the general state of the art which is not considered to be of particular relevance *E* earlier document but published on or after the international filing date *L* document which may throw doubts on priority claim(s) or which is cited to establish the publication date of another citation or other special reason (as specified) *O* document referring to an oral disclosure, use, exhibition or other means *P* document published prior to the international filing date but later than the priority date claimed		*T* later document published after the international filing date or priority date and not in conflict with the application but cited to understand the principle or theory underlying the invention *X* document of particular relevance; the claimed invention cannot be considered novel or cannot be considered to involve an inventive step when the document is taken alone *Y* document of particular relevance; the claimed invention cannot be considered to involve an inventive step when the document is combined with one or more other such documents, such combination being obvious to a person skilled in the art. *&* document member of the same patent family
Date of the actual completion of the international search  <p style="text-align: center;">27 October 2008</p>		Date of mailing of the international search report  <p style="text-align: center;">20/03/2009</p>
Name and mailing address of the ISA/ European Patent Office, P.B. 5818 Patentlaan 2 NL - 2280 HV Rijswijk Tel. (+31-70) 340-2040, Fax: (+31-70) 340-3016		Authorized officer  <p style="text-align: center;">Lorenzo, Carlos</p>

**INTERNATIONAL SEARCH REPORT**

International application No  
PCT/US2008/069623

C(Continuation). DOCUMENTS CONSIDERED TO BE RELEVANT		
Category*	Citation of document, with indication, where appropriate, of the relevant passages	Relevant to claim No.
Y	US 3 449 685 A (HOLMES JULIAN C) 10 June 1969 (1969-06-10) column 2, line 2 - line 64; figure 1 -----	3,4,20
Y	US 6 445 248 B1 (GILBERT BARRIE [US]) 3 September 2002 (2002-09-03) column 2, line 56 - column 5, line 13; figure 4 -----	3,4,20
A	WO 01/06644 A (KONINKL PHILIPS ELECTRONICS NV [NL]) 25 January 2001 (2001-01-25) page 7, line 1 - line 18; figure 3 -----	1-10, 16-20

# INTERNATIONAL SEARCH REPORT

International application No.  
PCT/US2008/069623

## Box No. II Observations where certain claims were found unsearchable (Continuation of item 2 of first sheet)

This international search report has not been established in respect of certain claims under Article 17(2)(a) for the following reasons:

1.  Claims Nos.:  
because they relate to subject matter not required to be searched by this Authority, namely:
  
2.  Claims Nos.:  
because they relate to parts of the international application that do not comply with the prescribed requirements to such an extent that no meaningful international search can be carried out, specifically:
  
3.  Claims Nos.:  
because they are dependent claims and are not drafted in accordance with the second and third sentences of Rule 6.4(a).

## Box No. III Observations where unity of invention is lacking (Continuation of item 3 of first sheet)

This International Searching Authority found multiple inventions in this international application, as follows:

see additional sheet

1.  As all required additional search fees were timely paid by the applicant, this international search report covers allsearchable claims.
  
2.  As all searchable claims could be searched without effort justifying an additional fees, this Authority did not invite payment of additional fees.
  
3.  As only some of the required additional search fees were timely paid by the applicant, this international search reportcovers only those claims for which fees were paid, specifically claims Nos.:
  
4.  No required additional search fees were timely paid by the applicant. Consequently, this international search report is restricted to the invention first mentioned in the claims; it is covered by claims Nos.:

see additional sheet(s)

### Remark on Protest

- The additional search fees were accompanied by the applicant's protest and, where applicable, the payment of a protest fee.
- The additional search fees were accompanied by the applicant's protest but the applicable protest fee was not paid within the time limit specified in the invitation.
- No protest accompanied the payment of additional search fees.

**FURTHER INFORMATION CONTINUED FROM PCT/ISA/ 210**

This International Searching Authority found multiple (groups of) inventions in this international application, as follows:

1. claims: 1-10,16-20

A system for amplifying a signal comprising a plurality of driver stages each having a disable control input so that each of the driver stages can be enabled or disabled by one of a plurality of disable control signals, and an output stage which comprises and adjustable gain control

---

2. claims: 11-15

A system for amplifying a signal comprising a driver stage and a plurality of output stages, each having a disable control input so that each of the output stages can be enabled or disabled by one of a plurality of disable control signals

---

# INTERNATIONAL SEARCH REPORT

Information on patent family members

International application No PCT/US2008/069623
---

Patent document cited in search report	Publication date	Publication date	Patent family member(s)	Publication date
US 6812771	B1	02-11-2004	NONE	
US 5926068	A	20-07-1999	JP 11317635 A	16-11-1999
WO 9722177	A	19-06-1997	DE 69636643 T2 EP 0867067 A1 US 5684431 A	23-08-2007 30-09-1998 04-11-1997
US 3449685	A	10-06-1969	NONE	
US 6445248	B1	03-09-2002	NONE	
WO 0106644	A	25-01-2001	DE 60027128 T2 EP 1127408 A1 JP 2003505904 T US 6211737 B1	14-12-2006 29-08-2001 12-02-2003 03-04-2001