

[54] RIP FENCE FOR A TABLE SAW

4,206,910 6/1980 Biesemeyer 83/438
4,521,006 6/1985 Waters 269/304
4,600,184 7/1986 Ashworth 269/303

[75] Inventors: John G. Legler, Huber Heights;
Garry W. Woods, Dayton; Dale A.
Timman, Sidney, all of Ohio

Primary Examiner—B. J. Bullock
Attorney, Agent, or Firm—Biebel French & Nauman

[73] Assignee: Shopsmith, Inc., Dayton, Ohio

[57] CLAIM

[**] Term: 14 Years

The ornamental design for a rip fence for a table saw, as shown and described.

[21] Appl. No.: 690,282

[22] Filed: Jan. 10, 1985

[52] U.S. Cl. D15/133; D15/138

[58] Field of Search D15/133, 138; 83/438,
83/441, 450; 141/253 R; 269/303, 304, 307, 315

DESCRIPTION

FIG. 1 is a perspective view of a rip fence for a table saw showing our new design, which is shown broken away to indicate indeterminate length;

FIG. 2 is a left side elevational view thereof, the right side being a mirror image thereof;

FIG. 3 is an enlarged left side elevational view thereof;

FIG. 4 is an enlarged rear end elevational view thereof;

FIG. 5 is an enlarged front end elevational view thereof;

FIG. 6 is an enlarged bottom plan view thereof.

FIG. 7 is an enlarged top plan view thereof.

[56] References Cited

U.S. PATENT DOCUMENTS

2,273,715	2/1942	Lonskey et al.	144/253 R
2,754,859	7/1956	Ocenasek	144/253 R
2,764,190	9/1956	Howard	83/438
2,771,103	11/1956	Odlum et al.	144/253 R
2,806,493	9/1957	Gaskell	83/438

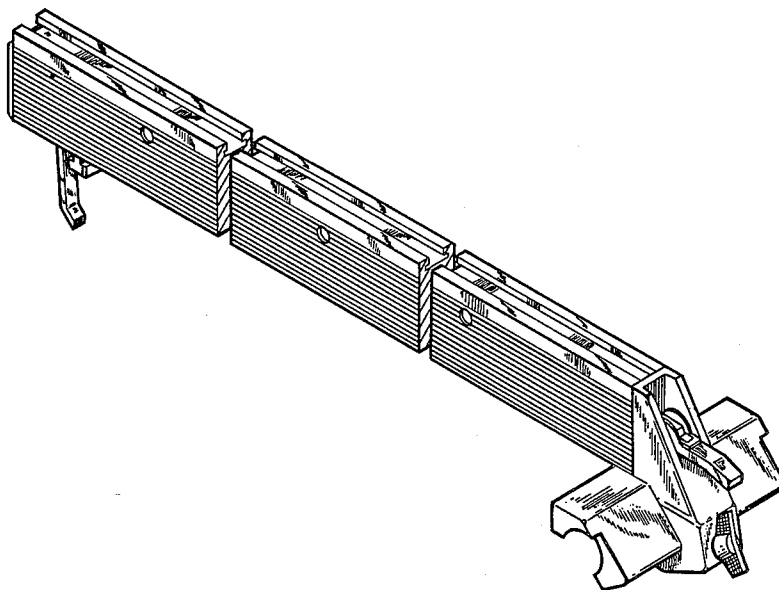


FIG-1

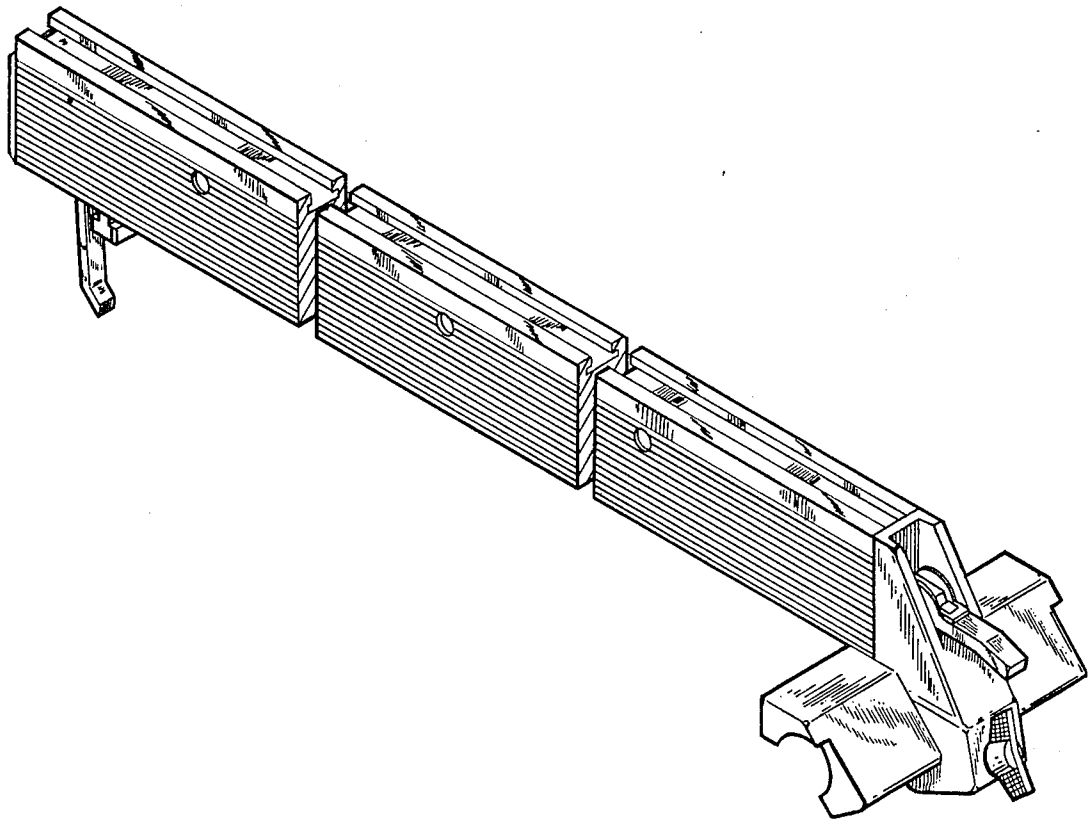


FIG-2

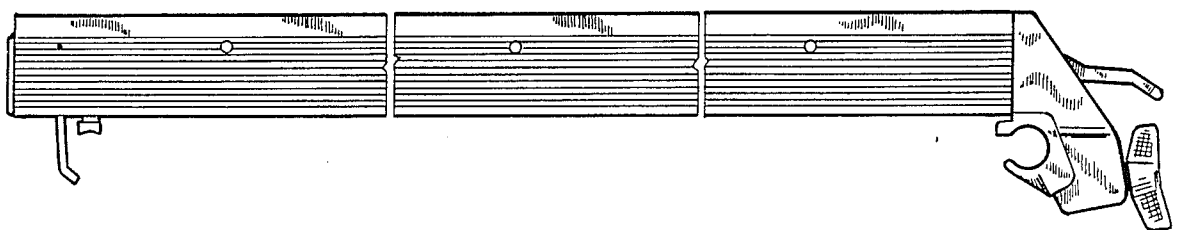


FIG-3

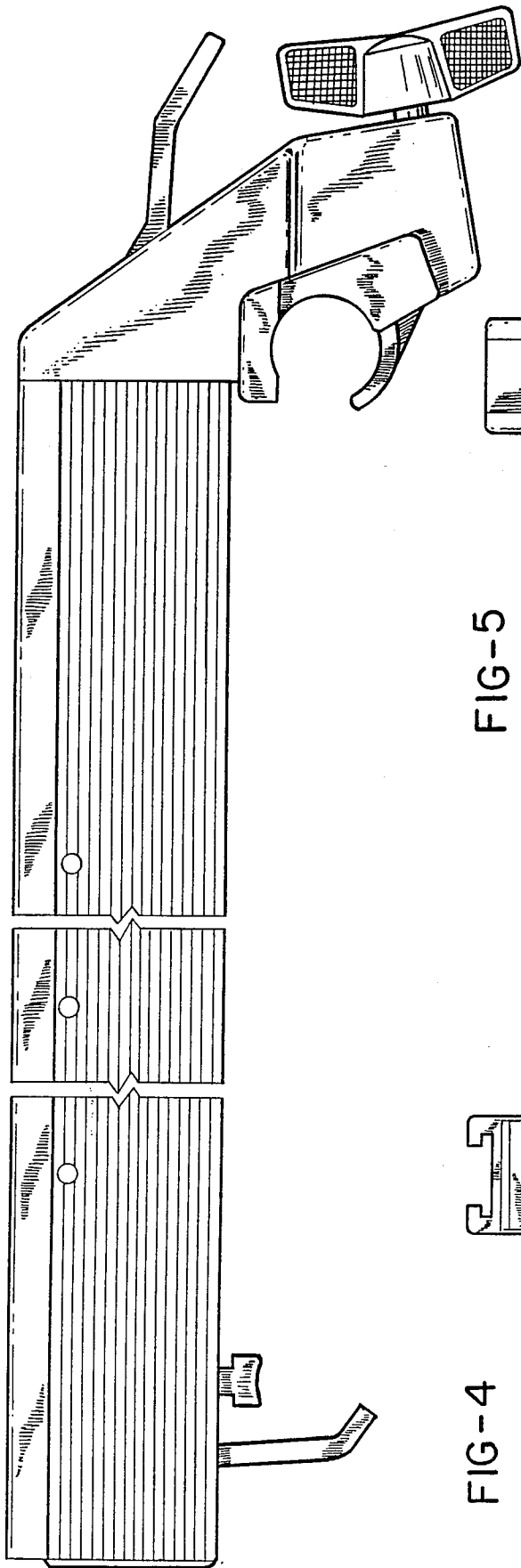


FIG-4

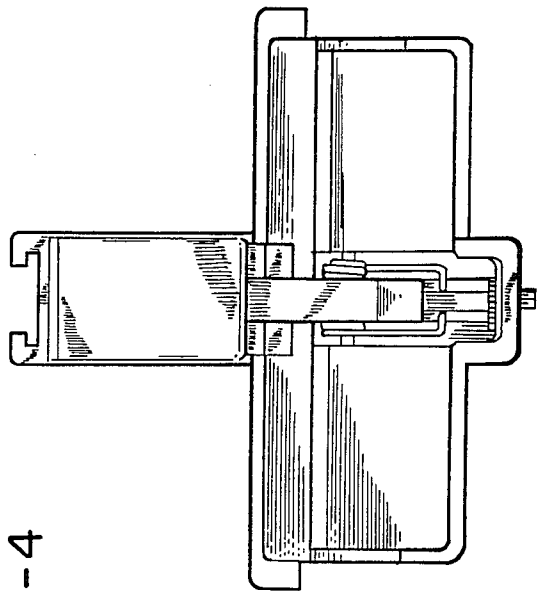
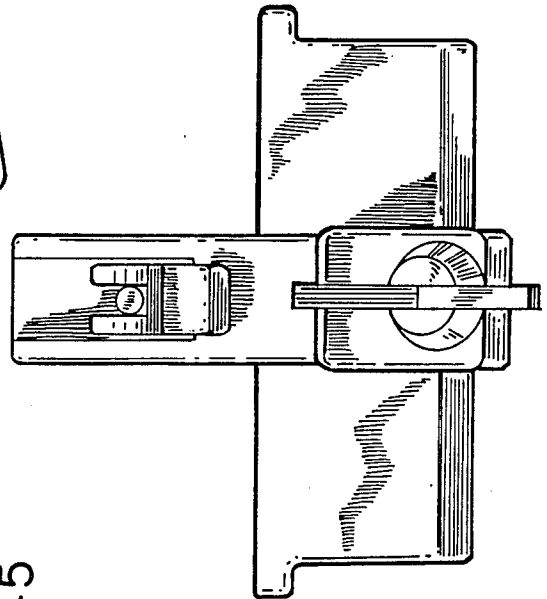


FIG-5



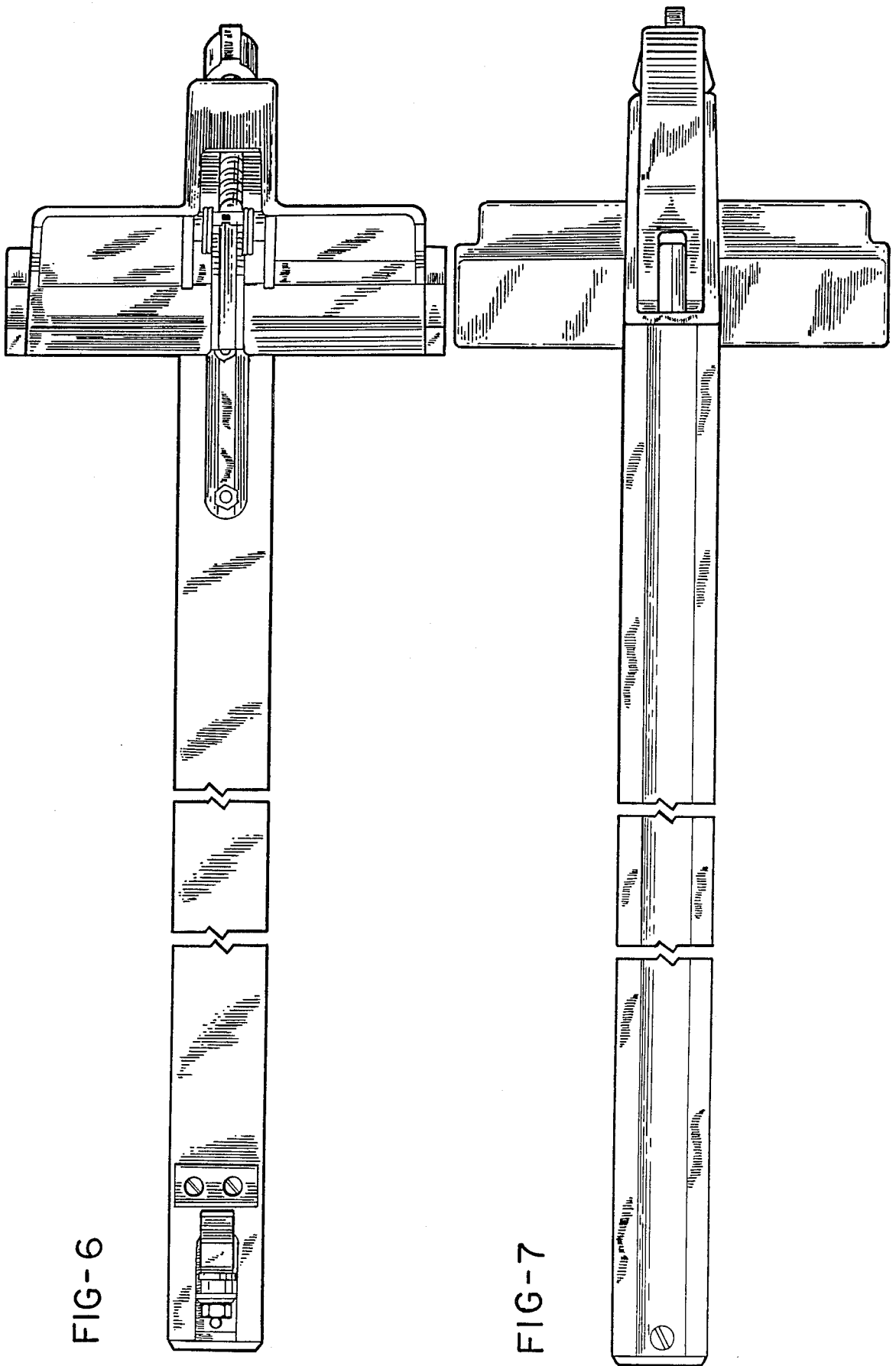


FIG-6

FIG-7