



(12) **United States Design Patent**
Huang et al.

(10) **Patent No.:** **US D1,008,985 S**
(45) **Date of Patent:** **** Dec. 26, 2023**

(54) **CONTROL FOR LIGHTING DEVICE**
(71) Applicant: **Shenzhen Intellirocks Tech. Co., Ltd.**,
Shenzhen (CN)
(72) Inventors: **Weifeng Huang**, Guangdong (CN);
Wenlong Wu, Guangdong (CN)
(**) Term: **15 Years**
(21) Appl. No.: **35/516,057**
(22) Filed: **Nov. 10, 2022**
(80) **Hague Agreement Data**
Int. Filing Date: **Nov. 10, 2022**
Int. Reg. No.: **DM/226020**
Int. Reg. Date: **Nov. 10, 2022**
Int. Reg. Pub. Date: **Jan. 20, 2023**

(30) **Foreign Application Priority Data**
May 11, 2022 (CN) 202230273985.0
(51) **LOC (14) Cl.** **14-03**
(52) **U.S. Cl.**
USPC **D13/168**
(58) **Field of Classification Search**
USPC D13/162, 168, 171; D14/155, 188, 205,
D14/206, 217, 218, 223, 225, 240, 433;
D10/49, 50, 104.1, 106.1
CPC G08C 17/02; G08C 19/00; G08C 19/12;
G08C 19/28; G08C 23/04; H04B 1/202;
H05B 47/10; H05B 47/19; H05B 1/00;
H05B 1/0227; H05B 1/0272; H05B
3/342; H03J 9/00; H03J 9/02; H03J 9/04;
H03J 9/06; H03J 1/0025; H01H 9/02;
H01H 9/0214; H01H 9/0235; F21S 4/00;
F21S 4/10; F21S 4/20; G09F 23/00
See application file for complete search history.

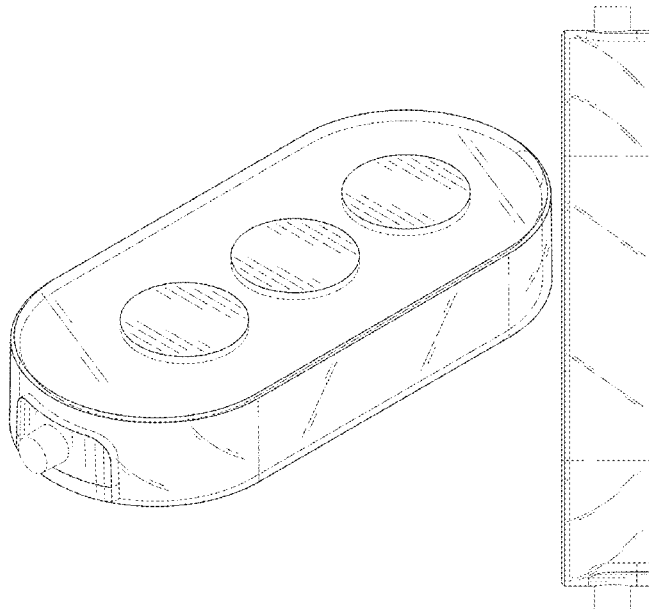
(56) **References Cited**
U.S. PATENT DOCUMENTS
D825,531 S * 8/2018 Nokuo D14/218
D840,954 S * 2/2019 Wu D13/168
10,593,238 B2 * 3/2020 Schnell H02J 7/35
D887,374 S * 6/2020 Gong D13/168
D900,789 S * 11/2020 Chen D14/218
D910,580 S * 2/2021 Zhu D13/168
D916,034 S * 4/2021 Shi D14/218
D917,404 S * 4/2021 Xu D13/168
D945,975 S * 3/2022 Abramson D13/168
D953,894 S * 6/2022 Li D14/218
D957,364 S * 7/2022 Wu D14/218
D971,858 S * 12/2022 Zhang D14/218
D976,231 S * 1/2023 Zhou D14/206
D991,891 S * 7/2023 Song D13/168
2014/0218926 A1 * 8/2014 Jackson F21S 4/10
362/249.16

* cited by examiner
Primary Examiner — Selina Sikder

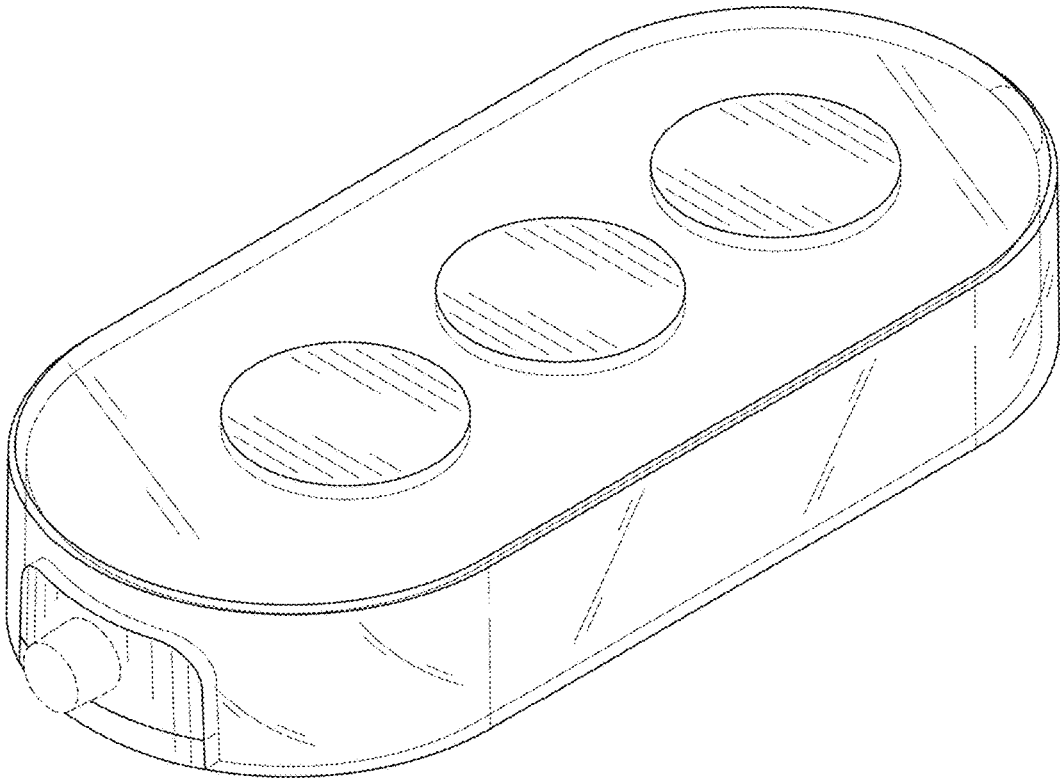
(57) **CLAIM**
The ornamental design for a control for lighting device, as shown and described.

DESCRIPTION
1. Control for lighting device
1.1 : Perspective
1.2 : Perspective
1.3 : Front
1.4 : Back
1.5 : Left
1.6 : Right
1.7 : Top
1.8 : Bottom
The broken lines shown in the drawings are included for the purpose of illustrating portions of the control box that form no part of the claimed design.

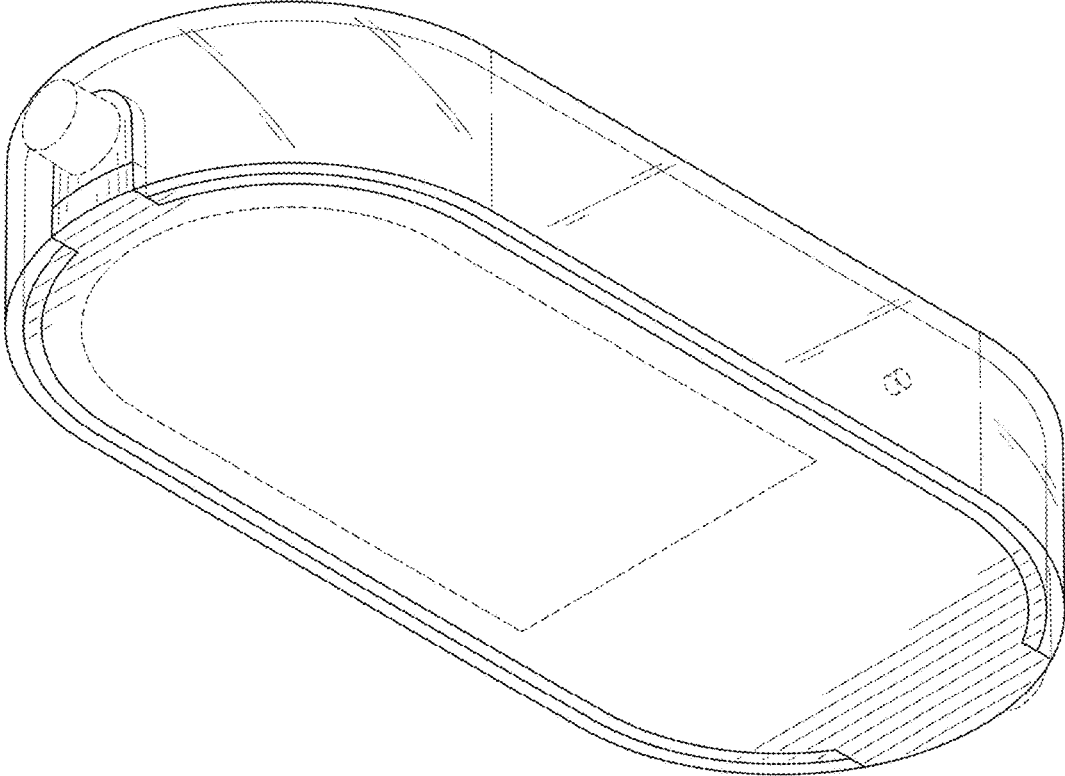
1 Claim, 8 Drawing Sheets



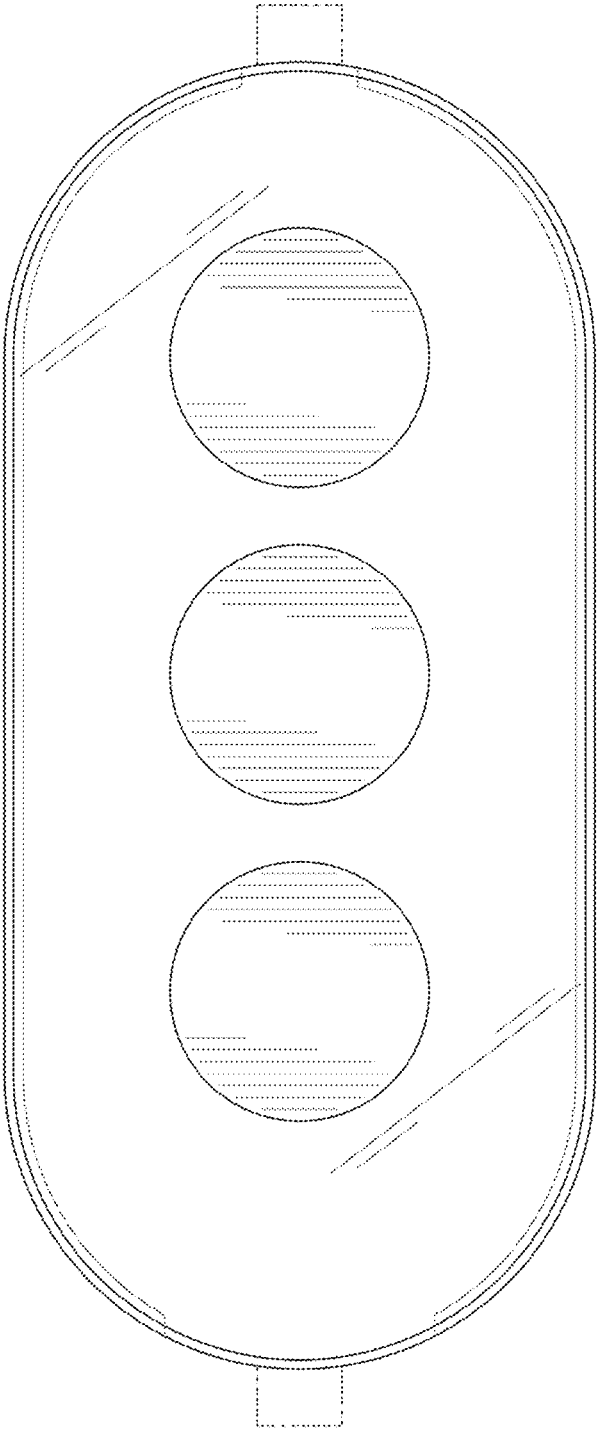
1.1



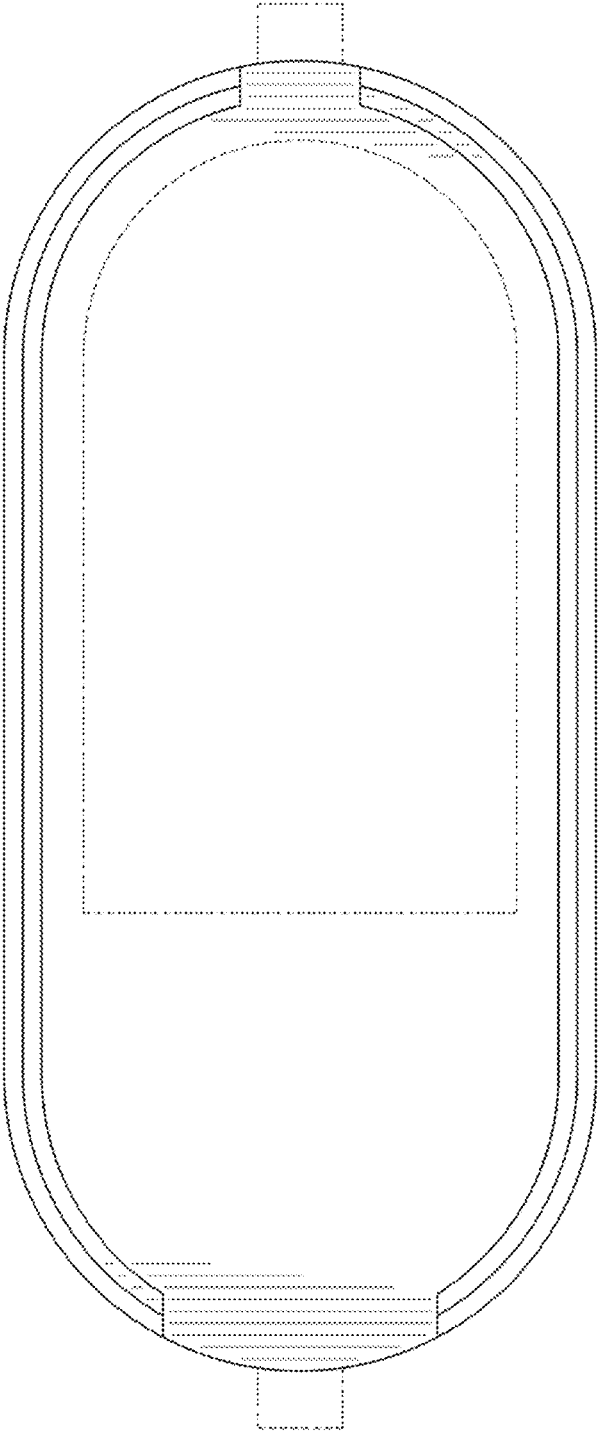
1.2



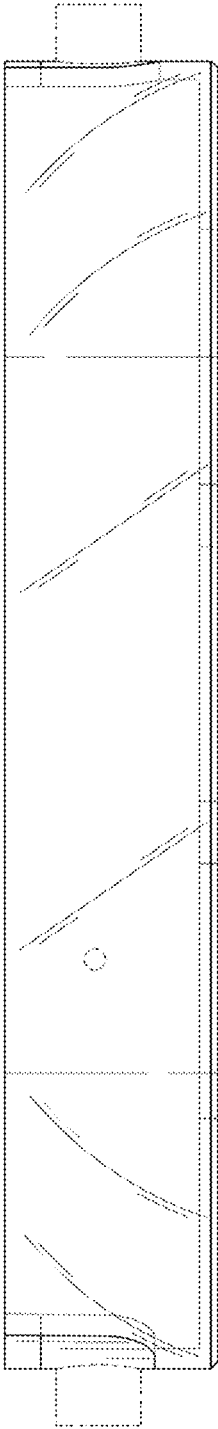
1.3



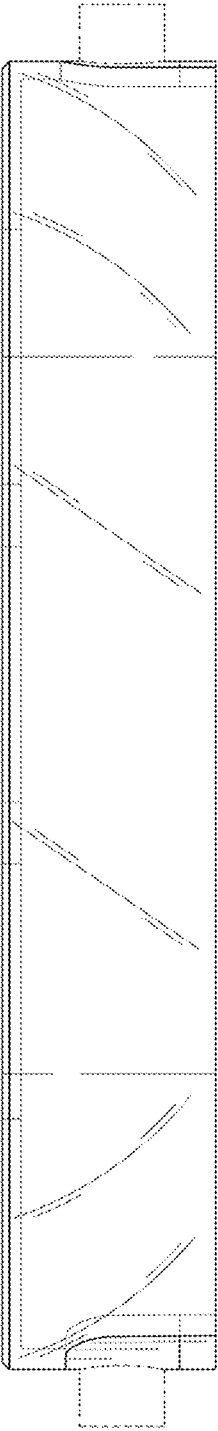
1.4



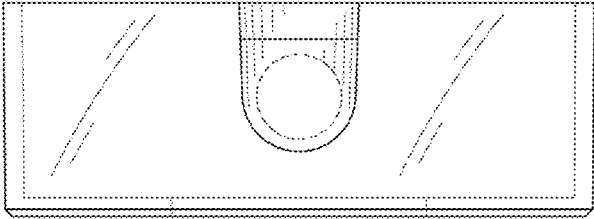
1.5



1.6



1.7



1.8

