



US0D1053239S

(12) **United States Design Patent**
Xu

(10) **Patent No.:** **US D1,053,239 S**

(45) **Date of Patent:** **** Dec. 3, 2024**

(54) **PROJECTOR**

(71) Applicant: **Shenzhen Wanzhi Innovation Technology Co., Ltd, Shenzhen (CN)**

(72) Inventor: **Jian Xu, Shenzhen (CN)**

(73) Assignee: **Shenzhen Wanzhi Innovation Technology Co., Ltd, Shenzhen (CN)**

(**) Term: **15 Years**

(21) Appl. No.: **29/958,150**

(22) Filed: **Aug. 19, 2024**

(30) **Foreign Application Priority Data**

Mar. 27, 2024 (CN) 202430161984.6

(51) **LOC (14) Cl.** **16-02**

(52) **U.S. Cl.**

USPC **D16/229; D16/230**

(58) **Field of Classification Search**

USPC D16/221, 225, 229, 230, 231, 234, 235;
D21/514

CPC G03B 21/16; G03B 21/14; G03B 21/145;
G03B 21/142; G03B 21/00; G03B
21/001; G03B 21/003; G03B 21/12

See application file for complete search history.

(56) **References Cited**

U.S. PATENT DOCUMENTS

D204,032 S * 3/1966 Evanston et al. D16/234
D878,451 S * 3/2020 Pigno D16/229

D1,031,817 S * 6/2024 Lee D16/235
D1,032,697 S * 6/2024 Cho D16/235
D1,038,211 S * 8/2024 Ping
D1,041,540 S * 9/2024 Zhu D16/229
D1,042,598 S * 9/2024 Lee D16/229
D1,043,791 S * 9/2024 Zhu D16/229
2017/0299952 A1* 10/2017 Jorgensen G03B 21/145
2018/0084921 A1* 3/2018 Huang G03B 21/145
2024/0125423 A1* 4/2024 Zhang G03B 21/14

* cited by examiner

Primary Examiner — Wan Laymon

(57) **CLAIM**

The ornamental design for a projector, as shown and described.

DESCRIPTION

FIG. 1 is a front perspective view of a projector, showing my new design;

FIG. 2 is a rear perspective view thereof;

FIG. 3 is a front view thereof;

FIG. 4 is a rear view thereof;

FIG. 5 is a left side view thereof;

FIG. 6 is a right side view thereof;

FIG. 7 is a top view thereof;

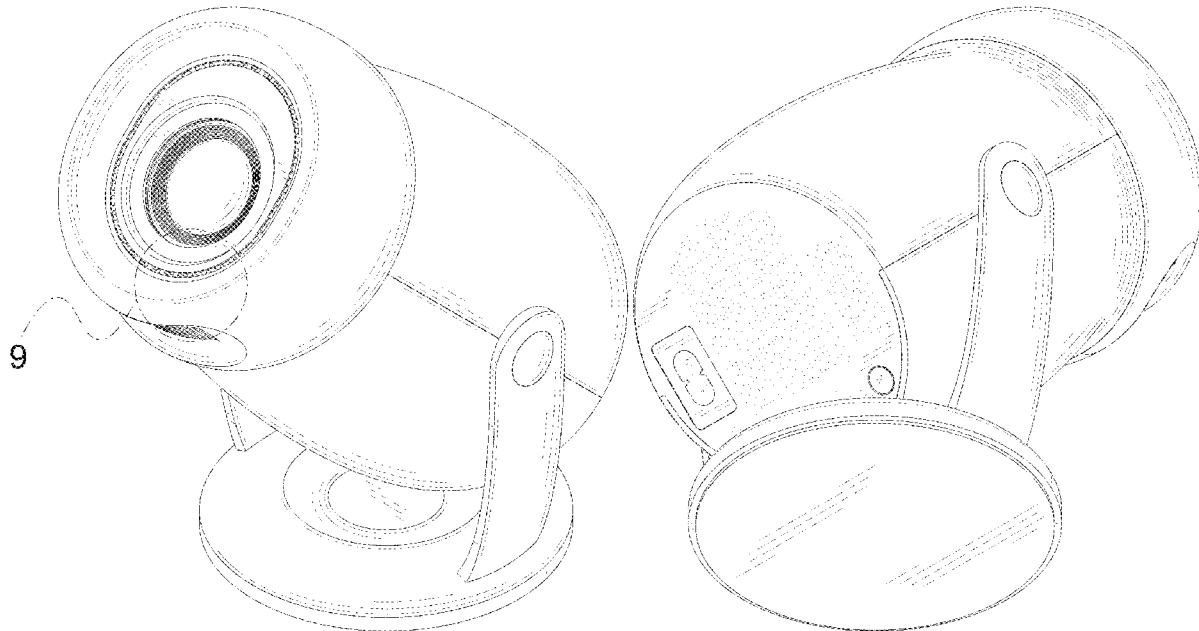
FIG. 8 is a bottom view thereof; and,

FIG. 9 is an enlarged detail view of area 9 in FIG. 1.

The broken lines in the drawings illustrate the portions of the projector, which form no part of the claimed design.

The dash-dot-dash broken lines encircling the enlarged views are for annotative purposes only and form no part of the claim thereof.

1 Claim, 9 Drawing Sheets



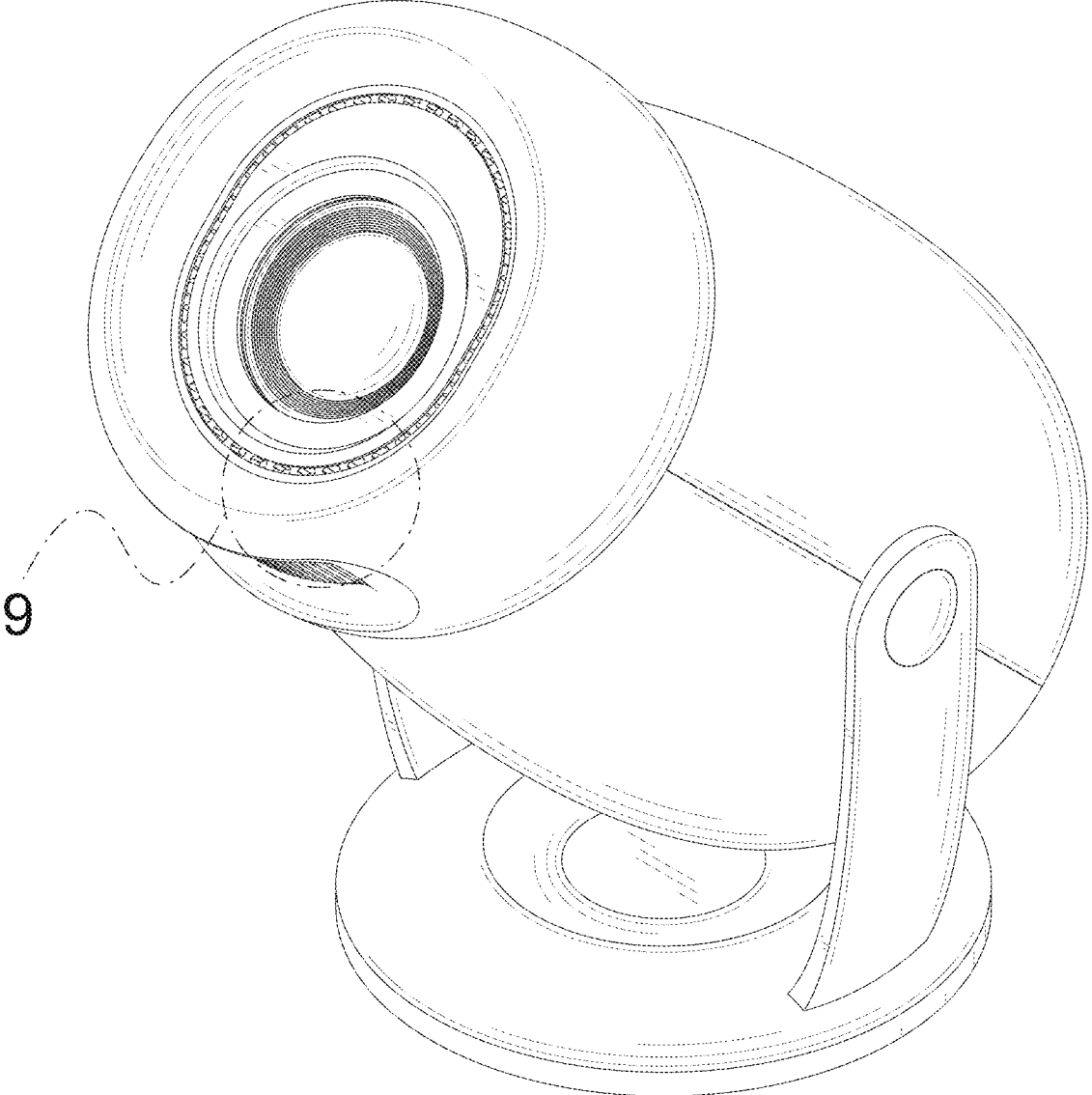


FIG. 1

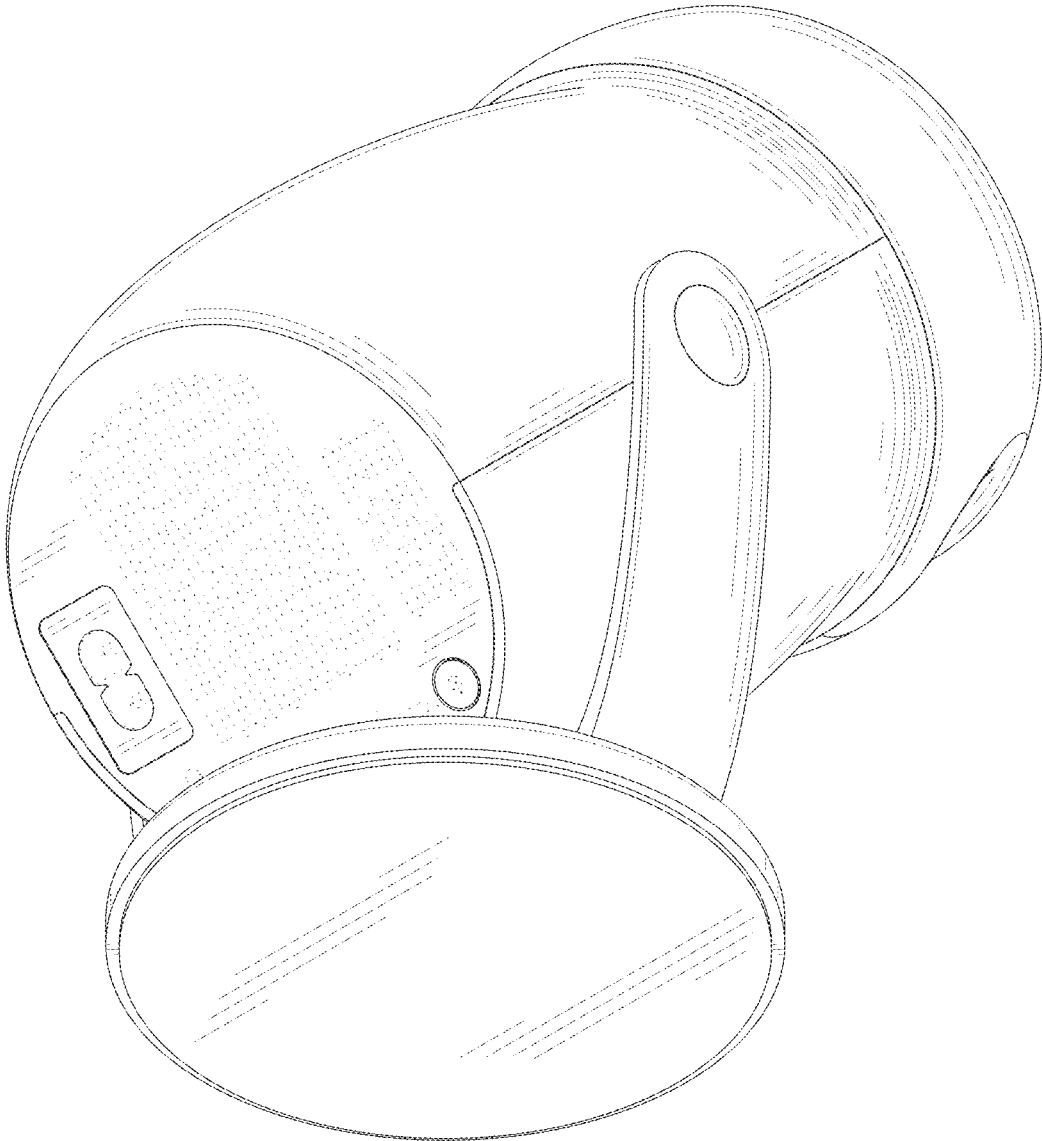


FIG. 2

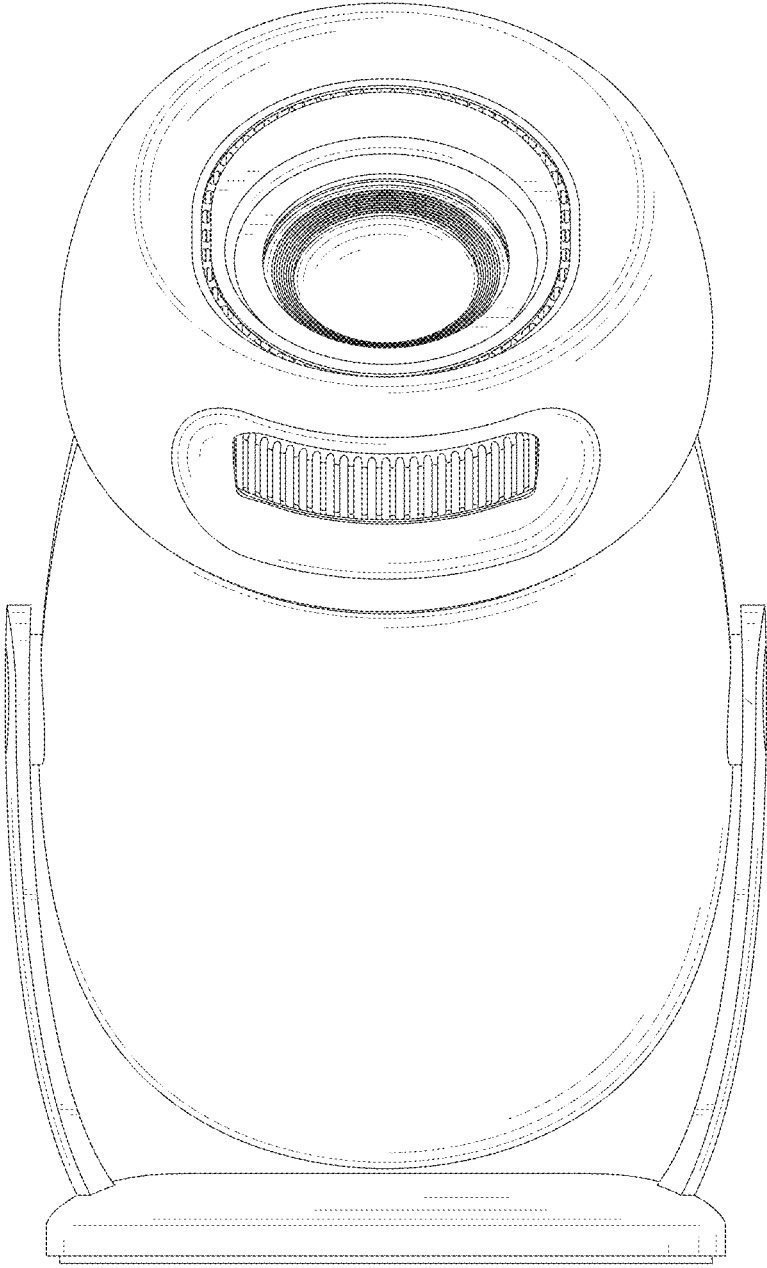


FIG. 3

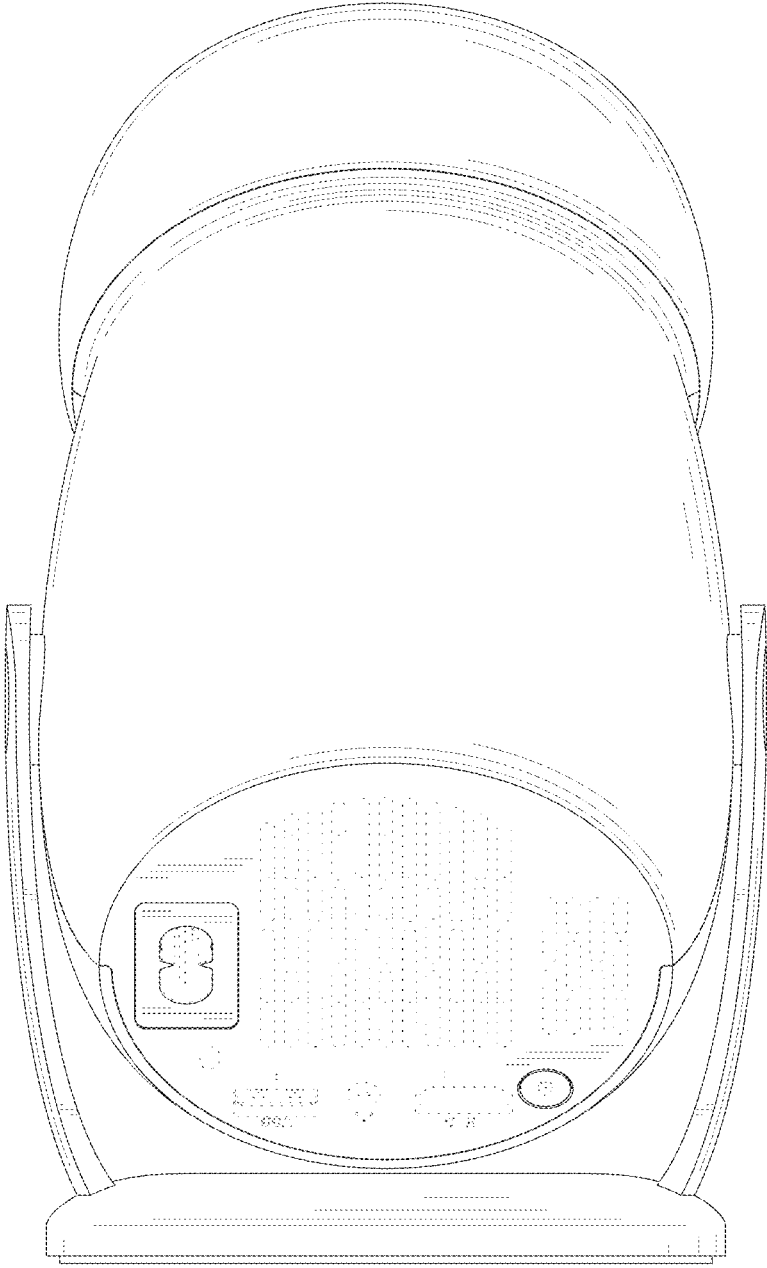


FIG. 4

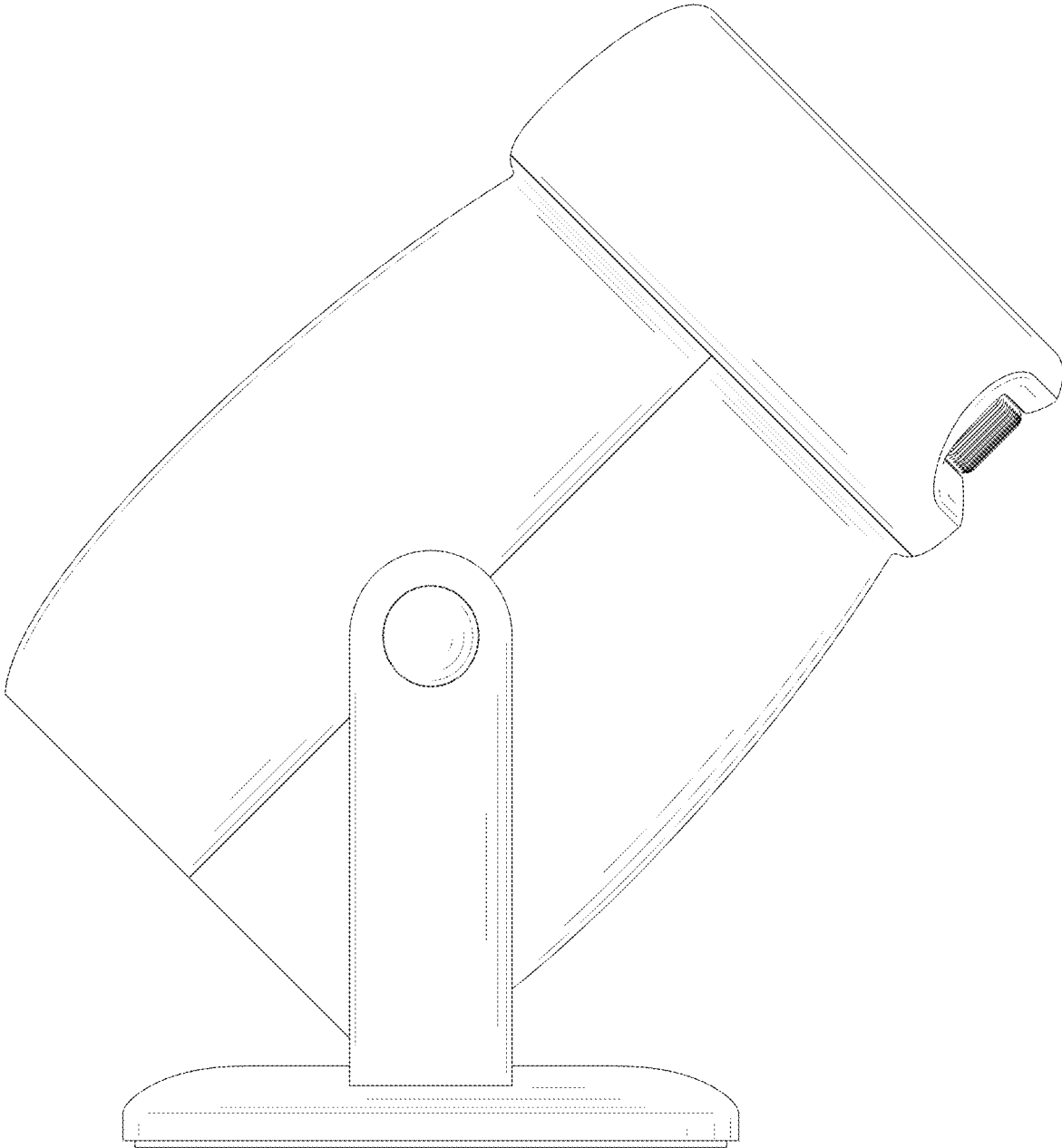


FIG. 5

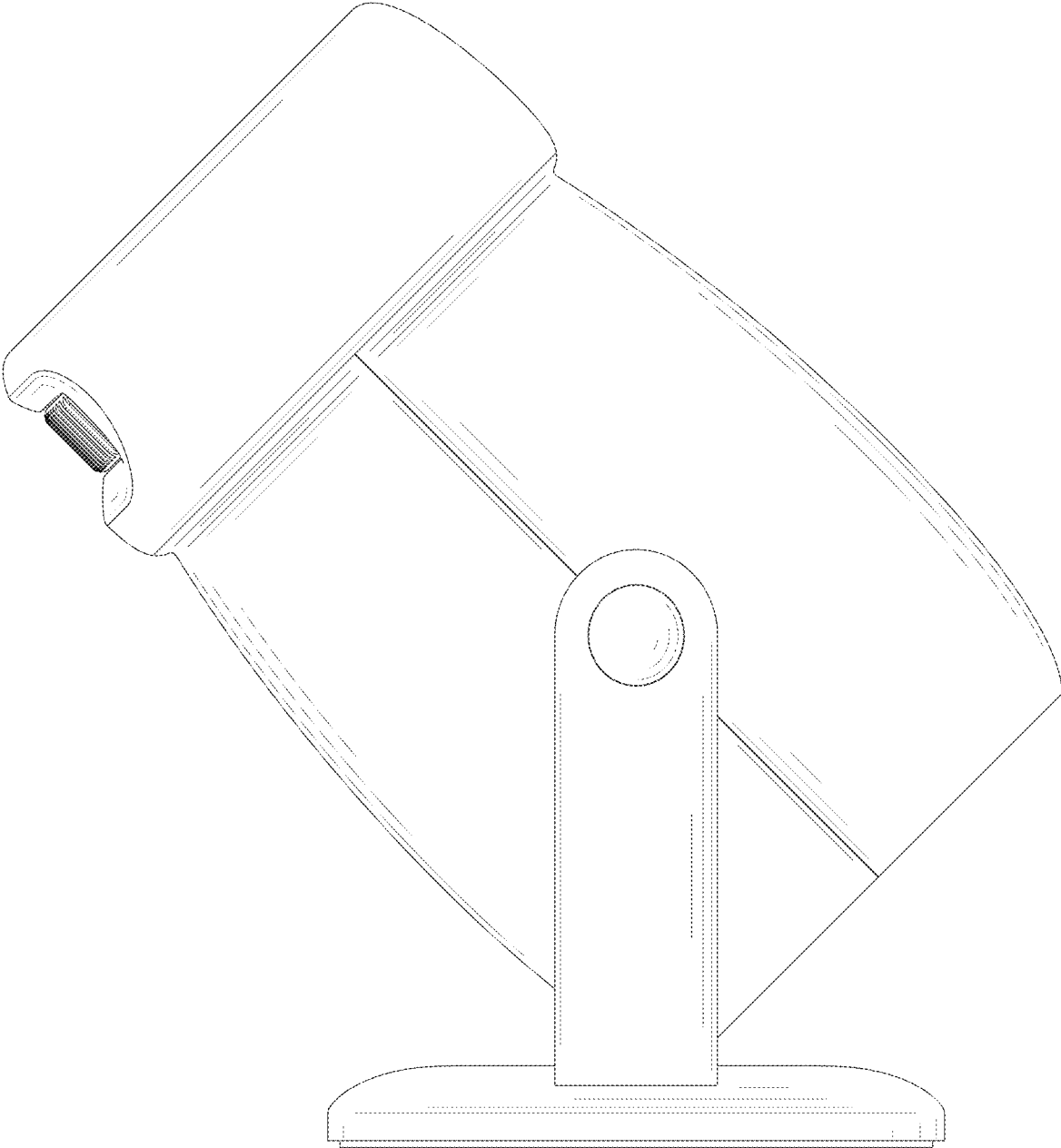


FIG. 6

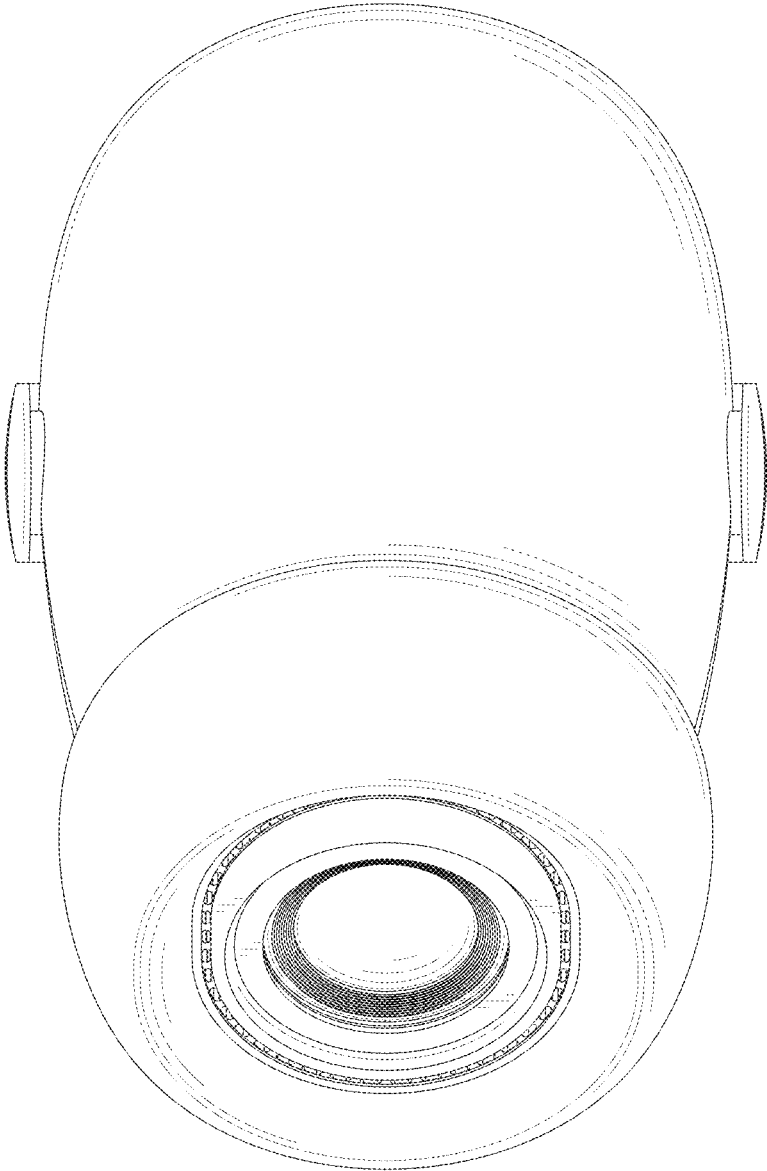


FIG. 7

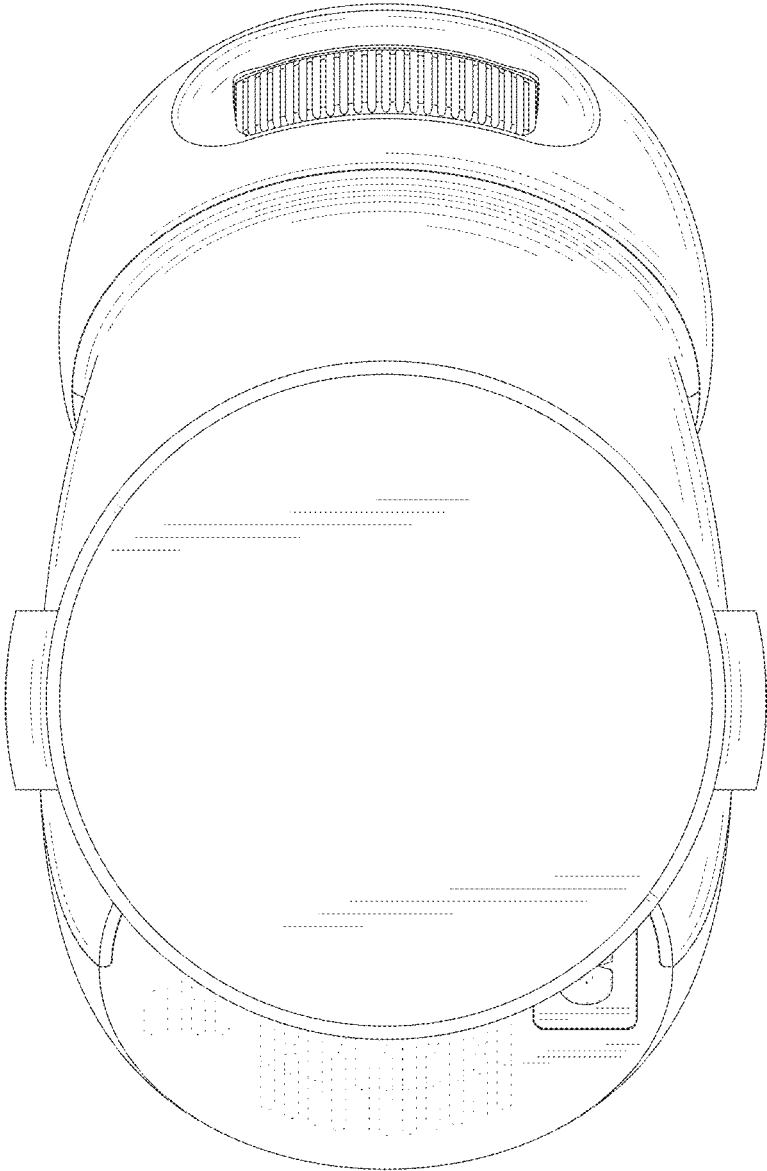


FIG. 8

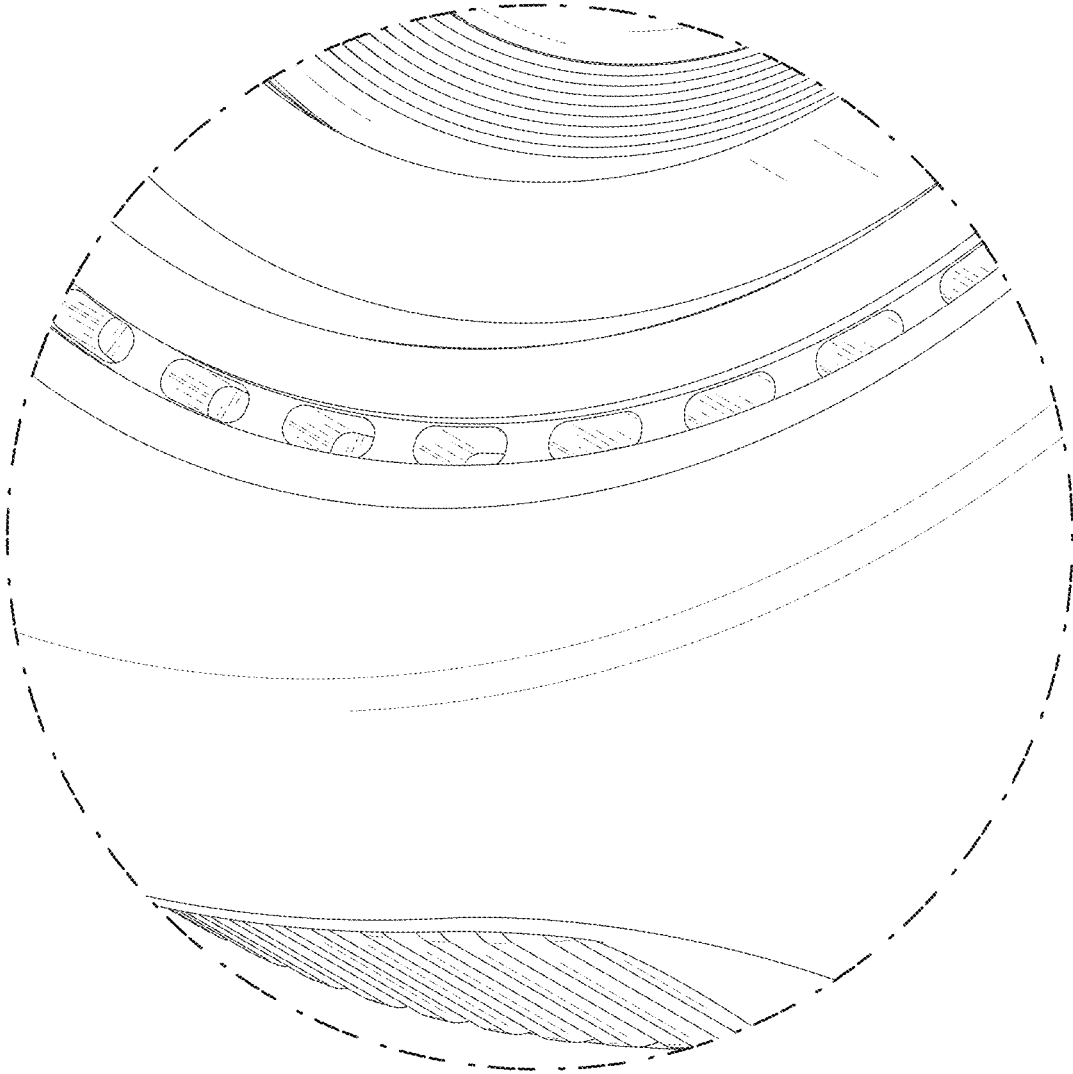


FIG. 9