



US00D663129S

(12) **United States Design Patent**  
**Greutmann**

(10) **Patent No.:** **US D663,129 S**

(45) **Date of Patent:** **\*\* Jul. 10, 2012**

(54) **CHAIR**

(75) Inventor: **Urs Greutmann, Zuerich (CH)**

(73) Assignee: **Stoll Giroflex AG, Koblenz (CH)**

(\*\*) Term: **14 Years**

(21) Appl. No.: **29/375,763**

(22) Filed: **Sep. 27, 2010**

(30) **Foreign Application Priority Data**

Mar. 31, 2010 (WO) ..... DM/073 538

(51) **LOC (9) Cl.** ..... **06-01**

(52) **U.S. Cl.** ..... **D6/366**

(58) **Field of Classification Search** ..... D6/334-336,  
D6/364, 365, 366, 367, 371, 372, 373, 374,  
D6/376, 379, 380, 498, 500-502; 297/411.28,  
297/411.31, 411.36, 445.1, 446.1, 452.21,  
297/452.29, 452.3, 452.48

See application file for complete search history.

(56) **References Cited**

**U.S. PATENT DOCUMENTS**

D394,961 S \* 6/1998 Fancelli ..... D6/366  
D395,175 S \* 6/1998 Fancelli ..... D6/372

D445,613 S \* 7/2001 Ginat ..... D6/500  
D451,723 S \* 12/2001 Grove ..... D6/500  
D496,812 S \* 10/2004 Chu ..... D6/500  
D517,820 S \* 3/2006 Citterio ..... D6/366  
D544,720 S \* 6/2007 Berbegal Perez ..... D6/366  
D545,076 S \* 6/2007 Dallmann et al. .... D6/366  
D548,993 S \* 8/2007 Fancelli ..... D6/366  
D562,574 S \* 2/2008 Dallmann et al. .... D6/334  
D571,569 S \* 6/2008 Fancelli ..... D6/366  
D652,647 S \* 1/2012 Schaack ..... D6/366

\* cited by examiner

*Primary Examiner* — Mimosa De

(74) *Attorney, Agent, or Firm* — Greenblum & Bernstein,  
P.L.C.

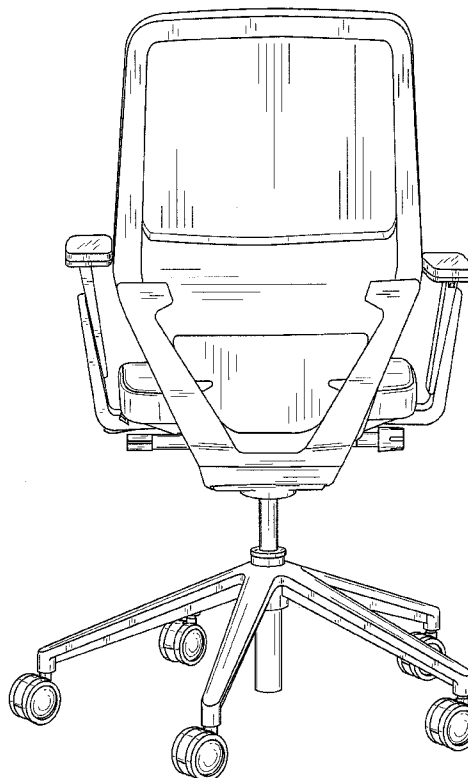
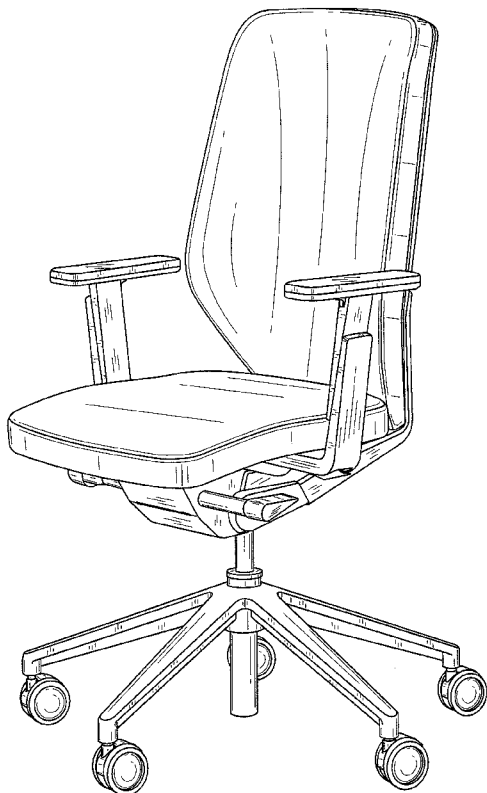
(57) **CLAIM**

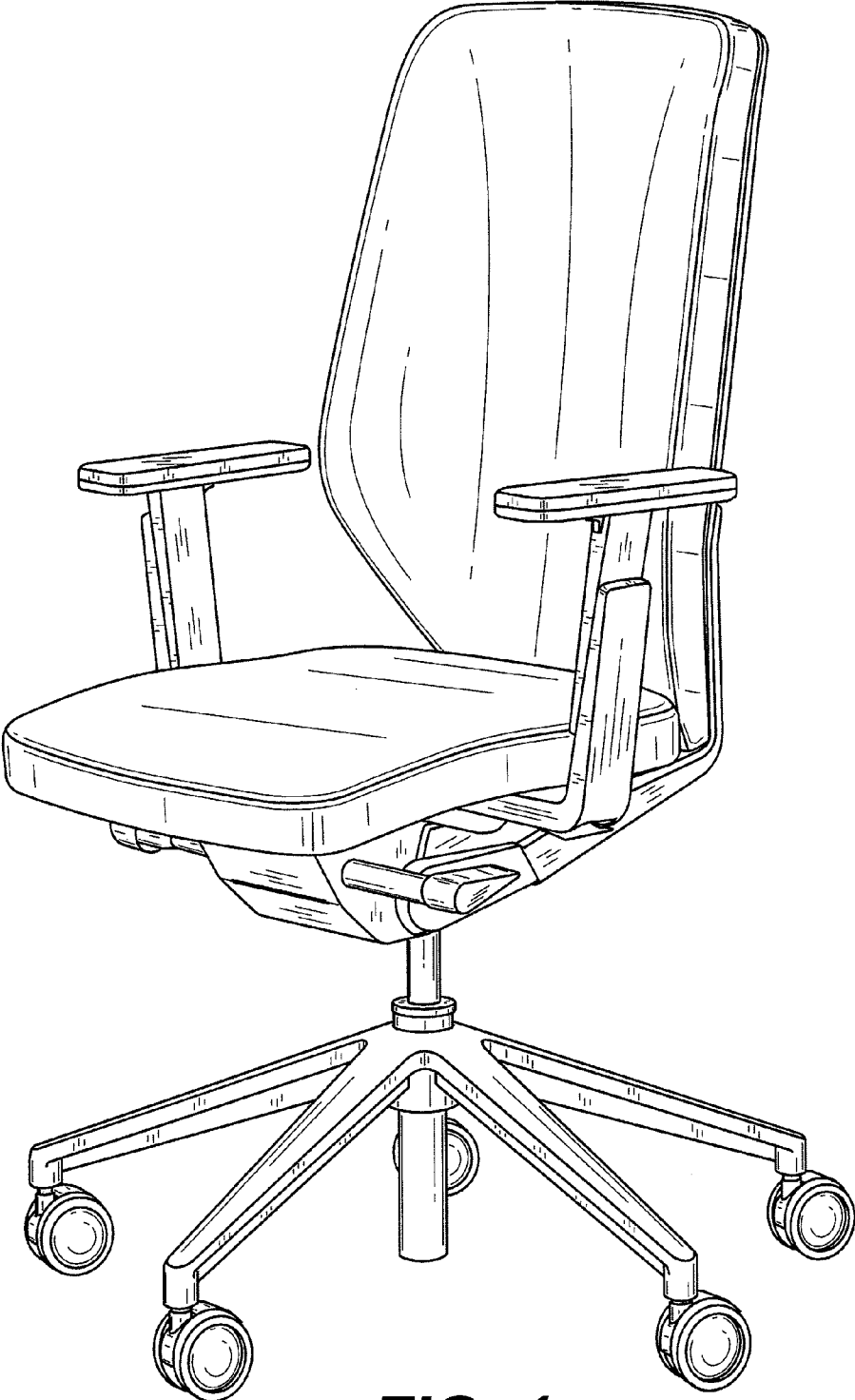
I claim the ornamental design for a chair, as shown and described.

**DESCRIPTION**

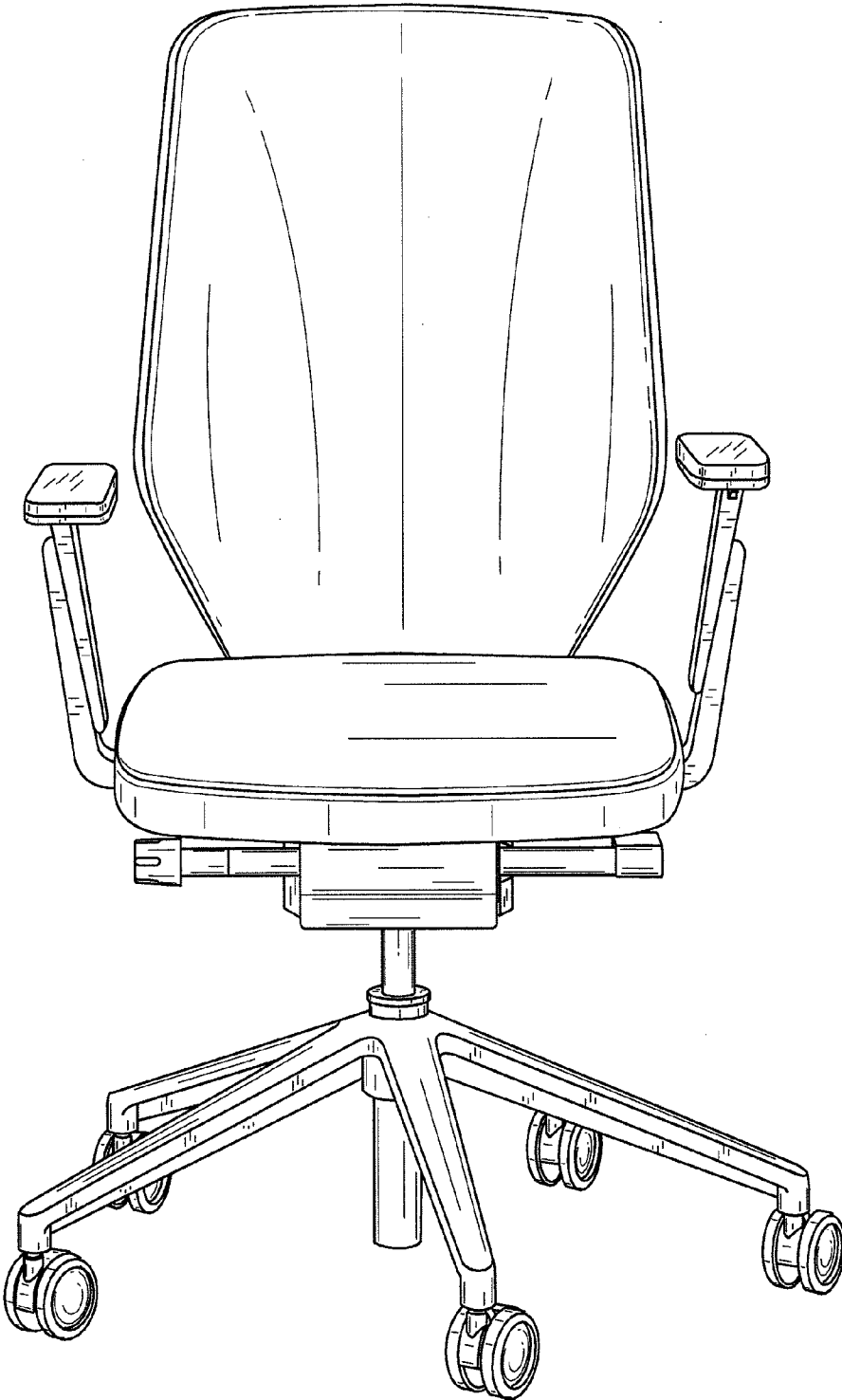
FIG. 1 is a front and right side perspective view of a chair showing my new design;  
FIG. 2 is a front view thereof;  
FIG. 3 is a rear view thereof;  
FIG. 4 is a left side view thereof;  
FIG. 5 is a right side view thereof;  
FIG. 6 is a top view thereof; and,  
FIG. 7 is a bottom view thereof.

**1 Claim, 7 Drawing Sheets**

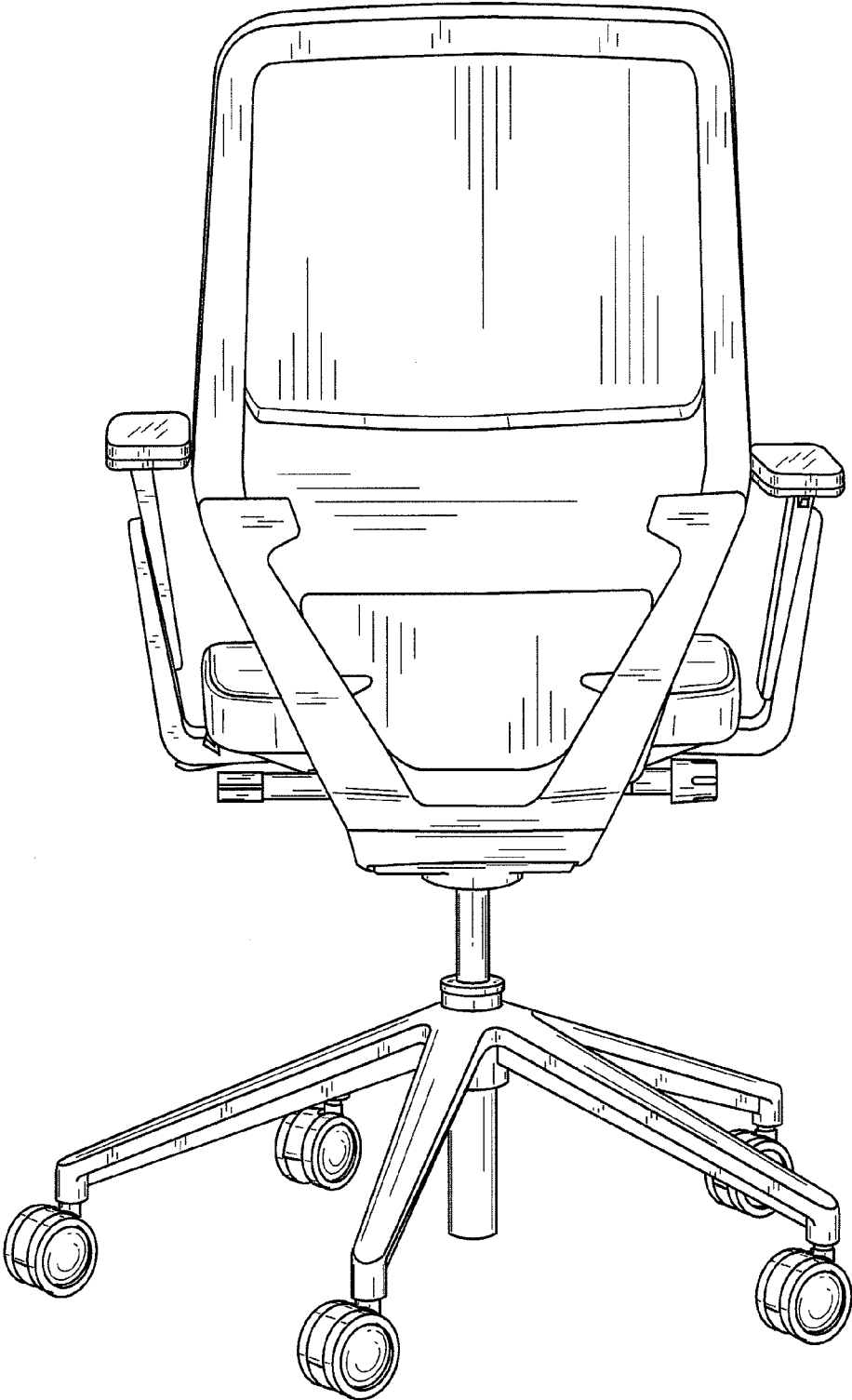




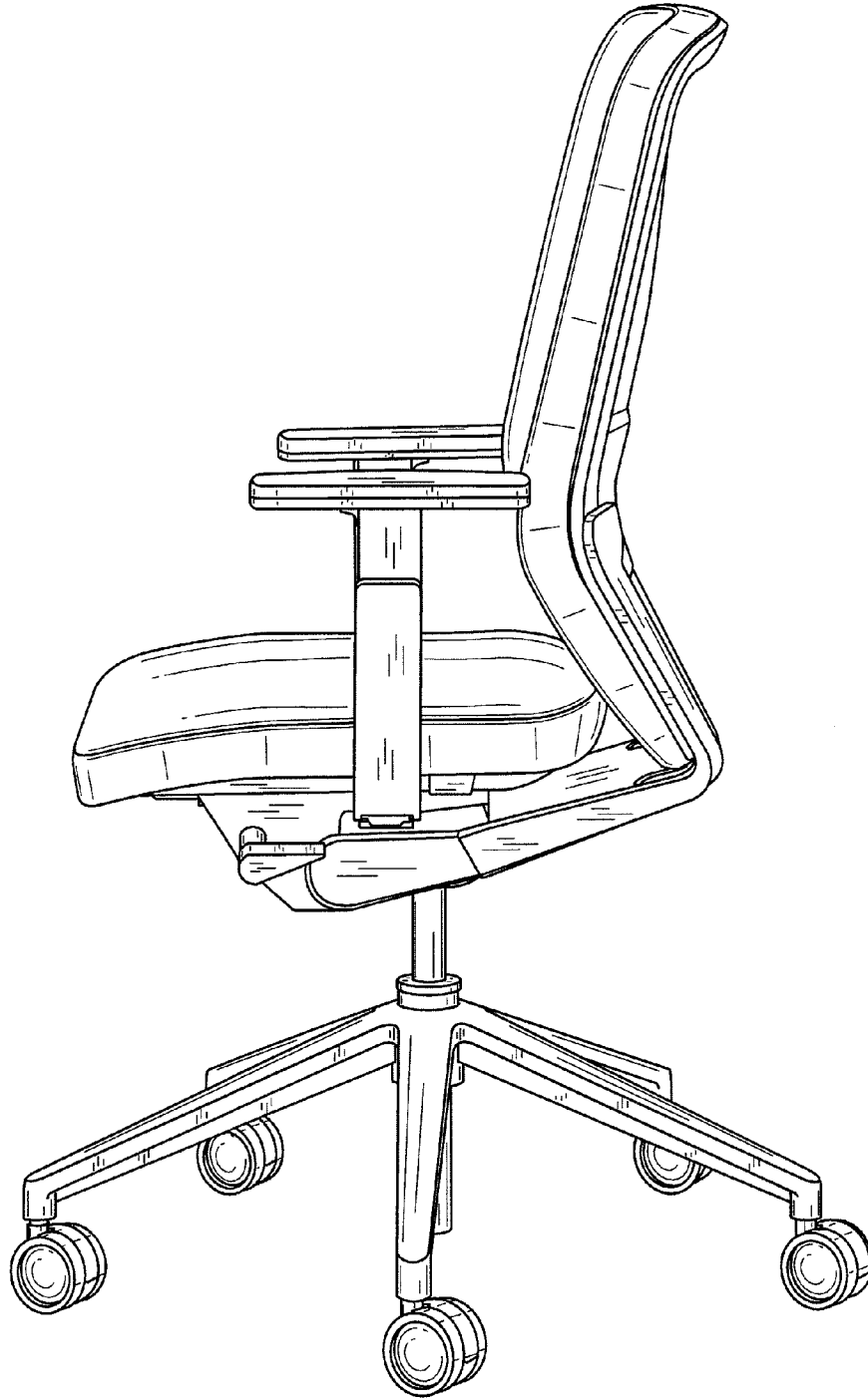
**FIG. 1**



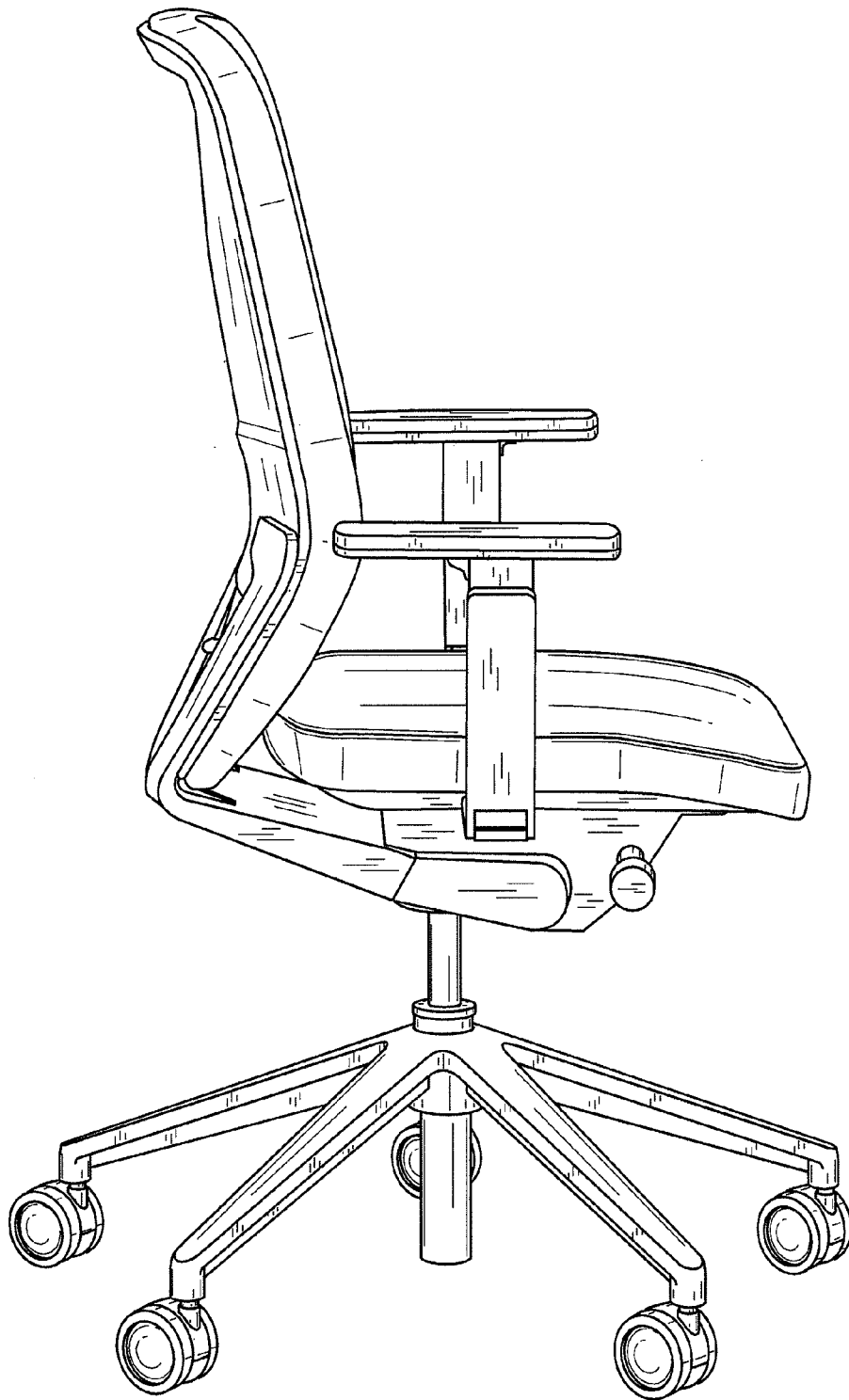
**FIG. 2**



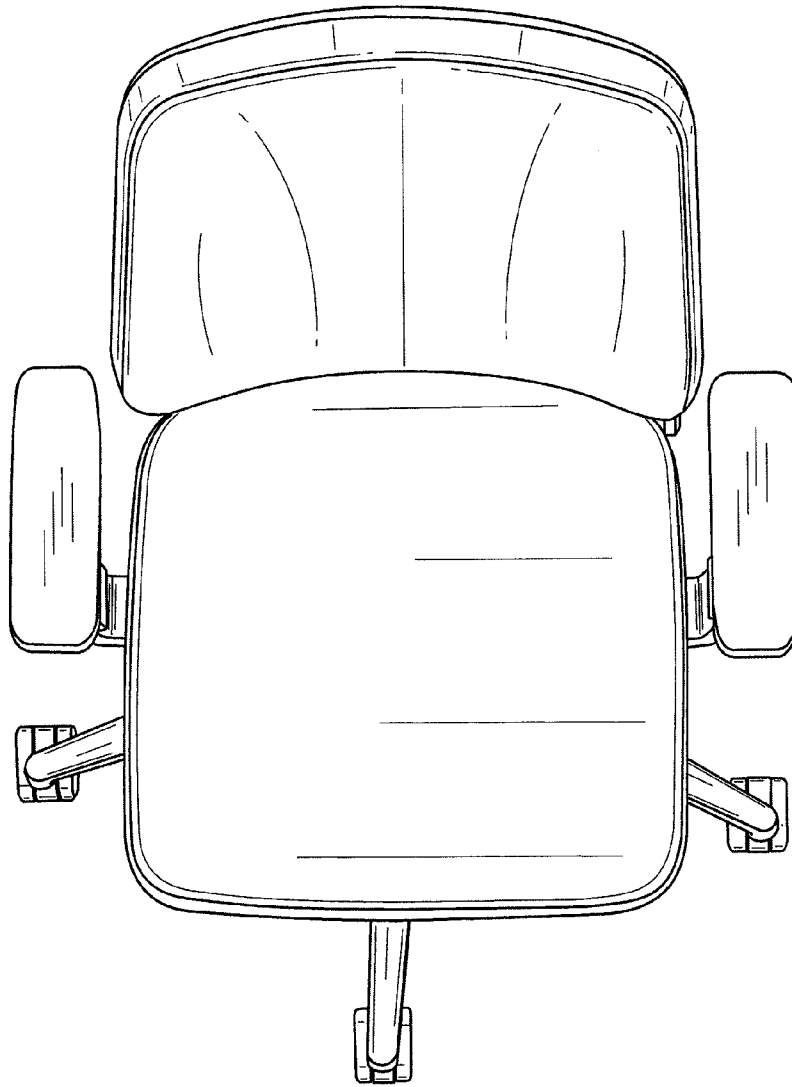
**FIG. 3**



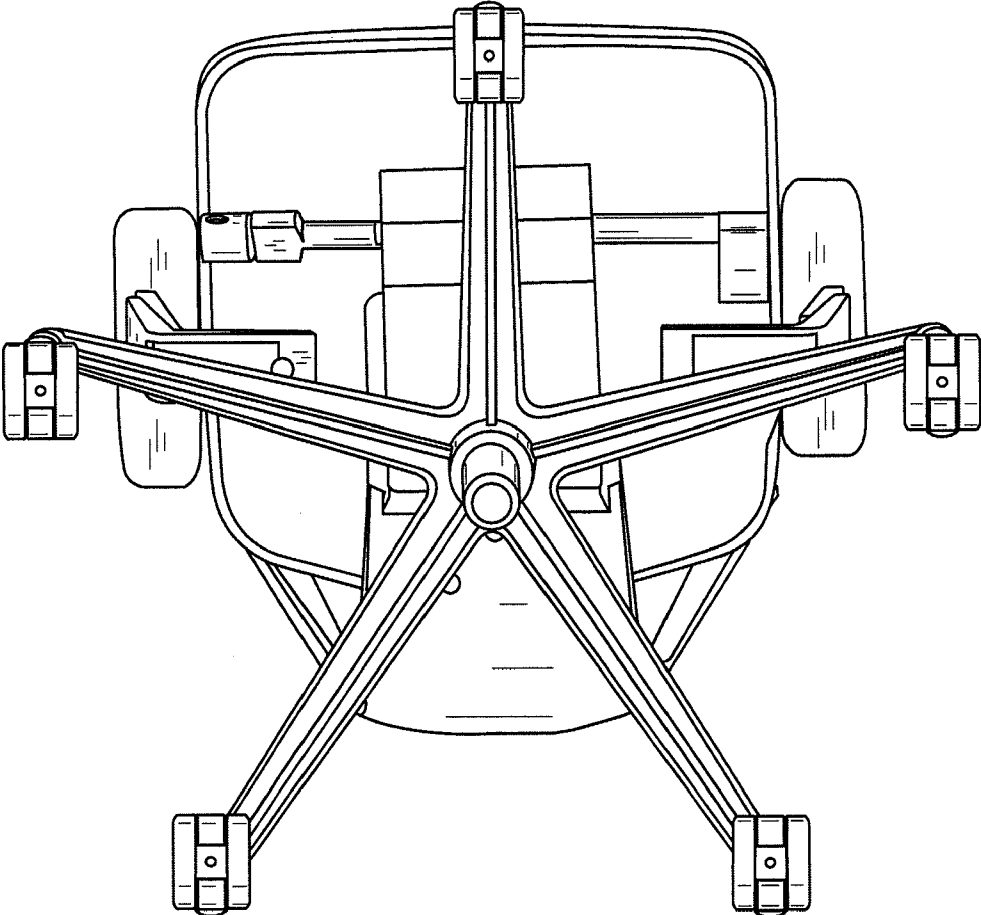
**FIG. 4**



**FIG. 5**



**FIG. 6**



**FIG. 7**