



US00D722880S

(12) **United States Design Patent**
DeMarco

(10) **Patent No.:** **US D722,880 S**

(45) **Date of Patent:** **** Feb. 24, 2015**

- (54) **BOTTLE**
 - (75) Inventor: **Jenny DeMarco**, Frisco, TX (US)
 - (73) Assignee: **Mary Kay Inc.**, Addison, TX (US)
 - (**) Term: **14 Years**
 - (21) Appl. No.: **29/426,340**
 - (22) Filed: **Jul. 3, 2012**
 - (51) **LOC (10) Cl.** **09-01**
 - (52) **U.S. Cl.**
USPC **D9/529; D9/558; D9/559**
 - (58) **Field of Classification Search**
USPC D9/500–505, 516, 519, 529–530,
D9/537–539, 541–542, 549, 556, 558,
D9/559–560, 574–575, 444–445,
D9/453–454; 215/381–384
- See application file for complete search history.

D286,018 S	10/1986	O'Reilly	D9/661
D286,022 S	10/1986	O'Reilly	D9/544
D286,858 S	11/1986	Giorgio	D9/519
D286,982 S	12/1986	Durand	D9/529
D286,983 S	12/1986	Durand	D9/545
D286,985 S	12/1986	Durand	D9/542
D289,142 S	4/1987	Bijaoui	D9/546
D290,230 S	6/1987	Durand	D9/544
D290,231 S	6/1987	Durand	D9/544
D290,443 S	6/1987	Durand	D9/545
D293,492 S	12/1987	Kemmerer	D28/76
D293,944 S	1/1988	Trabattoni	D28/76
D294,403 S	2/1988	Trabattoni	D28/5
D295,608 S	5/1988	Tonduti	D9/629
D302,386 S	7/1989	Sala	D9/529
D302,660 S	8/1989	Durand	D9/574
D305,404 S	1/1990	Perrin	D9/651
D306,401 S	3/1990	Durand	D9/544

(Continued)

Primary Examiner — Carol P Rademaker
(74) *Attorney, Agent, or Firm* — Fulbright & Jaworski LLP

(57) **CLAIM**
The ornamental designs for bottle, as shown and described.

(56) **References Cited**

U.S. PATENT DOCUMENTS

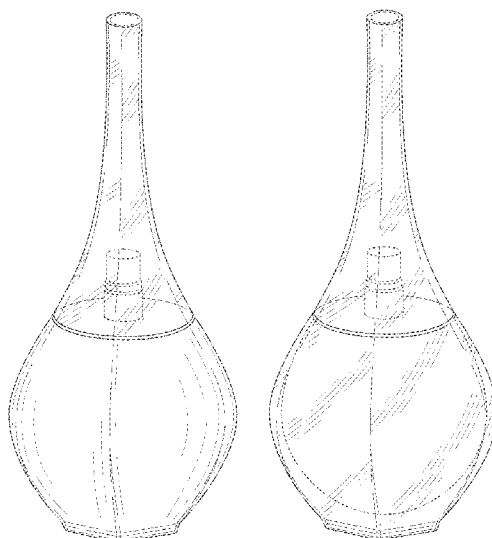
D33,631 S	*	12/1900	Klumpp et al.	D9/505 X
D66,395 S	*	1/1925	Andrew	D9/538
D183,939 S	*	11/1958	Loewy	D9/545 X
D196,985 S	*	11/1963	Schnering et al.	D9/644
D212,525 S	*	10/1968	Kneapler	D9/500
D258,201 S		2/1981	Cassini	D9/669
D263,281 S		3/1982	Smith	D9/529
D263,564 S		3/1982	Smith et al.	D9/544
D268,009 S		2/1983	Hirsh	D9/504
D268,988 S		5/1983	Hirsh	D9/504
D270,238 S	*	8/1983	Vilval	D9/504
D271,082 S		10/1983	Jackson	D9/651
D277,455 S		2/1985	Tordjman	D9/546
D277,456 S		2/1985	Kanouï	D9/529
D278,032 S		3/1985	De Mourgues	D9/561
D280,294 S		8/1985	Resnick	D9/629
D283,981 S		5/1986	Culbreath	D9/529
D284,942 S		8/1986	Dinand	D9/542
D284,980 S	*	8/1986	Yoshida	D19/41
D285,053 S		8/1986	Marchetti	D9/544

DESCRIPTION

FIG. 1 is a top, rear, right side perspective view of a first embodiment of a bottle of the claimed design;
 FIG. 2 is a front elevational view thereof;
 FIG. 3 is a left side elevational view thereof;
 FIG. 4 top plan view thereof;
 FIG. 5 is a bottom plan view thereof;
 FIG. 6 is a top, rear, right side perspective view of a second embodiment of the bottle of the claimed design;
 FIG. 7 is a front elevational view thereof;
 FIG. 8 is a left side elevational view thereof;
 FIG. 9 top plan view thereof; and,
 FIG. 10 is a bottom plan view thereof.

The broken lines shown in the drawing views are included for the purpose of showing environmental structure that forms no part of the claimed design.

1 Claim, 6 Drawing Sheets



(56)

References Cited

U.S. PATENT DOCUMENTS

D306,560 S	3/1990	Durand	D9/562	D412,851 S	8/1999	Nosella	D9/548
D306,694 S *	3/1990	Beier-Rosetti	D9/529	D414,424 S	9/1999	Degliame	D9/542
D308,581 S	6/1990	Macchi	D28/5	D415,032 S	10/1999	Gaskey	D9/522
D310,626 S	9/1990	Dinand	D9/638	D415,036 S	10/1999	Mansau	D9/546
D313,748 S	1/1991	Dinand	D9/574	D421,912 S	3/2000	Nosella	D9/560
D314,332 S	2/1991	Sgariboldi	D9/544	D421,914 S	3/2000	Boucheron	D9/569
D315,097 S	3/1991	Sgariboldi	D9/567	D422,507 S	4/2000	Luzzi et al.	D9/544
D315,300 S	3/1991	Dinand	D9/574	D422,899 S	4/2000	Kudo	D9/687
D315,499 S	3/1991	Durand	D9/574	D423,937 S	5/2000	Dinand	D9/523
D316,223 S	4/1991	Dinand	D9/548	D425,785 S	5/2000	Hirato et al.	D9/689
D317,258 S	6/1991	Dinand	D9/545	D427,516 S	7/2000	Legros	D9/632
D318,797 S	8/1991	Cohen	D9/663	D438,097 S	2/2001	Krunas	D9/694
D319,014 S	8/1991	Di Nuccio	D9/574	D455,343 S	4/2002	Gatti	D9/663
D319,184 S	8/1991	Monod	D9/523	D472,469 S	4/2003	Versace	D9/503
D319,971 S	9/1991	Rhodes	D9/505	D473,467 S	4/2003	Lecoule	D9/516
D323,459 S	1/1992	Cassini	D9/670	D477,535 S *	7/2003	Thorpe	D9/588 X
D324,336 S	3/1992	Desgrippes	D9/545	D487,020 S *	2/2004	Blank et al.	D9/574 X
D325,166 S	4/1992	Versace	D9/544	D496,286 S	9/2004	Krunas	D9/572
D325,346 S	4/1992	Aliano et al.	D9/544	D500,448 S	1/2005	Krunas	D9/572
D325,525 S	4/1992	Aliano et al.	D9/544	D519,845 S *	5/2006	Ortiz	D9/556 X
D325,698 S	4/1992	Cavazza	D9/544	D520,374 S	5/2006	Herrmann et al.	D9/561
D329,383 S	9/1992	Boucheron	D9/529	D520,879 S	5/2006	Antretter	D9/683
D329,596 S	9/1992	Dinand	D9/544	D526,567 S	8/2006	Dalton	D9/544
D330,783 S	11/1992	Dinand et al.	D28/91.1	D531,912 S	11/2006	Antretter	D9/546
D331,366 S	12/1992	Cassini	D9/670	D534,806 S	1/2007	Antretter	D9/546
D332,053 S	12/1992	Sabbia	D9/549	D536,434 S *	2/2007	DongSheng	D23/366
D335,453 S	5/1993	Marti	D9/516	D538,675 S	3/2007	Dalton	D9/573
D337,272 S	7/1993	Joo	D9/529	D540,173 S	4/2007	Obuchi	D9/521
D338,157 S	8/1993	Desgrippes	D9/663	D545,208 S	6/2007	Modjeski	D9/546
D338,833 S	8/1993	Dinand	D9/516	D546,690 S *	7/2007	Rashid	D9/522
D340,191 S	10/1993	Boussiquet	D9/546	D548,084 S	8/2007	Dittmer et al.	D9/504
D341,321 S	11/1993	De Silva	D9/519	D549,582 S	8/2007	Lloyd et al.	D9/529
D341,773 S	11/1993	Dinand	D9/693	D549,587 S	8/2007	Lestelle	D9/560
D348,333 S	6/1994	Perrin et al.	D28/91.1	D558,050 S	12/2007	Urcun	D9/529
D354,229 S	1/1995	Desgrippes	D9/503	D558,057 S	12/2007	De Baschmakoff	D9/561
D355,124 S	2/1995	Ricci	D9/503	D562,145 S	2/2008	Mendelson	D9/560
D355,602 S	2/1995	Buettner et al.	D9/505	D563,790 S	3/2008	Fridman	D9/522
D357,632 S	4/1995	Dinand	D9/545	D566,573 S	4/2008	Lestelle	D9/560
D358,332 S	5/1995	Schneider et al.	D9/526	D567,666 S *	4/2008	Hessmer et al.	D9/686
D359,688 S	6/1995	Rosen	D9/504	D568,163 S *	5/2008	Melrose et al.	D9/538
D360,823 S	8/1995	Dinand	D9/693	D570,690 S *	6/2008	McGuinness	D9/519 X
D369,978 S	5/1996	Mohamed	D9/529	D575,643 S	8/2008	Florio	D9/529
D378,354 S	3/1997	Varlet	D9/544	D586,657 S *	2/2009	Pritchett, Jr.	D9/559 X
D378,801 S	4/1997	Blanche	D9/691	D586,658 S *	2/2009	Pritchett, Jr.	D9/539
D378,897 S *	4/1997	du Grenier et al.	D9/546	D589,362 S	3/2009	Takounseun	D9/691
D379,766 S	6/1997	Schneider	D9/542	D592,973 S	5/2009	Kim	D9/719
D380,390 S	7/1997	Varlet	D9/558	D596,950 S *	7/2009	Nevins et al.	D9/691 X
D381,914 S	8/1997	Dinand	D9/545	D606,407 S	12/2009	Fadelli	D9/504
D383,068 S	9/1997	Dinand	D9/522	D610,013 S	2/2010	Mendelson	D9/522
D387,989 S	12/1997	Chahed	D9/517	D611,836 S	3/2010	Mansau	D9/661
D387,991 S	12/1997	Chahed	D9/519	7,673,765 B2 *	3/2010	Pritchett, Jr.	215/382 X
D390,783 S	2/1998	Schneider et al.	D9/503	D621,268 S *	8/2010	Morabito	D9/529
D391,495 S	3/1998	Dinand	D9/573	D622,614 S *	8/2010	DeMarco	D9/691
D395,240 S	6/1998	Dinand	D9/526	D623,066 S	9/2010	Mongeon	D9/529
D398,243 S	9/1998	Dinand	D9/548	D626,421 S	11/2010	Szymula	D9/559
D405,001 S *	2/1999	Calo	D9/559 X	D630,101 S	1/2011	Lloyd	D9/558
D406,241 S	3/1999	Dinand	D9/523	D638,304 S	5/2011	Aebi	D9/652
D407,319 S	3/1999	Maddy	D9/544	D640,137 S	6/2011	Martone	D9/559
D407,651 S	4/1999	Perrin	D9/572	D643,724 S	8/2011	Donnelly et al.	D9/521
D411,458 S	6/1999	De Baschmakoff	D9/544	D643,733 S	8/2011	Aebi	D9/544
D412,276 S	7/1999	Arslanian	D9/661	D644,110 S	8/2011	Jagger	D9/548
D412,283 S	7/1999	De Baschmakoff	D9/544	D649,470 S	11/2011	Bakalis	D9/559
D412,667 S	8/1999	Nosella	D9/548	D649,472 S	11/2011	Bakalis	D9/561
				D649,478 S	11/2011	Kim	D9/719
				D708,790 S *	7/2014	Schlatter	D9/529 X

* cited by examiner

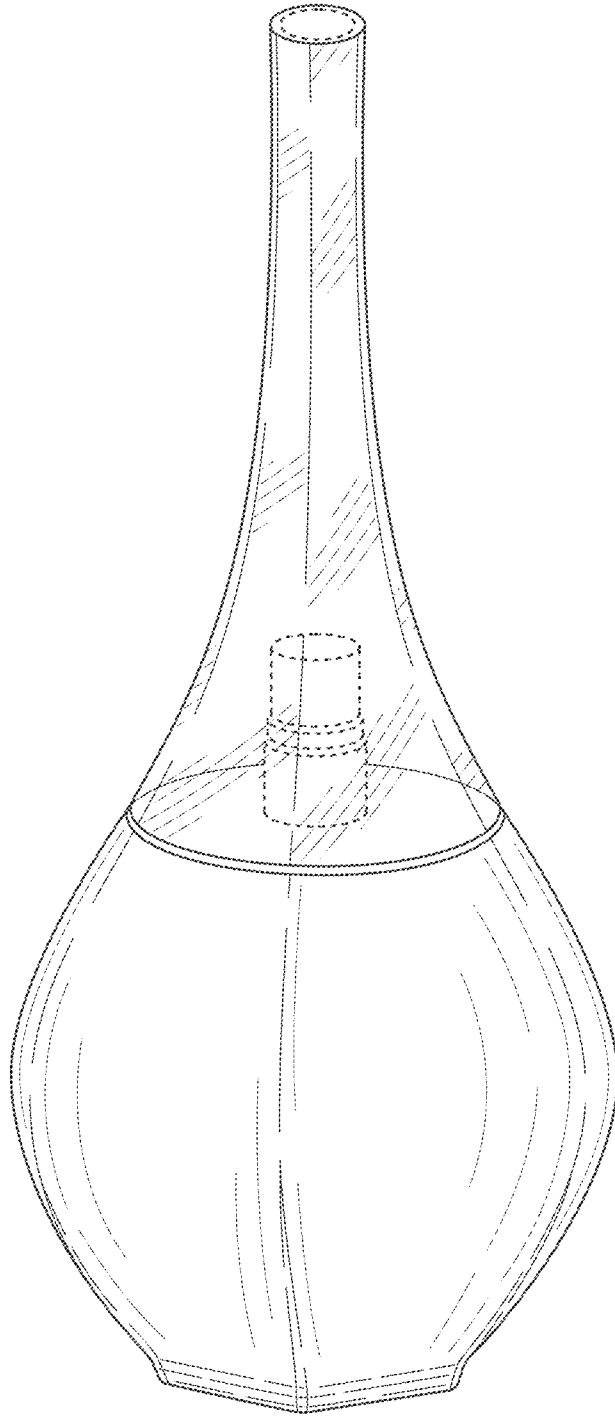


FIG. 1

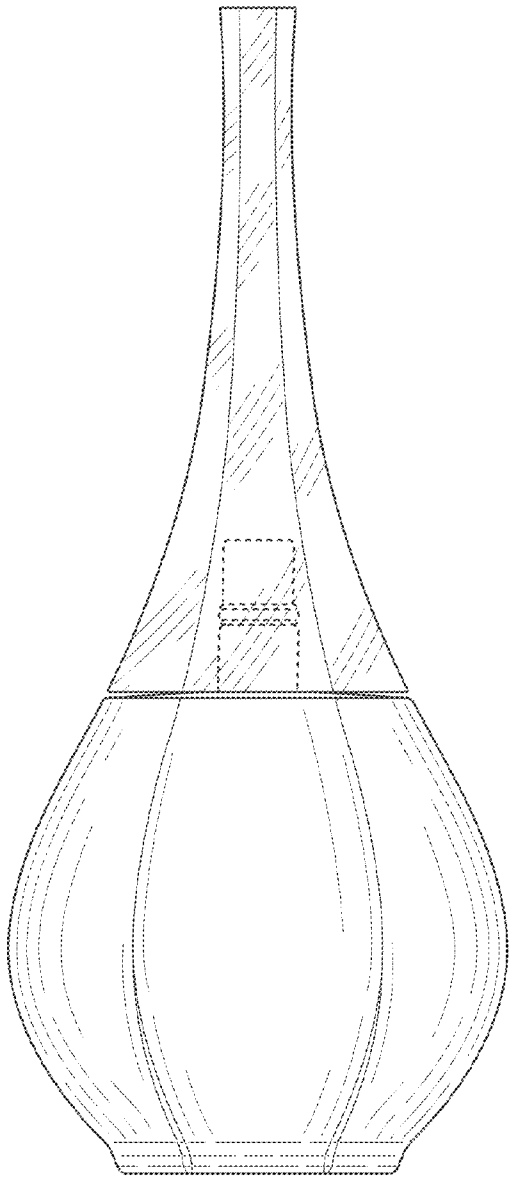


FIG. 2

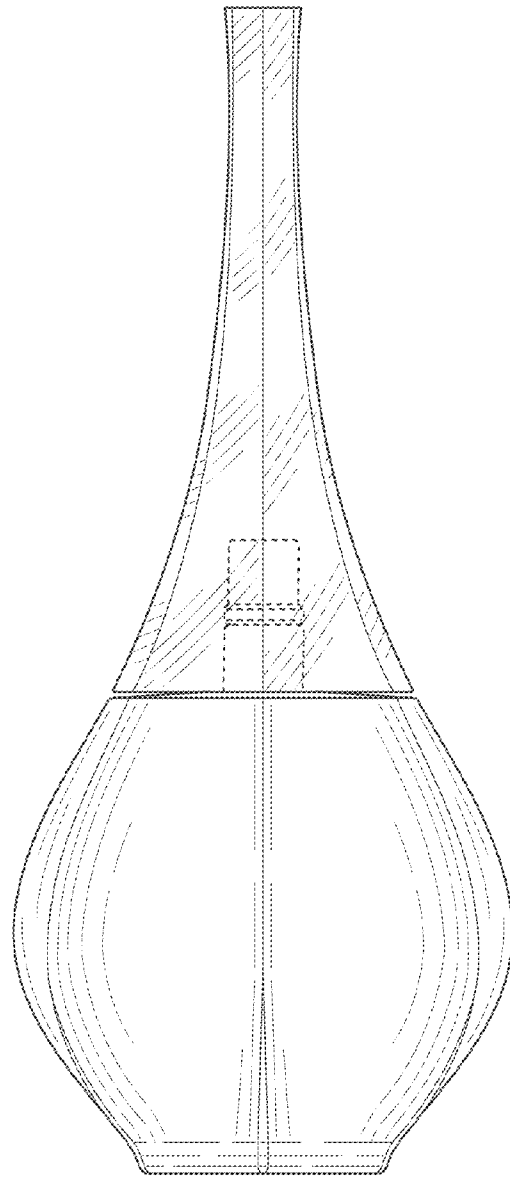


FIG. 3

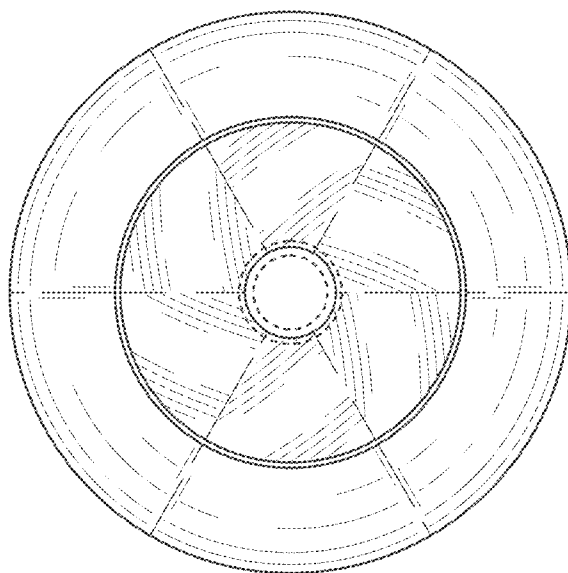


FIG. 4

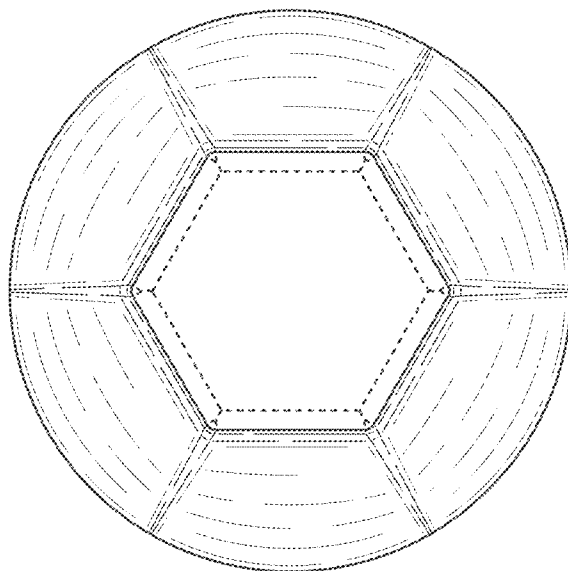


FIG. 5

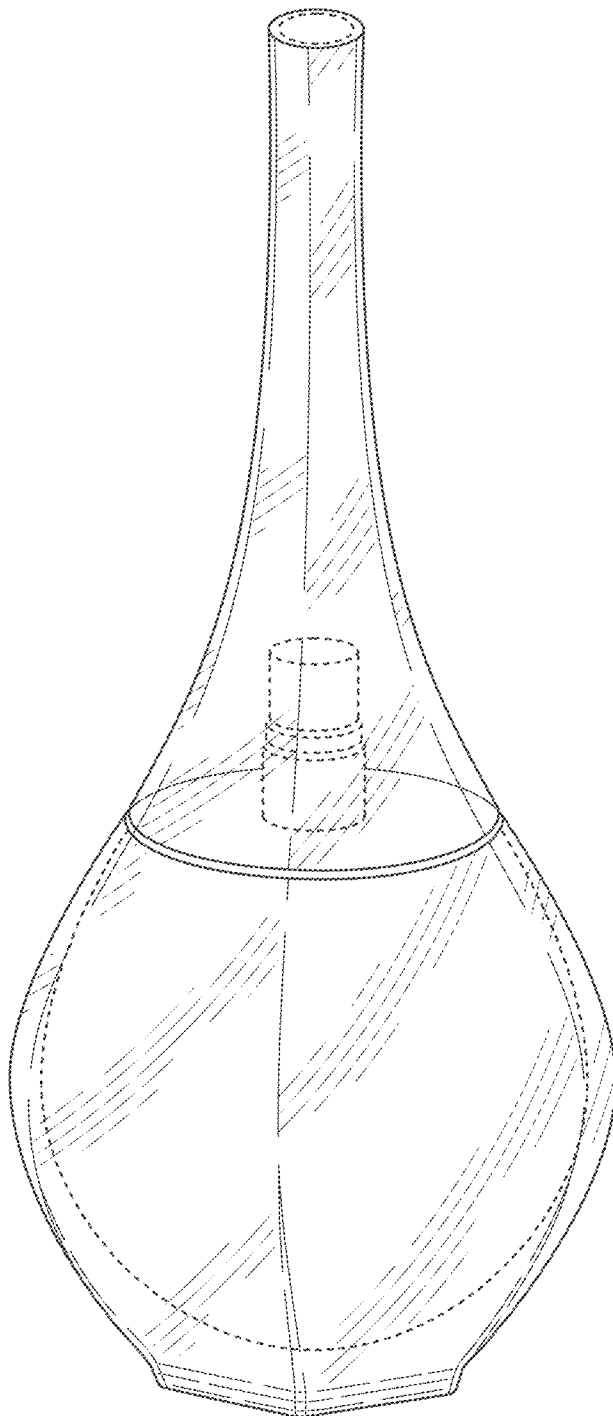


FIG. 6

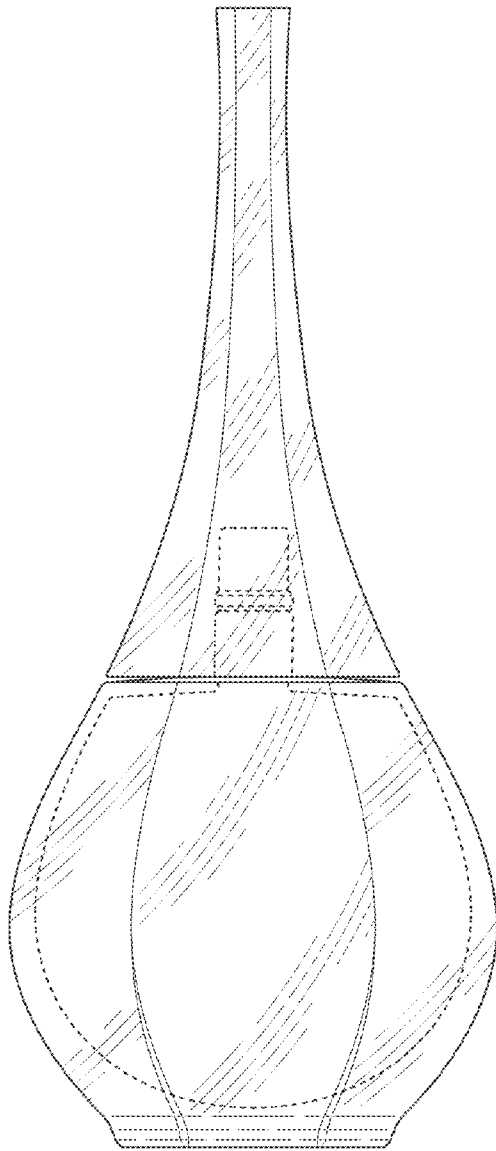


FIG. 7

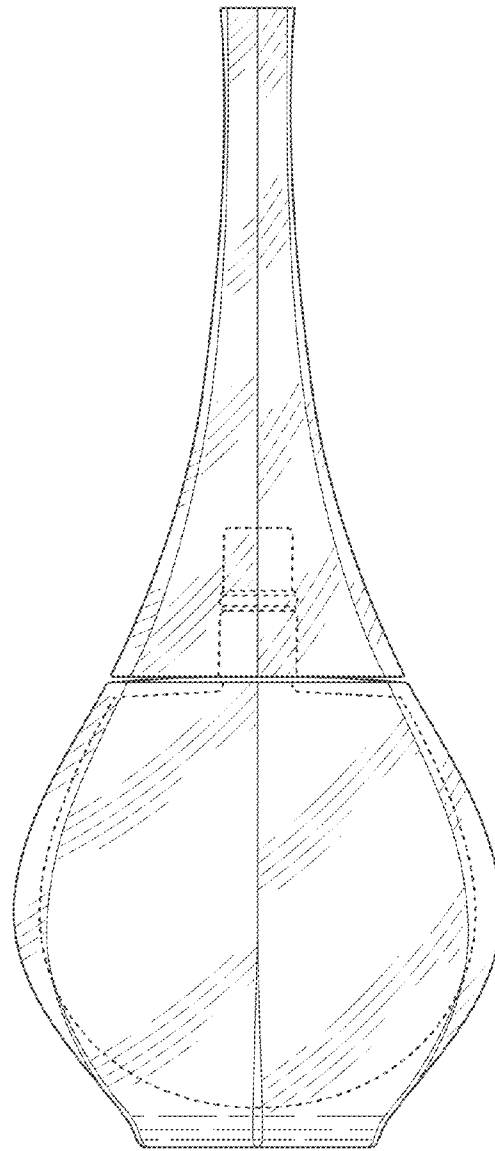


FIG. 8

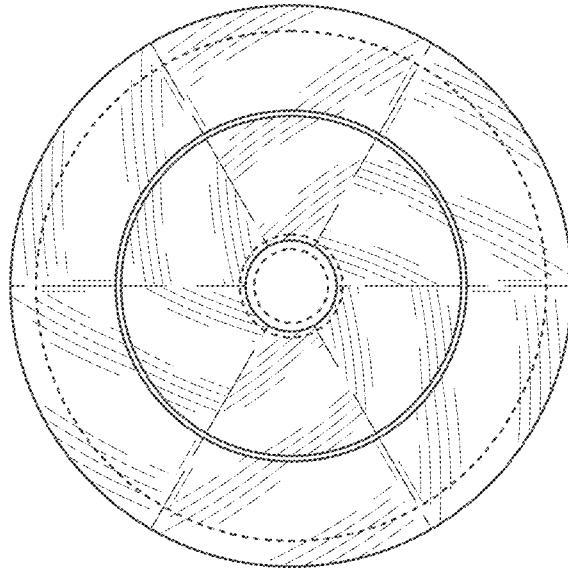


FIG. 9

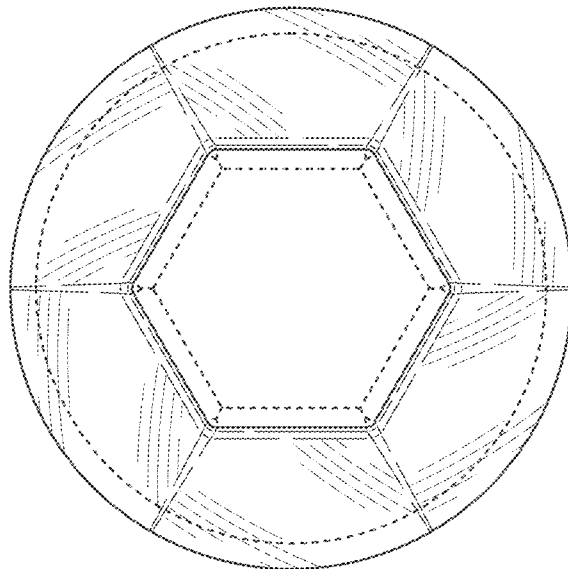


FIG. 10