

(19) World Intellectual Property Organization
International Bureau



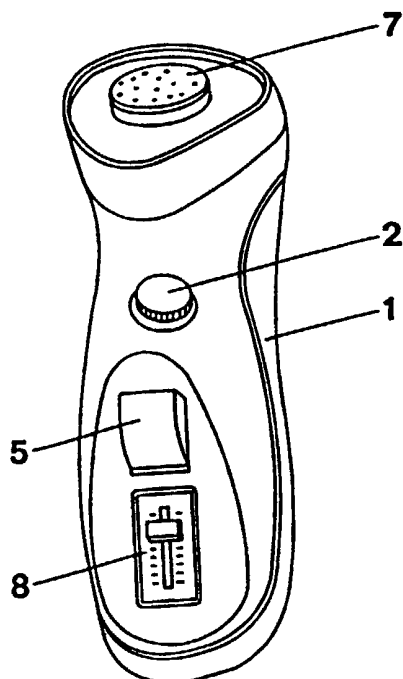
(43) International Publication Date
9 August 2001 (09.08.2001)

PCT

(10) International Publication Number
WO 01/56530 A2

- (51) International Patent Classification⁷: A61H 33/06 (74) Agent: MASCIOLI, Alessandro; Via Leonina, 26, I-00184 Roma (IT).
- (21) International Application Number: PCT/IT01/00043 (81) Designated States (national): JP, US.
- (22) International Filing Date: 26 January 2001 (26.01.2001) (84) Designated States (regional): European patent (AT, BE, CH, CY, DE, DK, ES, FI, FR, GB, GR, IE, IT, LU, MC, NL, PT, SE, TR).
- (25) Filing Language: English
- (26) Publication Language: English
- (30) Priority Data: RM2000A000051 4 February 2000 (04.02.2000) IT
Published: — without international search report and to be republished upon receipt of that report
- (71) Applicant and
(72) Inventor: MARAZZA, Graziano [IT/IT]; Via Portuense, 532, I-00149 Roma (IT).
For two-letter codes and other abbreviations, refer to the "Guidance Notes on Codes and Abbreviations" appearing at the beginning of each regular issue of the PCT Gazette.

(54) Title: A DEVICE FOR THE PRODUCTION AND LOCALIZED EMISSION OF VAPOUR FOR DERMATOLOGICAL-AESTHETICAL TREATMENT



(57) Abstract: A device for the production and localized emission of vapour at controlled temperature for aesthetical and dermatological treatments for individual use, that produces a jet of localized vapour that gives the skin moisture at a temperature similar to the one of the warm, moist clothes, and that may be applied also in other cases of aesthetical and dermatological treatments.

WO 01/56530 A2

**A DEVICE FOR THE PRODUCTION AND LOCALIZED
EMISSION OF VAPOUR FOR DERMATOLOGICAL-
AESTHETICAL TREATMENT**

5 The present invention concerns a device for the production and localized emission of vapour at controlled temperature for aesthetical and dermatological treatments.

10 It has been seen that in the most serious cases of sensitization of the skin, e.g. during shaving, the application of moist and warm clothes, instead of creams and lotions, which often are irritating, proves to be always effective for the dilatation of the pores.

15 It is the aim of the present invention to realize a device for individual use that produces a jet of localized vapour that gives the skin the moisture at a temperature similar the one of the warm, moist clothes and that may be applied also in other cases of aesthetical and dermatological treatments.

20 The aim set forth is reached by means of the device according to the present invention, consisting of a structure that may be hold in ones hand, comprising a vapour generator with electric feeding provided with a means for lowering the temperature for obtaining a jet that does not burn the skin so as to bedew the epithelial surface to be
25 treated in times and ways chosen by the user. In a possible table variant, the devices may be provided with a concave structure with

holes for the emission of the vapour jets for bedewing in one single solution the whole of the face.

The advantage of the device according to the present invention is
5 evident.

The device according to the present invention for the production and localized emission of vapour at controlled temperature for
aesthetical and dermatological treatments will be described more in
10 detail hereinbelow relating to the enclosed drawings in which two
embodiments are shown.

Figure 1 shows an axonometric view of a device for the production and localized emission of vapour at controlled temperature for
15 aesthetical and dermatological treatments according to the present
invention.

Figure 2 shows the relative functional block scheme.

20 Figure 3 shows a variant as a facial mask.

The enclosed figures show a device for the production and localized emission of vapour at controlled temperature for aesthetical and dermatological treatments according to the present invention,
25 consisting of:

- a container 1 with a safety tap 2 that contains a liquid L to be vaporized;
- a plurality of radiant elements 3, placed inside said container 1 and working by means of batteries B or line feeding, for heating
5 said liquid L up to reaching the boiling point of the same;
- an electrovalve 4 controlled by a switch 5, that allows the controlled outlet of said vapour that accumulates inside said container 1 due to the ebullition of said liquid L contained therein;
- a cooling element 6 for lowering the temperature of the vapour in
10 outlet to temperatures that are not dangerous for the skin;
- a delivering means 7 for the outlet of the cooled vapour;
- a control means 8 that allows the starting of the device and the regulation of the temperature of said liquid L contained in said container 1.

15

The working of the device according to the present invention and shown in the scheme of figure 2, is the following:

- the liquid L contained in said container 1 is heated by means of said radiant means 3 operated by batteries B or by line feeding,
20 until it reaches its boiling point;
- a pressure onto said switch 5 determines the opening of said electrovalve 4, causing the controlled outlet of the vapour under pressure accumulated inside said container 1 due to the ebullition of said liquid L contained therein;

- the vapour is led through a cooling element 6 where it reaches temperatures that are not dangerous for the skin, and it comes out of the device through outlet 7;
- a control means 8 that allows the starting of the device and the regulation of the temperature of the liquid contained in said container 1.

In the variant shown in figure 3, the vapour inside said container 1 is led, by means of a flexible pipe 9, towards an outlet 10 that is anatomically shaped in such a way as to be directly applied onto the facial areas to be treated, and comes out through vaporizers 11 provided on the internal surface of said outlet 10.

15

20

25

CLAIMS

1. A device for the production and localized emission of vapour at controlled temperature for aesthetical and dermatological treatments, *characterized in:*
 - 5 - a container (1) with a safety tap (2) that contains a liquid (L) to be vaporized;
 - a plurality of radiant elements (3), placed inside said container (1) and working by means of batteries (B) or line feeding, for heating said liquid (L) up to reaching the boiling point of the same;
 - 10 - an electrovalve (4) controlled by a switch (5), that allows the controlled outlet of said vapour that accumulates inside said container (1) due to the ebullition of said liquid (L) container therein;
 - 15 - a cooling element (6) for lowering the temperature of the vapour in outlet to temperatures that are not dangerous for the skin;
 - a delivering means (7) for the outlet of the cooled vapour;
 - 20 - a control means (8) that allows the starting of the device and the regulation of the temperature of said liquid (L) contained in said container (1).
2. A device according to claim 1, *characterized in that* the vapour formed inside said container (1), is led through a flexible pipe (9) towards an outlet (10), anatomically shaped so as to be directly applied onto the facial areas to be treated, and comes out
- 25

through vaporizers (11) provided on the internal surface of said outlet (10).

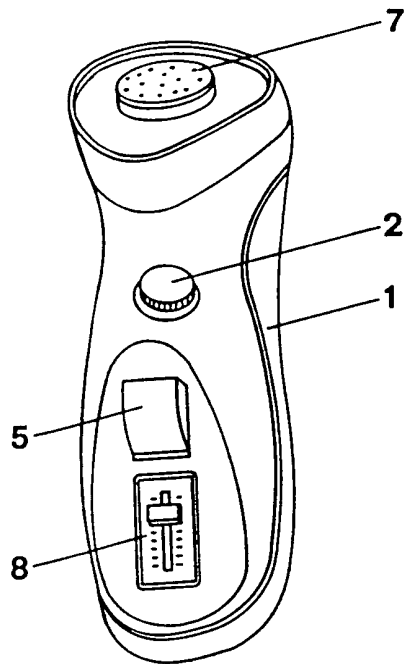


FIG. 1

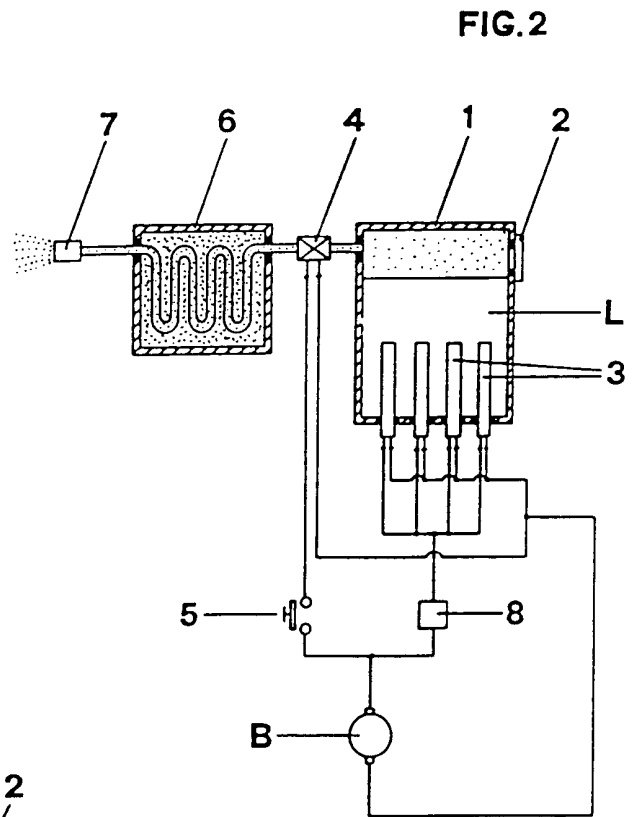


FIG. 2

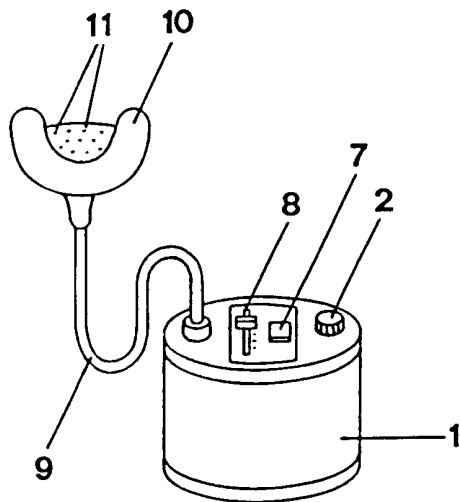


FIG. 3