



US00D811164S

(12) **United States Design Patent**
Kamper et al.

(10) **Patent No.:** **US D811,164 S**

(45) **Date of Patent:** **** Feb. 27, 2018**

- (54) **GAS COOK TOP**
- (71) Applicants: **BSH Home Appliances Corporation**,
Irvine, CA (US); **BSH Hausgeräte GmbH**, Munich (DE)
- (72) Inventors: **Heather Kamper**, Newport Beach, CA (US); **Andy Mok**, Stanton, CA (US)
- (73) Assignees: **BSH Hausgeräte GmbH**, Munich (DE); **BSH Home Appliances Corporation**, Irvine, CA (US)

D551,501 S *	9/2007	Baldwin	D7/408
D552,407 S *	10/2007	Ritterling	D7/340
D702,497 S *	4/2014	Funnell, II	D7/408
D721,538 S *	1/2015	Kim	D7/408
D736,553 S *	8/2015	Funnell, II	D7/339
D789,729 S *	6/2017	Lee	D7/340
2009/0260614 A1 *	10/2009	Scott	F24C 15/006
				126/1 R
2010/0051012 A1 *	3/2010	Martins	F24C 15/107
				126/39 B
2011/0114077 A1 *	5/2011	Mishra	F24C 15/107
				126/39 R
2014/0345597 A1 *	11/2014	Lim	F24C 3/08
				126/39 E

(**) Term: **15 Years**

* cited by examiner

(21) Appl. No.: **29/529,267**

Primary Examiner — Sheryl Lane

(22) Filed: **Jun. 5, 2015**

Assistant Examiner — Nicole C Shiflet

(51) **LOC (11) Cl.** **07-02**

(74) *Attorney, Agent, or Firm* — Michael E. Tschupp;
Andre Pallapies; Brandon G. Braun

(52) **U.S. Cl.**

(57) **CLAIM**

USPC **D7/408**

The ornamental design for a gas cook top, as shown and described.

(58) **Field of Classification Search**

DESCRIPTION

USPC D7/407-409, 402, 339-341, 346-347,
D7/362; D23/397, 402

FIG. 1 is a perspective view of a gas cook top showing our new design;
FIG. 2 is a top view thereof;
FIG. 3 is a left side view thereof;
FIG. 4 is a right side view thereof;
FIG. 5 is a front view thereof; and,
FIG. 6 is a rear view thereof.

CPC F24C 15/107; F24C 15/36; F24C 3/08;
F24C 3/082; F24C 7/067; F24C 7/062;
A47J 37/0709

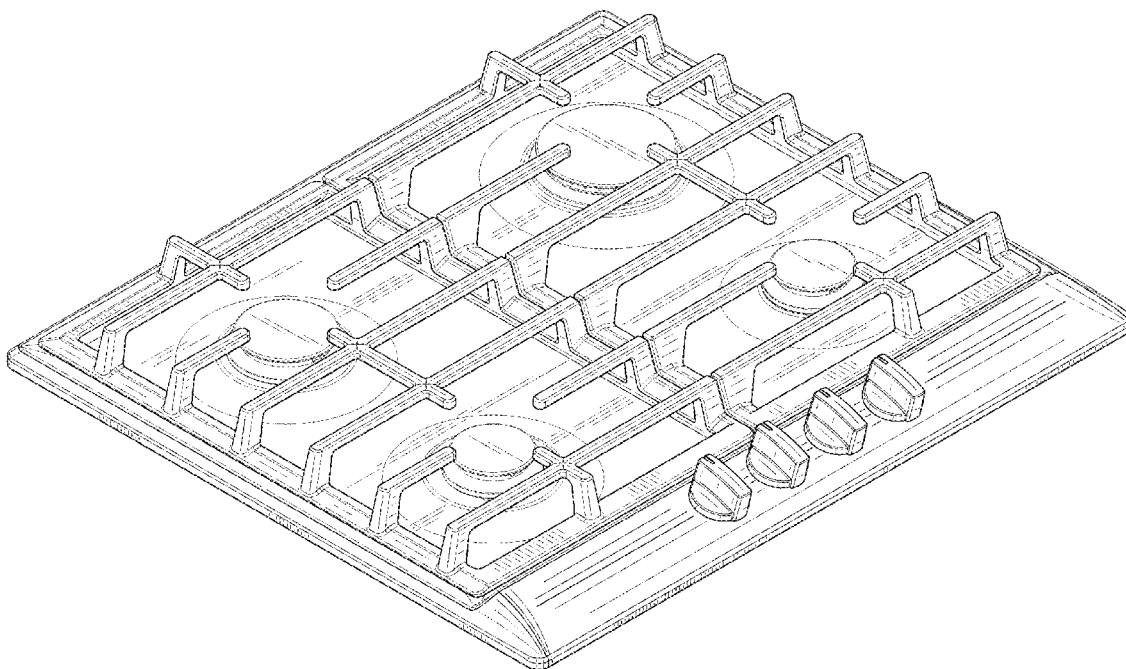
See application file for complete search history.

(56) **References Cited**

U.S. PATENT DOCUMENTS

D378,885 S *	4/1997	Sparks	D7/408
D383,030 S *	9/1997	Beeren	D7/346
D530,972 S *	10/2006	Park	D7/340

1 Claim, 3 Drawing Sheets



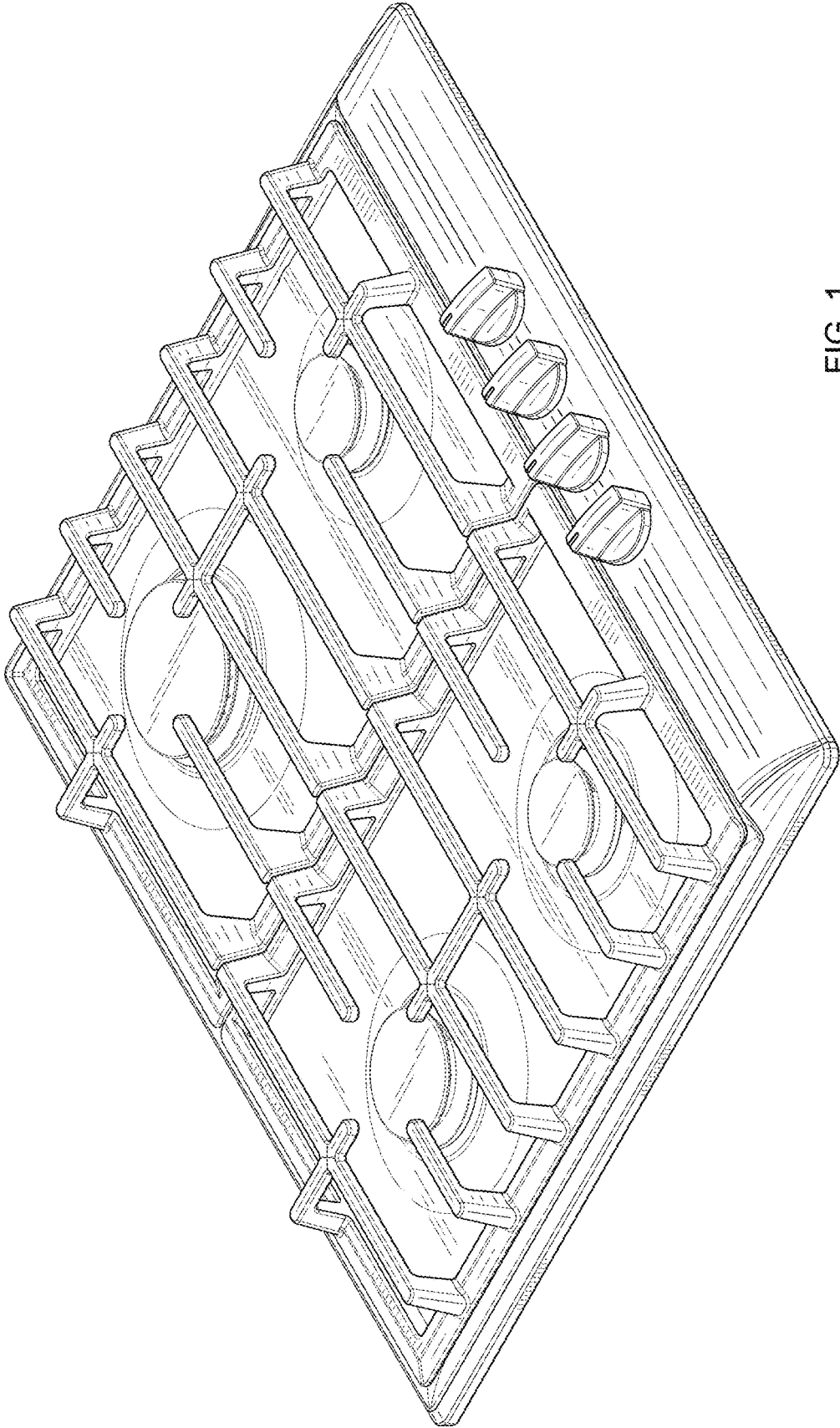


FIG. 1

FIG. 2

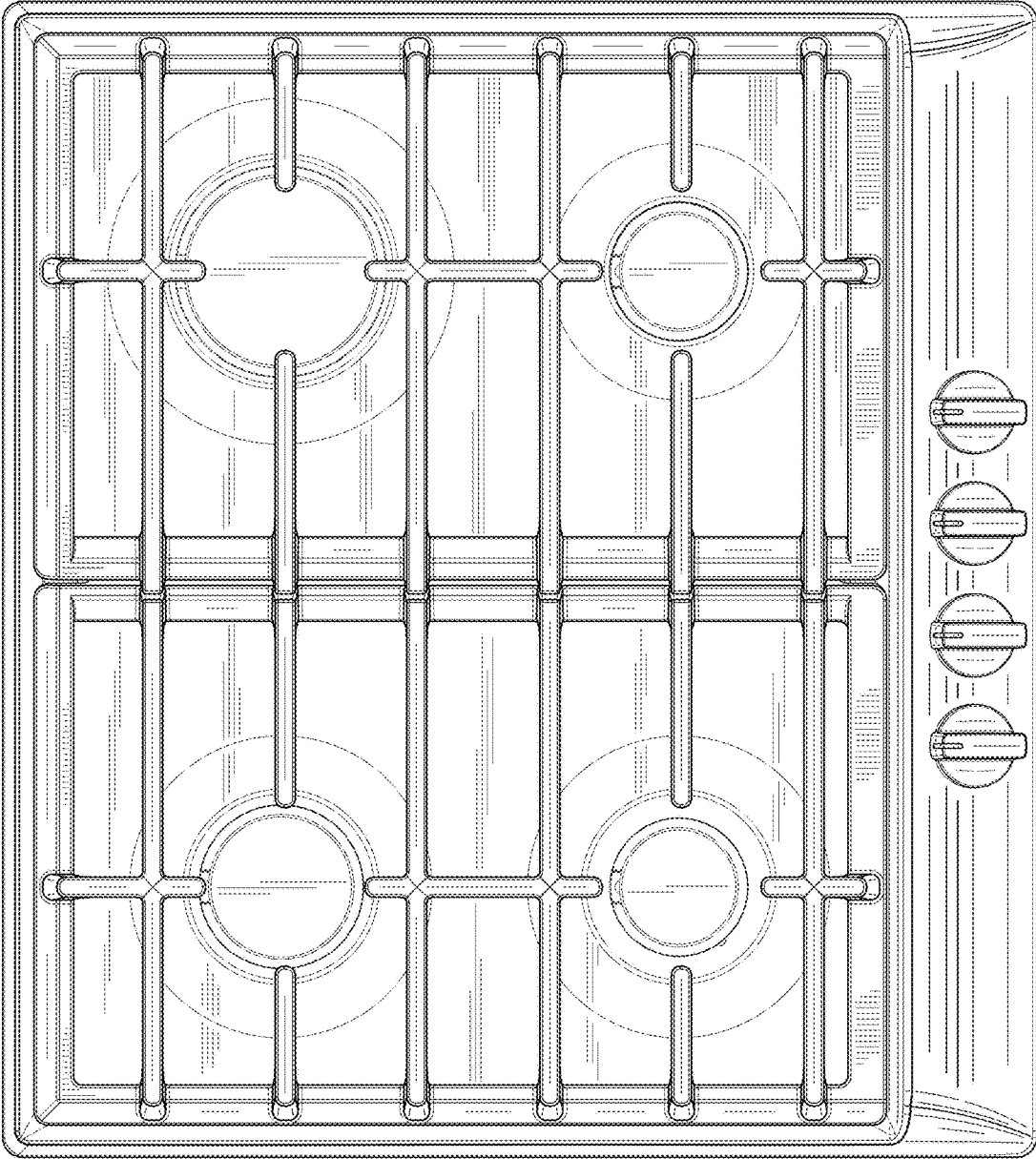


FIG. 3

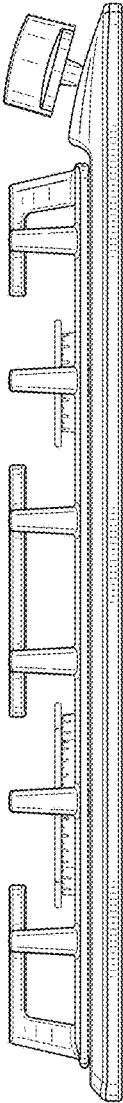


FIG. 4

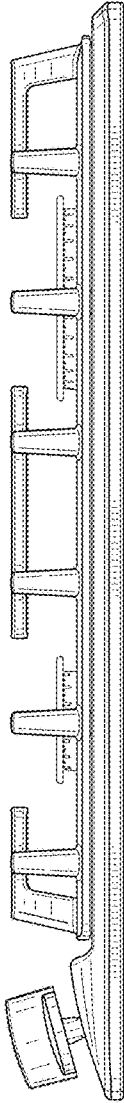


FIG. 5

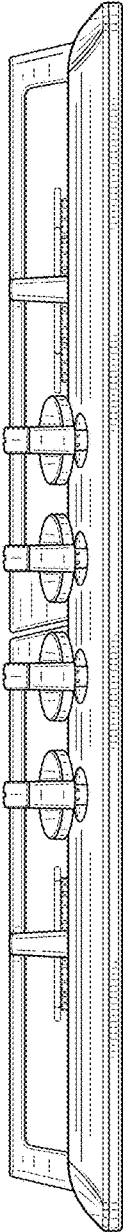


FIG. 6

