



US00D762003S

(12) **United States Design Patent**
Lomeli

(10) **Patent No.:** **US D762,003 S**

(45) **Date of Patent:** **** Jul. 19, 2016**

- (54) **ELECTRONIC VAPORIZATION DEVICE**
- (71) Applicant: **PAX Labs, Inc.**, San Francisco, CA (US)
- (72) Inventor: **Kevin Lomeli**, San Francisco, CA (US)
- (73) Assignee: **PAX Labs, Inc.**, San Francisco, CA (US)
- (**) Term: **14 Years**

D379,810 S	*	6/1997	Giordano, Jr.	D14/138 R
D540,687 S	*	4/2007	Egawa	D9/529
D558,060 S	*	12/2007	Sir	D9/687
D562,151 S	*	2/2008	Larocca	D9/529
D569,727 S	*	5/2008	Moretti	D9/454
D571,556 S	*	6/2008	Raile	D3/265
D573,474 S	*	7/2008	Beam	D9/423
D577,591 S	*	9/2008	Bouroullec	D9/529
D599,670 S	*	9/2009	Qin	D9/529
D616,753 S	*	6/2010	Beam	D9/420
D670,272 S	*	11/2012	Suzuki	D14/217

(Continued)

- (21) Appl. No.: **29/497,578**
- (22) Filed: **Jul. 25, 2014**
- (51) **LOC (10) Cl.** **27-02**
- (52) **U.S. Cl.**
USPC **D27/163**
- (58) **Field of Classification Search**
USPC D27/101, 148, 162-165, 167, 171-173,
D27/182-189, 192-194, 176-181, 191, 169,
D27/123, 105, 108, 190; D8/300, 349-352,
D8/354-356; D13/108, 120, 121, 103.104;
D25/126; D23/355, 356, 360, 370;
D24/110; D9/516, 521, 522, 529, 549,
D9/551, 559, 561, 564, 572-575, 651, 682,
D9/686-694, 724, 738, 747
CPC A24F 15/00; A24F 15/005; A24F 15/02;
A24F 15/04; A24F 15/06; A24F 15/08;
A24F 15/10; A24F 15/12; A24F 15/14;
A24F 15/16; A24F 15/18; A24F 15/20;
A24F 47/00; A24F 47/002; A24F 47/004;
A24F 47/006; A24F 47/008
See application file for complete search history.

(56) **References Cited**

U.S. PATENT DOCUMENTS

D301,837 S	*	6/1989	Peterson	D9/529
D302,659 S	*	8/1989	Peterson	D9/529
D310,171 S	*	8/1990	Cusenza	D9/529
D367,605 S	*	3/1996	Moore	D9/529

OTHER PUBLICATIONS

Electronic Vaporization Device | Pax Vaporizer | Vape World, posted at www.vapeworld.com, posting date not given, @ 2014 vapeworld.com [online] [site visited Nov. 13, 2015]. Available from internet, http://www.vapeworld.com/pax-vaporizer-by-ploom?gclid=CPCi1PKojskCFU06gQodPr.*

(Continued)

Primary Examiner — Susan Bennett Hattan
Assistant Examiner — Jennifer Wright
(74) *Attorney, Agent, or Firm* — Shay Glenn LLP

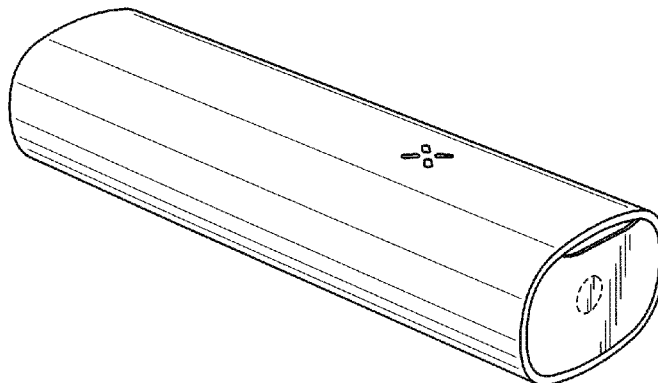
(57) **CLAIM**

The ornamental design for an electronic vaporization device, as shown and described.

DESCRIPTION

FIG. 1 is a perspective view of an electronic vaporization device, showing my new design;
FIG. 2 is a top plan view thereof;
FIG. 3 is a front elevation view thereof;
FIG. 4 is a right side elevation view thereof;
FIG. 5 is a left side elevation view thereof;
FIG. 6 is a rear elevation view thereof; and,
FIG. 7 is a bottom plan view thereof.
The broken lines in the drawings depict parts of the electronic vaporization device that form no part of the claimed design.

1 Claim, 2 Drawing Sheets



(56)

References Cited

OTHER PUBLICATIONS

U.S. PATENT DOCUMENTS

D682,698 S * 5/2013 Young D9/529
D684,683 S * 6/2013 Curti D24/110
D721,972 S * 2/2015 Brewer D9/529
D725,310 S * 3/2015 Eksouzian D27/101
D738,038 S * 9/2015 Smith D27/170
D739,973 S * 9/2015 Chao D13/108
2013/0042865 A1 * 2/2013 Monsees A61M 15/06
128/203.27
2015/0305409 A1 * 10/2015 Verleur A24F 47/008
131/329

Electronic Vaporization Device | Pax Vaporizer | Fuck Combustion |
posted at, www.fuckcombustion.com, posting date not given, @
2010-2015 fuckcombustion.com [online] [site visited Nov. 16,
2015]. Available from internet, [http://fuckcombustion.com/threads/
pax-vaporizer-by-ploom.6223/](http://fuckcombustion.com/threads/pax-vaporizer-by-ploom.6223/).*

* cited by examiner

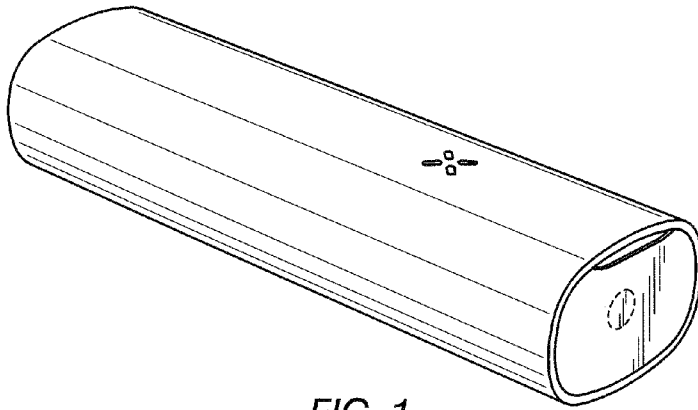


FIG. 1

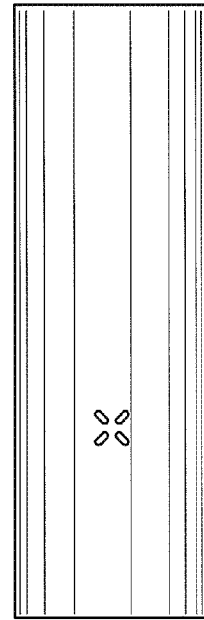


FIG. 2

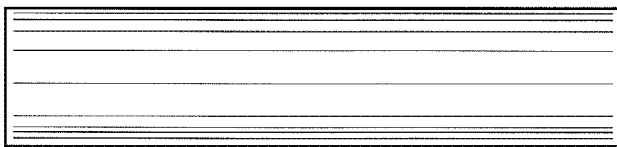


FIG. 4

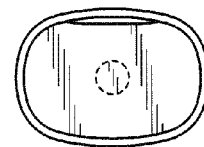


FIG. 3

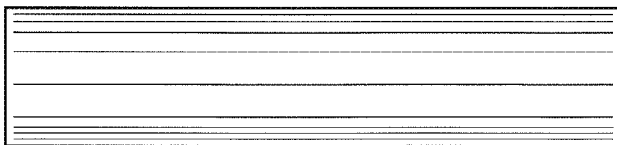


FIG. 5

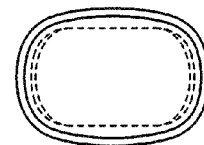


FIG. 6

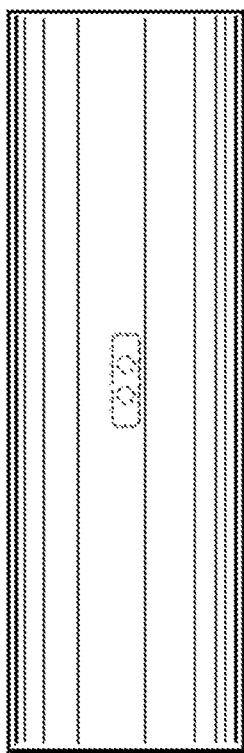


FIG. 7