



US00D847653S

(12) **United States Design Patent**
Eble

(10) **Patent No.:** **US D847,653 S**

(45) **Date of Patent:** **** May 7, 2019**

(54) **CONTAINER**

(71) Applicant: **Pretium Packaging, L.L.C.**,
Chesterfield, MO (US)

(72) Inventor: **Raymond C. Eble**, Sugarloaf, PA (US)

(73) Assignee: **Pretium Packaging, L.L.C.**,
Chesterfield, MO (US)

(**) Term: **15 Years**

(21) Appl. No.: **29/623,132**

(22) Filed: **Oct. 23, 2017**

(51) **LOC (11) Cl.** **09-01**

(52) **U.S. Cl.**
USPC **D9/553; D9/557; D9/558**

(58) **Field of Classification Search**
USPC D9/516, 520, 547-549, 551-558, 575,
D9/715, 719, 574; D3/201.3
CPC B65D 1/0223; B65D 1/40; B65D 1/10;
B65D 1/16; B65D 2501/0018
See application file for complete search history.

(56) **References Cited**

U.S. PATENT DOCUMENTS

| | | |
|-------------|---------|----------------|
| D102,268 S | 12/1936 | Vaughn |
| D105,274 S | 7/1937 | Fuerst |
| 2,893,678 A | 7/1959 | Homan et al. |
| D194,811 S | 3/1963 | Worthington |
| D199,869 S | 12/1964 | Trombley |
| D212,276 S | 9/1968 | Lodding |
| 3,464,546 A | 9/1969 | Thomka |
| 4,318,882 A | 3/1982 | Agrawal et al. |
| D268,324 S | 3/1983 | Gautier |
| 4,497,855 A | 2/1985 | Agrawal et al. |
| 4,665,682 A | 5/1987 | Kerins et al. |
| D292,378 S | 10/1987 | Brandt et al. |
| D299,314 S | 1/1989 | LeFevre |
| D306,262 S | 2/1990 | Bit |
| 5,024,341 A | 6/1991 | Dekerle |

| | | |
|--------------|---------|-----------------|
| D348,007 S | 6/1994 | Feen |
| D348,837 S | 7/1994 | Feen |
| D366,421 S | 1/1996 | Best |
| D382,806 S | 8/1997 | Wilson et al. |
| 5,862,929 A | 1/1999 | Takeuchi et al. |
| D411,750 S | 6/1999 | Forecast et al. |
| D427,910 S | 7/2000 | Barnes et al. |
| D428,814 S | 8/2000 | Silvers et al. |
| D450,244 S | 11/2001 | Rashid |
| D450,248 S | 11/2001 | Ogg |
| D467,813 S | 12/2002 | Silvers et al. |
| D495,602 S | 9/2004 | Daly |
| D505,077 S | 5/2005 | Piccioli et al. |
| 6,905,038 B2 | 6/2005 | Lopez |

(Continued)

FOREIGN PATENT DOCUMENTS

| | | |
|----|------------|---------|
| CA | 2552105 A1 | 1/2007 |
| CA | 2774334 A1 | 10/2012 |

Primary Examiner — Ian Simmons

Assistant Examiner — Keith Frank

(74) *Attorney, Agent, or Firm* — Armstrong Teasdale LLP

(57) **CLAIM**

I claim the ornamental design for a container, as shown and described.

DESCRIPTION

FIG. 1 is a perspective view of a container showing the new design;

FIG. 2 is a front view thereof;

FIG. 3 is a rear view thereof;

FIG. 4 is right side view thereof;

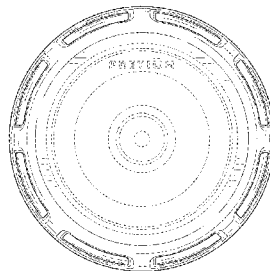
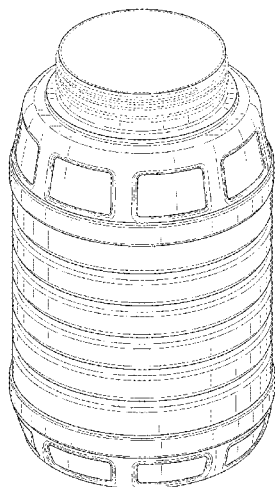
FIG. 5 is a left side view thereof;

FIG. 6 is a top view thereof; and,

FIG. 7 is a bottom view thereof.

The broken lines in the drawings showing of the container illustrate the portions of the container that form no part of the claimed design.

1 Claim, 6 Drawing Sheets



(56)

References Cited

U.S. PATENT DOCUMENTS

| | | | | | | | | |
|--------------|---------|----------------|-------|-------------------|---------|------------------|-------|-------------|
| 6,908,002 B2 | 6/2005 | Young et al. | | D690,599 S * | 10/2013 | Moore | | B65D 7/04 |
| D518,725 S * | 4/2006 | Eble | | D9/502 | | | | D9/516 |
| D523,331 S | 6/2006 | Yourist et al. | | D697,408 S | 1/2014 | Eble | | |
| D539,661 S | 4/2007 | Eble | | 8,662,332 B2 * | 3/2014 | Wurster | | B65D 1/0276 |
| D599,208 S * | 9/2009 | Kissinger | | D9/516 | | | | 215/371 |
| D600,122 S * | 9/2009 | Strasser | | D9/516 | | | | D9/556 |
| D606,870 S * | 12/2009 | Kaminski | | D9/552 | | | | D9/557 |
| D608,211 S * | 1/2010 | Eble | | D9/559 | | | | D9/502 |
| D612,249 S * | 3/2010 | Wurster | | D9/538 | | | | |
| D612,266 S * | 3/2010 | Kaminski | | D9/553 | | | | |
| D619,012 S | 7/2010 | Eble | | D720,230 S * | 12/2014 | Robling | | D9/556 |
| D641,629 S * | 7/2011 | Miceli | | D9/502 | | | | D9/557 |
| D657,248 S * | 4/2012 | Lin | | D9/502 | | | | |
| D663,624 S | 7/2012 | Eble | | D720,231 S * | 12/2014 | Robling | | D9/557 |
| D680,005 S | 4/2013 | Eble | | D721,278 S | 1/2015 | Eble | | |
| D681,472 S * | 5/2013 | Klebeck | | D9/502 | | | | |
| | | | | D721,588 S * | 1/2015 | Robling | | D9/502 |
| | | | | D735,581 S | 8/2015 | Eble | | |
| | | | | D760,591 S * | 7/2016 | Groglopo Favetto | | D9/500 |
| | | | | D764,922 S * | 8/2016 | Eble | | D9/520 |
| | | | | D805,393 S * | 12/2017 | Eble | | D9/552 |
| | | | | D815,947 S * | 4/2018 | Hurley | | D9/502 |
| | | | | 9,969,517 B2 * | 5/2018 | Melrose | | B65B 61/24 |
| | | | | 9,994,378 B2 * | 6/2018 | Wurster | | B65D 1/0276 |
| | | | | 2004/0195199 A1 * | 10/2004 | Maki | | B65D 1/0223 |
| | | | | | | | | 215/381 |
| | | | | 2012/0261428 A1 | 10/2012 | Eble | | |

* cited by examiner

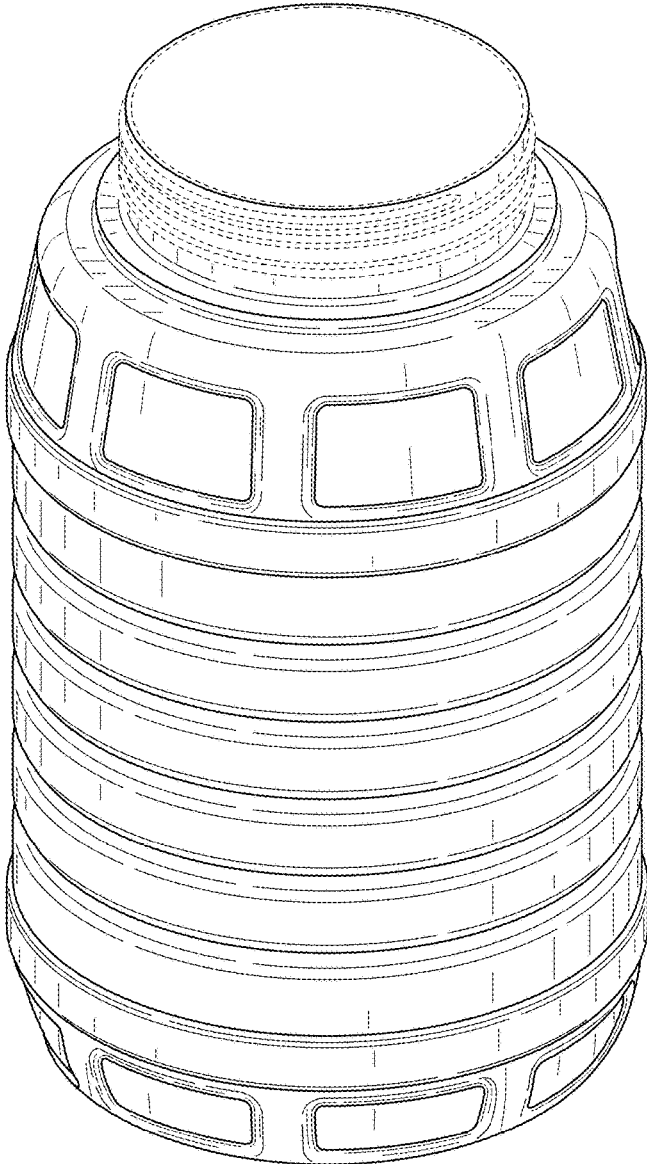


FIG. 1

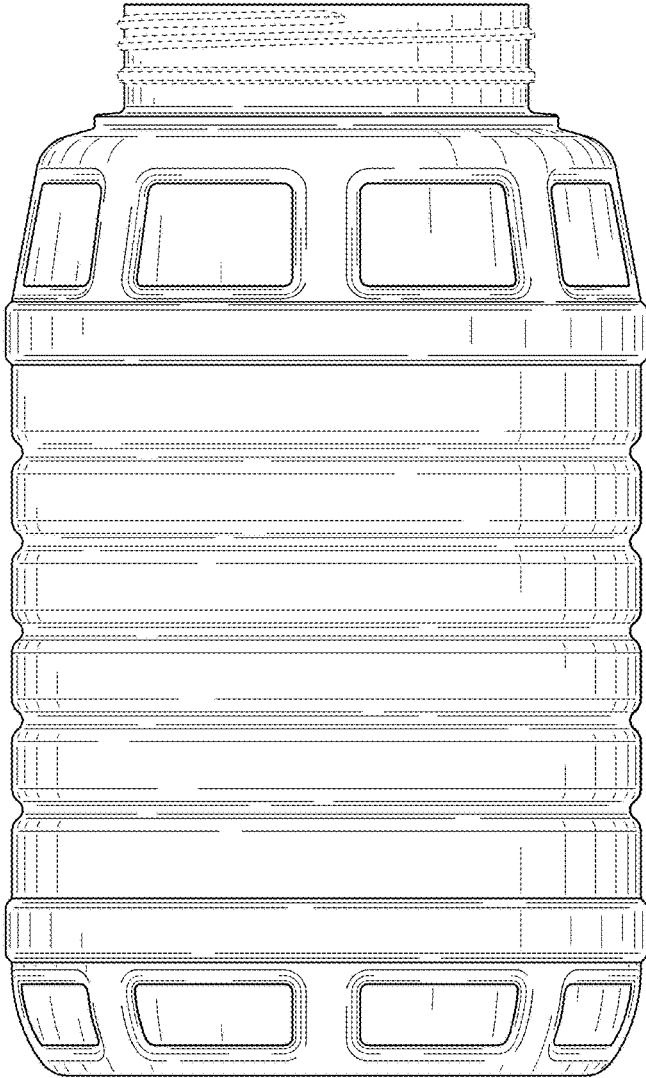


FIG. 2

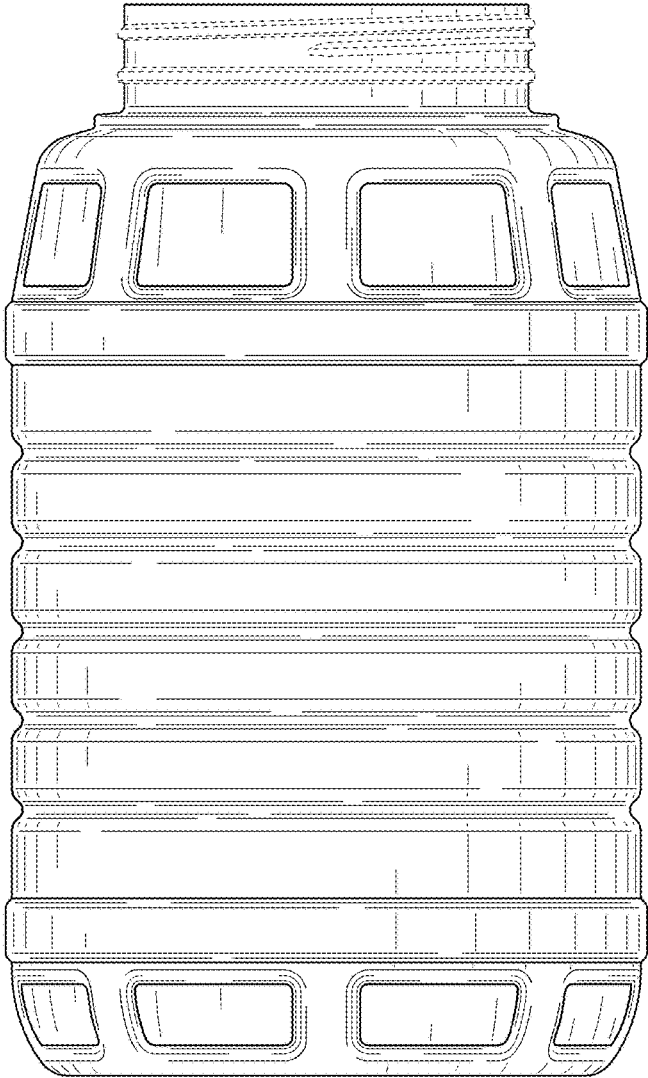


FIG. 3

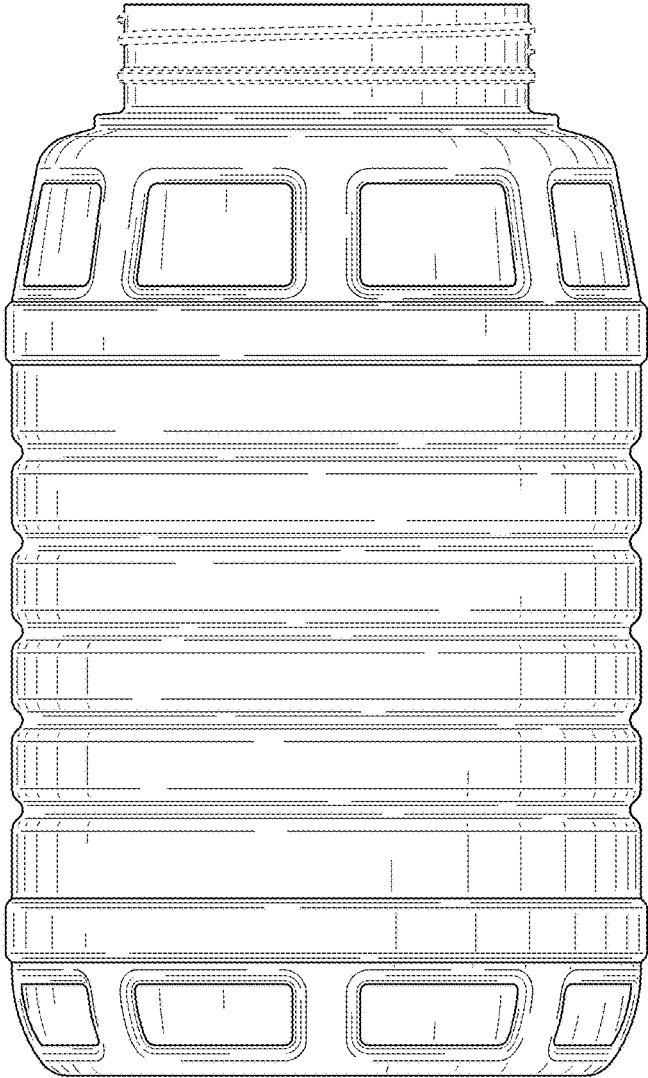


FIG. 4

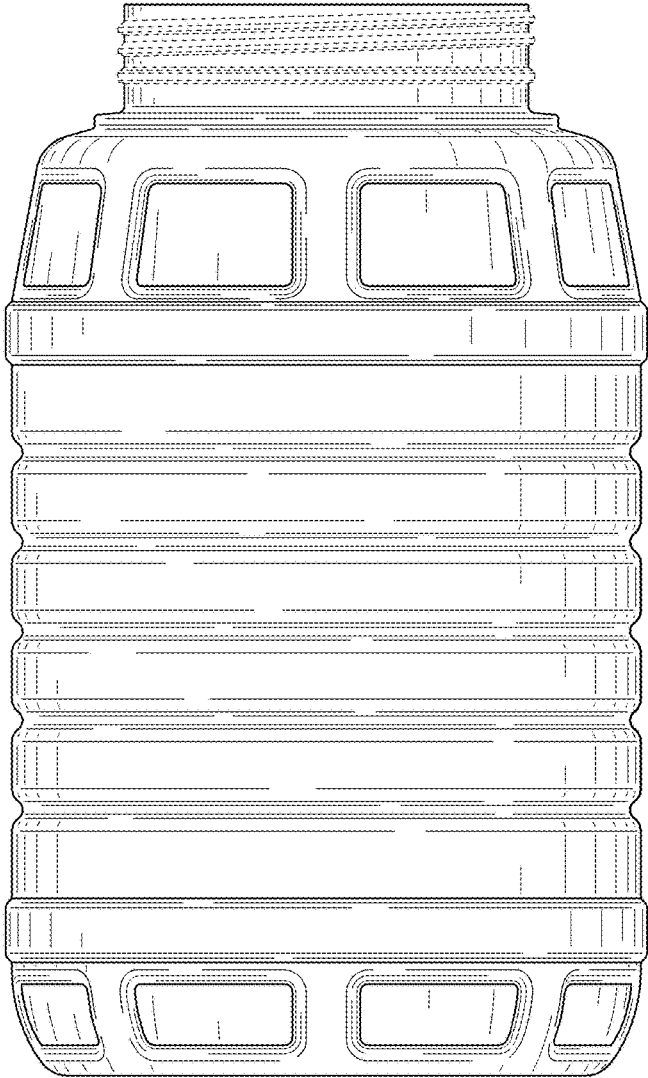


FIG. 5

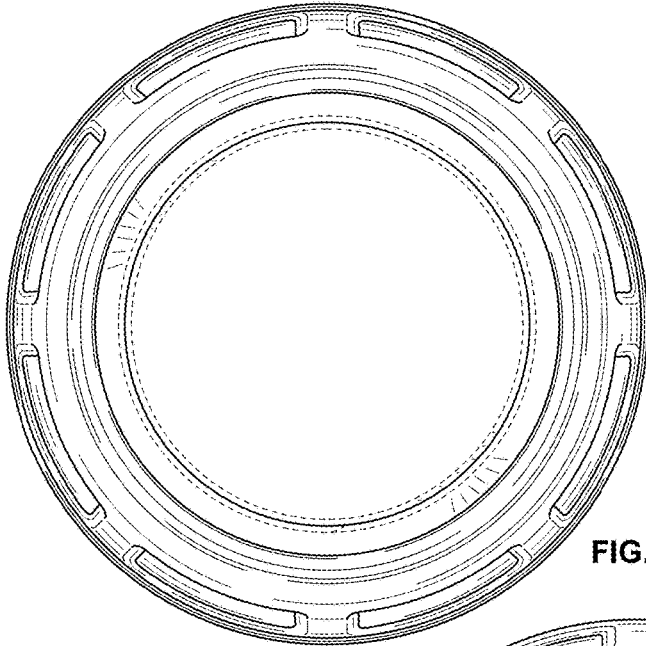


FIG. 6

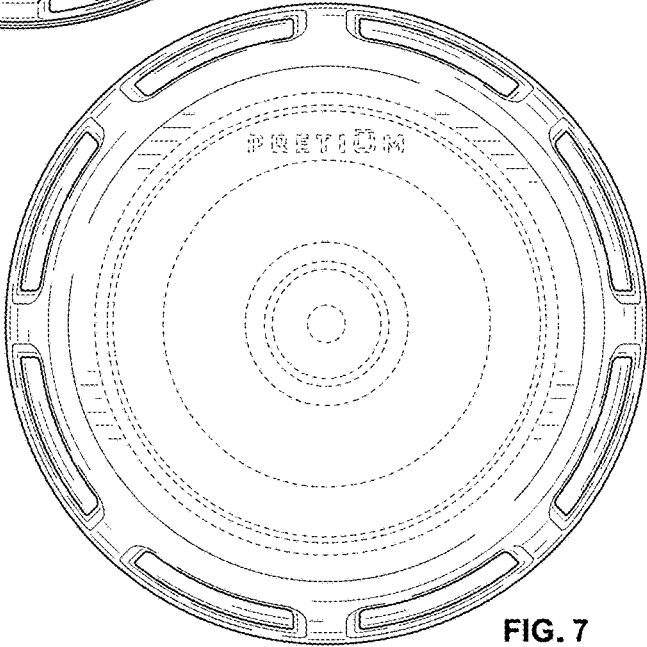


FIG. 7