



USOD1006720S

(12) **United States Design Patent** (10) **Patent No.:** **US D1,006,720 S**  
**Zou** (45) **Date of Patent:** **\*\* Dec. 5, 2023**

(54) **IN-CAR STORAGE BOX**

FOREIGN PATENT DOCUMENTS

(71) Applicant: **Shenzhen Yinglaifa Technology Co., Ltd.**, Shenzhen (CN)

CN 202230812723.7 \* 2/2023  
NZ 420653 \* 11/2015  
WO WOD089966-004 \* 4/2016

(72) Inventor: **Yuwang Zou**, Shenzhen (CN)

OTHER PUBLICATIONS

(73) Assignee: **SHENZHEN YINGLAIFA TECHNOLOGY CO., LTD.**, Shenzhen (CN)

Amazon—Rovfer, posted Aug. 11, 2023 [online], [retrieved Sep. 22, 2023]. Retrieved from internet, <https://www.amazon.com/dp/B0CFD472/ref> (Year: 2023).\*

(\*\*) Term: **15 Years**

Amazon—KropBom, posted May 23, 2023 [online], [retrieved Sep. 22, 2023]. Retrieved from internet, <https://www.amazon.com/KropBom-Organizer-2023-2020-Accessories-Backseat/dp/B0C61PGNPL/ref> (Year: 2023).\*

(21) Appl. No.: **29/910,430**

Amazon—Tongsheng, posted Apr. 8, 2022 [online], [retrieved Sep. 25, 2023]. Retrieved from internet, <https://www.amazon.com/Organizer-2016-2022-Ridgeline-2017-2023-2019-2023/dp/B0CBPGY68J/ref> (Year: 2022).\*

(22) Filed: **Aug. 21, 2023**

(51) **LOC (14) Cl.** ..... **12-16**

(52) **U.S. Cl.**  
USPC ..... **D12/425**

\* cited by examiner

(58) **Field of Classification Search**

USPC ..... D3/313; D7/550.1; D10/107; D12/168, D12/172, 173, 181, 190, 195, 317, 410, D12/415, 416, 423, 424, 425, 426

*Primary Examiner* — Garth Rademaker  
*Assistant Examiner* — Aaron C Fowler

CPC ..... B63B 22/003; B63B 23/66; B63B 59/02; B60Q 3/225; B60Q 3/102; B60Q 7/04; B60Q 7/06; B60Q 7/08; B60K 1/26; B60K 1/30; B60K 1/242; B60K 13/02  
See application file for complete search history.

(57) **CLAIM**

The ornamental design for an in-car storage box, as shown and described.

(56) **References Cited**

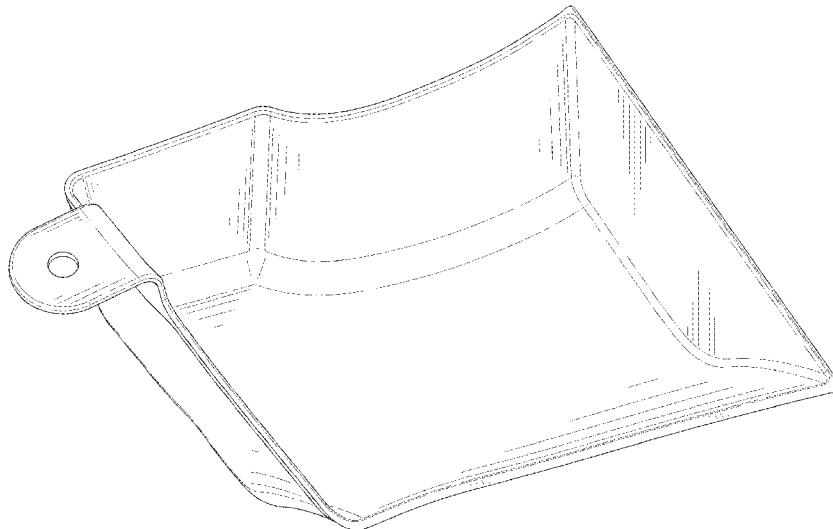
**DESCRIPTION**

U.S. PATENT DOCUMENTS

D500,675 S *	1/2005	De Man	.....	D9/425
D519,323 S *	4/2006	Warner	.....	D7/550.1
D662,604 S *	6/2012	Pittman	.....	D24/227
D946,493 S	3/2022	Huang	.....	
D953,226 S *	5/2022	Kelderman	.....	D12/190
D959,355 S *	8/2022	Li	.....	D12/422
D960,077 S *	8/2022	Pan	.....	D12/425
D963,550 S *	9/2022	Pan	.....	D12/425
D964,914 S *	9/2022	Wei	.....	D12/425
D965,507 S	10/2022	Li	.....	
D991,870 S *	7/2023	Chen	.....	D12/425
D998,342 S *	9/2023	Zhang	.....	D3/304

FIG. 1 is a perspective view of an in-car storage box showing my new design;  
FIG. 2 is another perspective view thereof;  
FIG. 3 is a front elevational view thereof;  
FIG. 4 is a rear elevational view thereof;  
FIG. 5 is a left side elevational view thereof;  
FIG. 6 is a right side elevational view thereof;  
FIG. 7 is a top plan view thereof; and,  
FIG. 8 is a bottom plan view thereof.

**1 Claim, 8 Drawing Sheets**



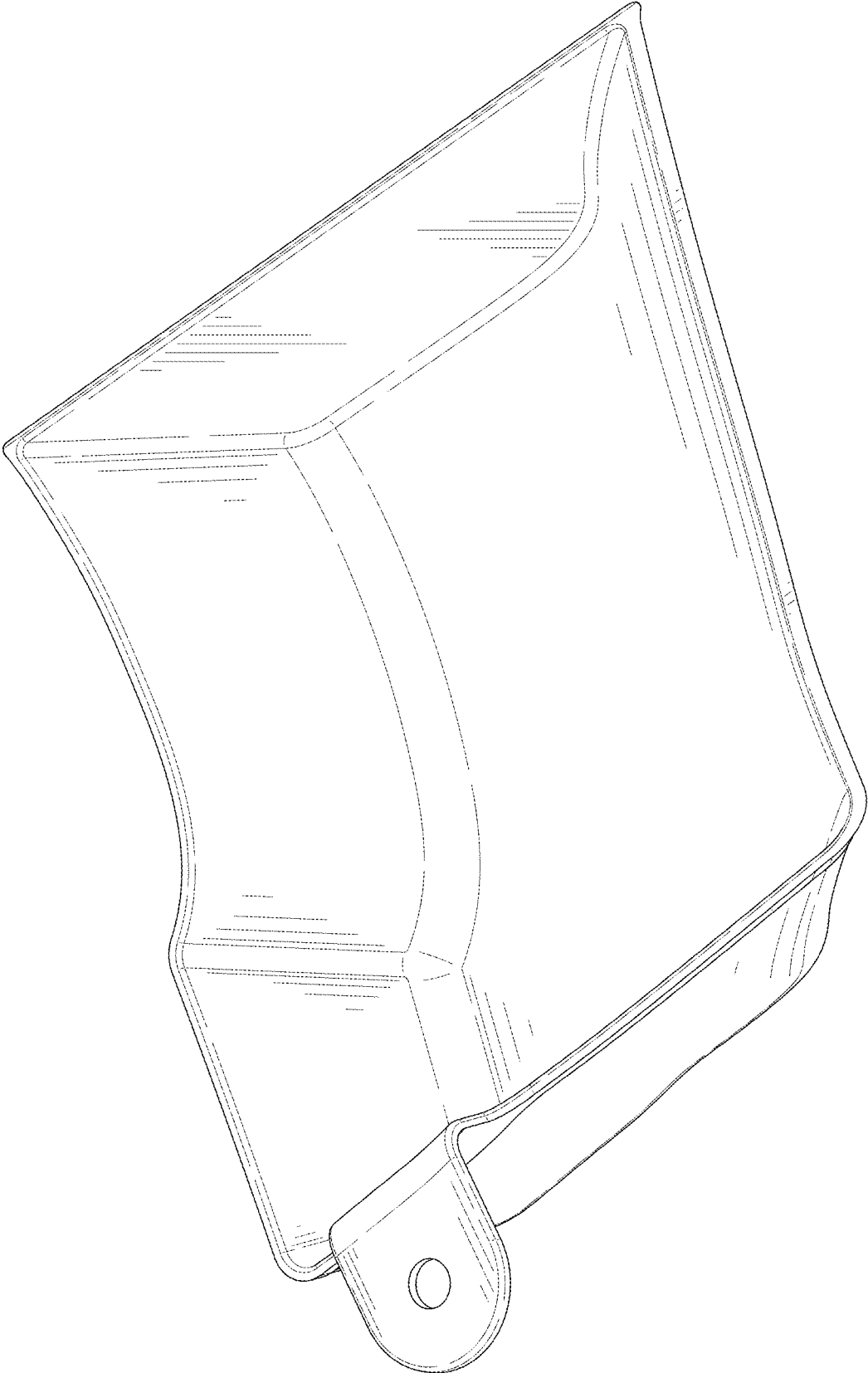


FIG. 1

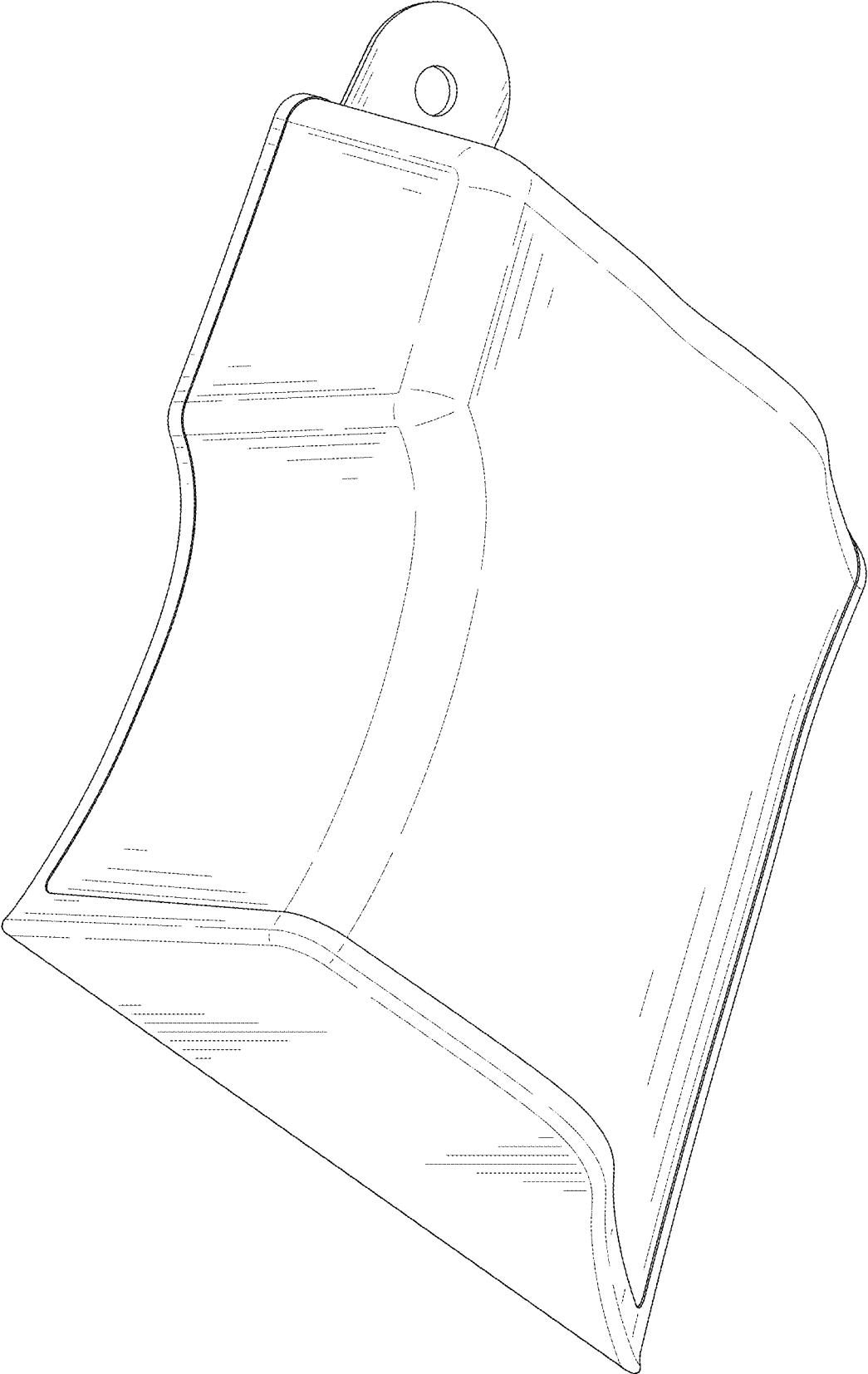


FIG. 2

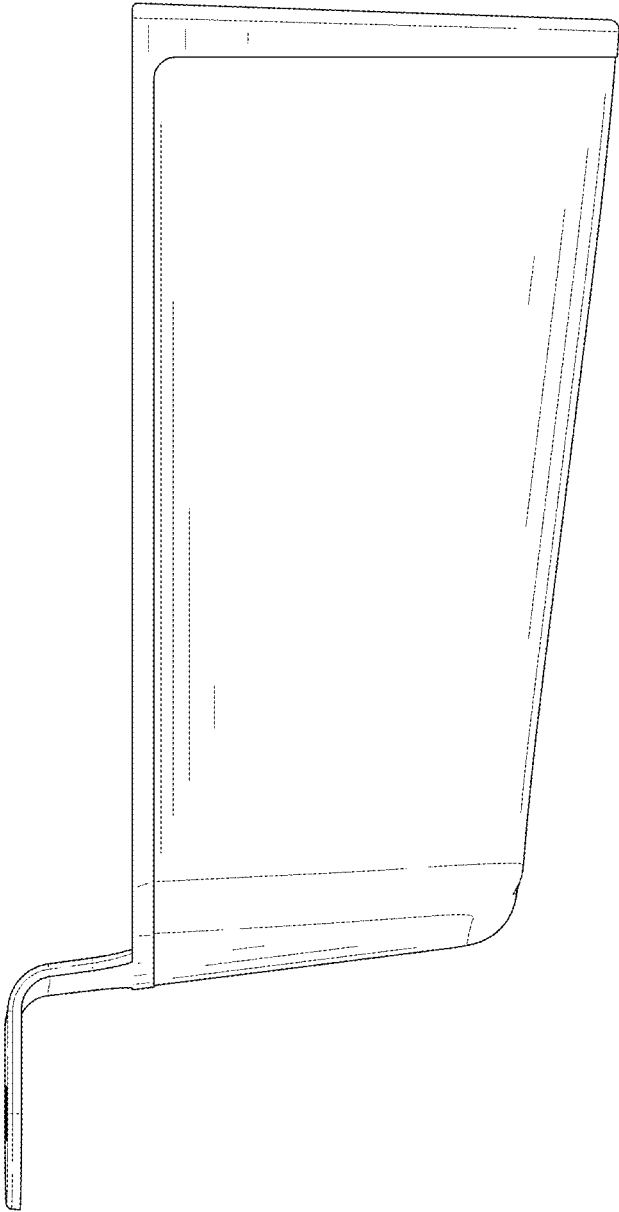


FIG. 3

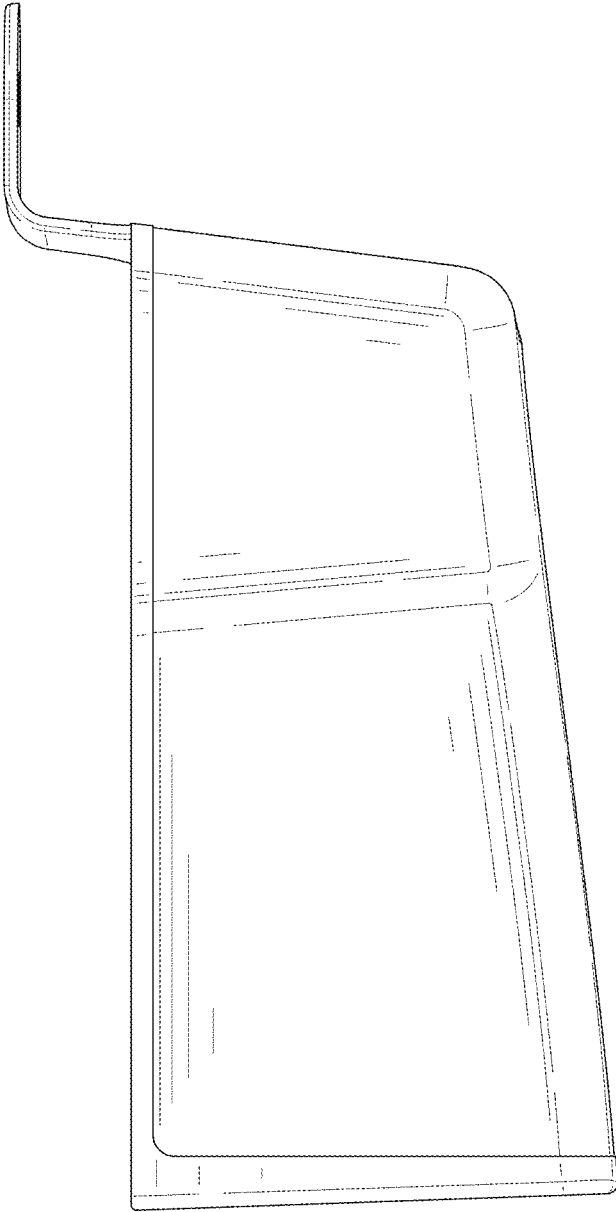


FIG. 4

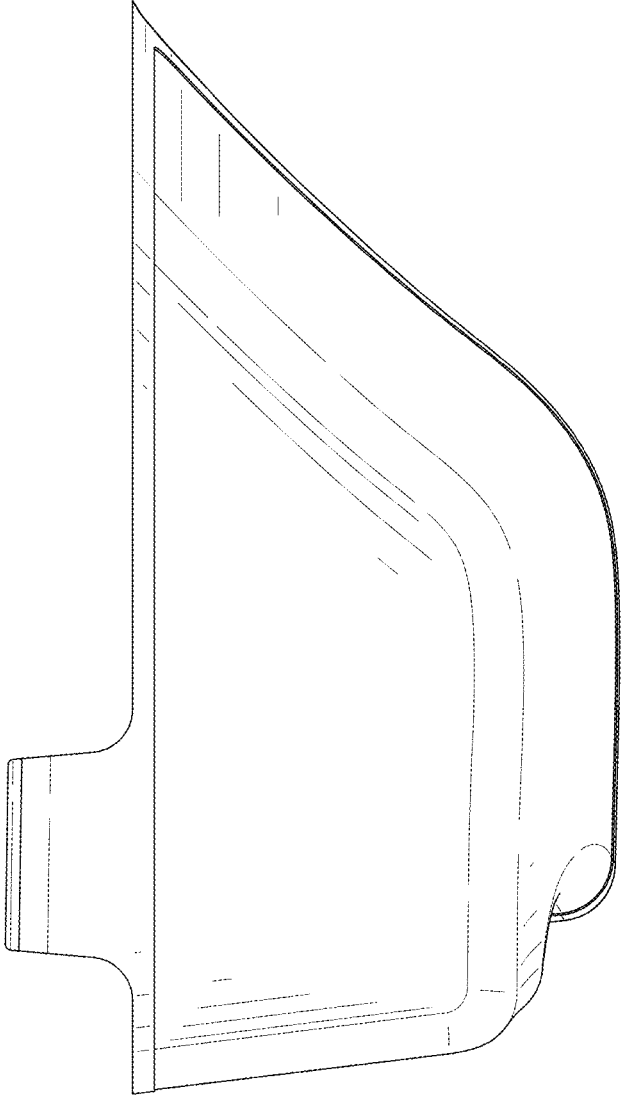


FIG. 5

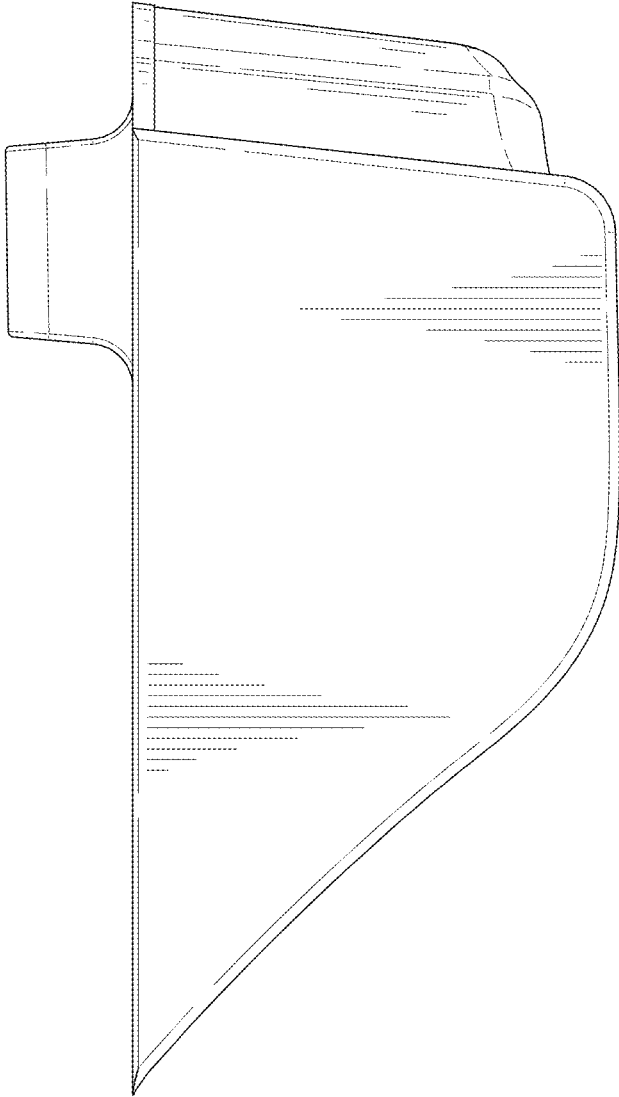


FIG. 6

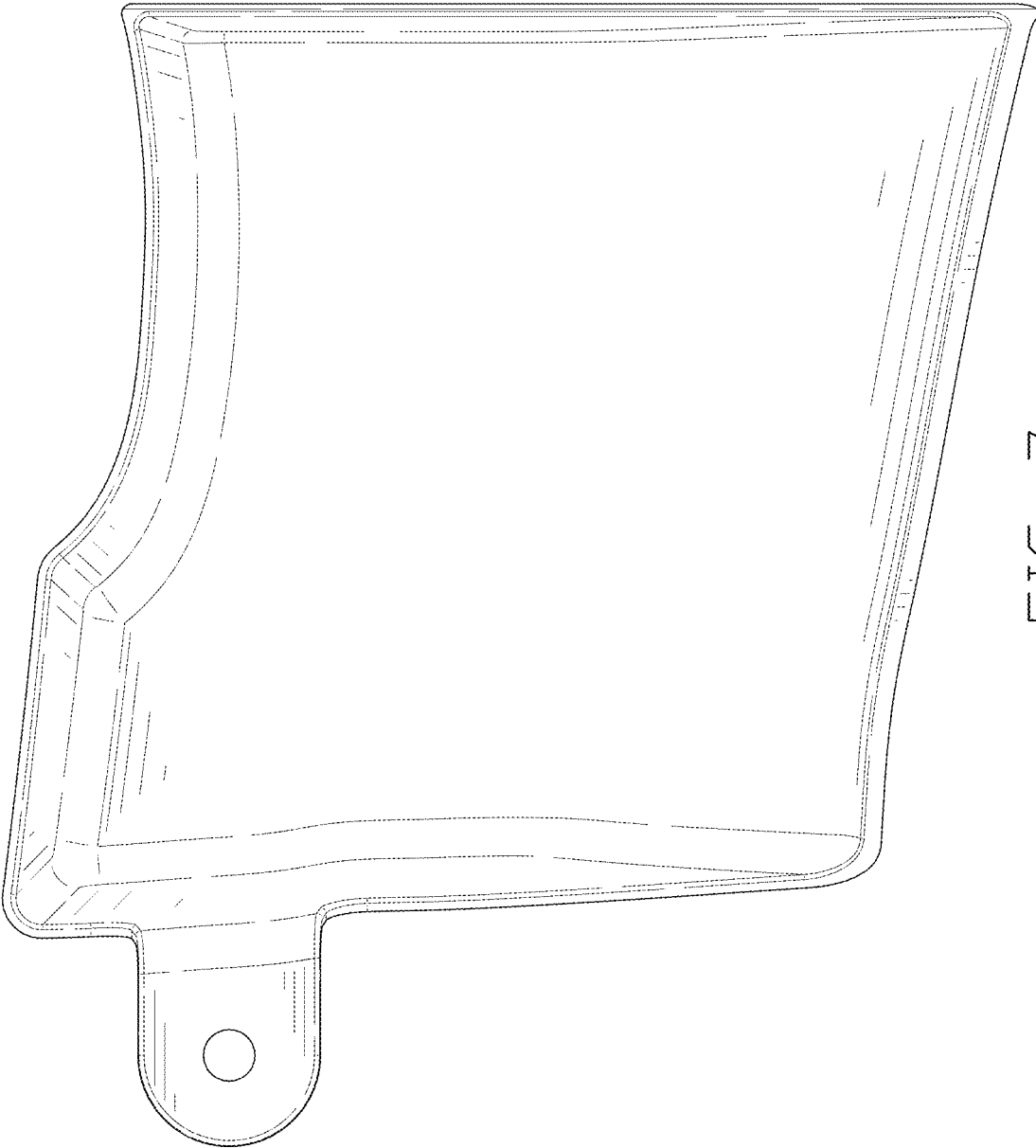


FIG. 7

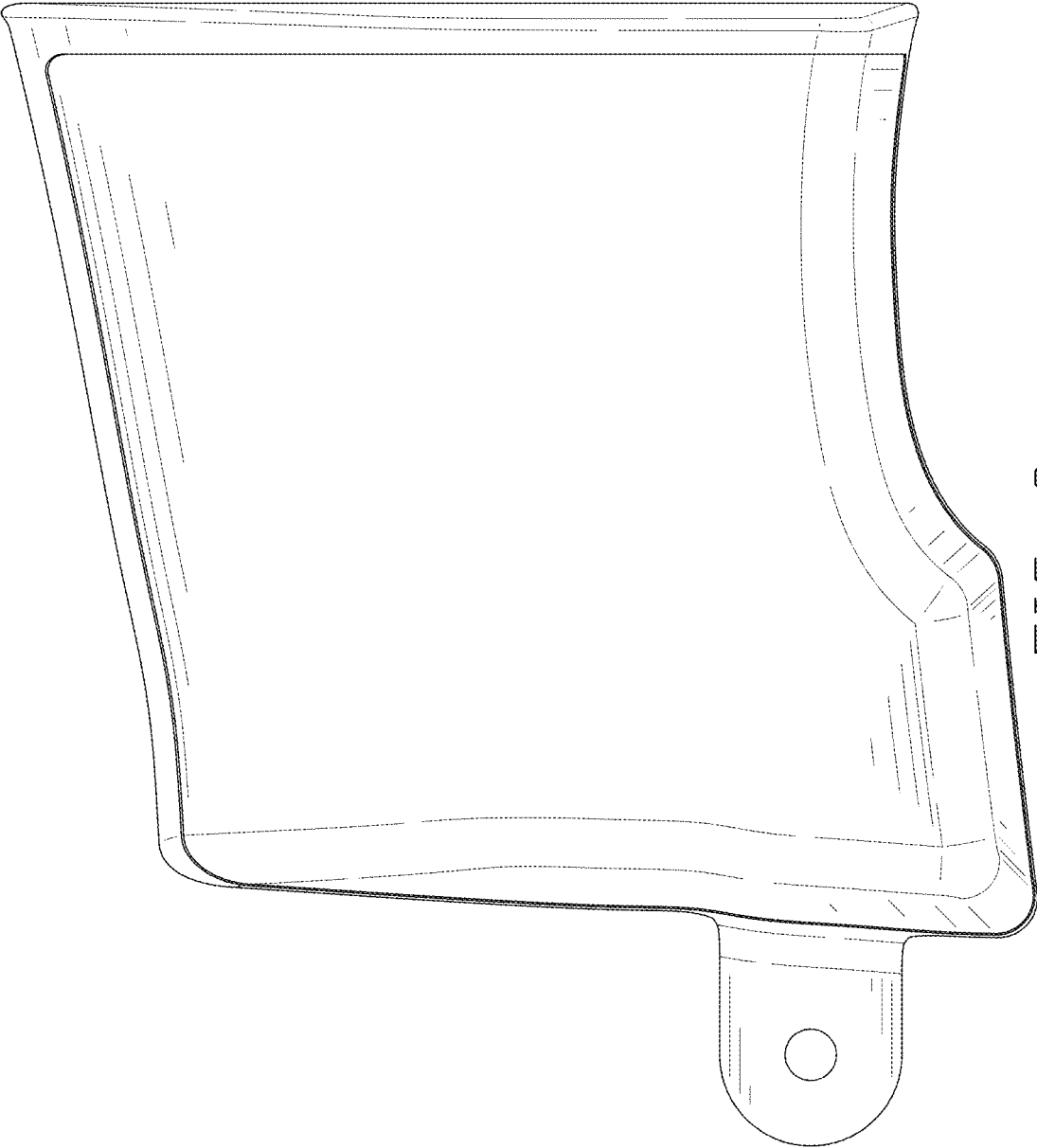


FIG. 8