



US00D856475S

(12) **United States Design Patent**
Gessi

(10) **Patent No.:** **US D856,475 S**

(45) **Date of Patent:** **** Aug. 13, 2019**

(54) **SHOWER HEAD**

(71) Applicant: **GESSE S.P.A.**, Serravalle Sesia (VC)
(IT)

(72) Inventor: **Gian Luca Gessi**, Serravalle Sesia (IT)

(73) Assignee: **GESSE S.P.A.**, Serravalle Sesia (IT)

(**) Term: **15 Years**

(21) Appl. No.: **29/643,415**

(22) Filed: **Apr. 9, 2018**

(30) **Foreign Application Priority Data**

Nov. 7, 2017 (IT) 402017000126702

(51) **LOC (12) Cl.** **23-01**

(52) **U.S. Cl.**
USPC **D23/213**

(58) **Field of Classification Search**
USPC D23/213, 214, 215, 223, 224, 226, 229,
D23/230

CPC A61H 9/0021; A61H 33/00; B05B 1/00;
B05B 1/14; B05B 1/185; B05B 1/08;
B05B 1/02; B05B 1/26; B05B 12/002;
B05B 1/18; B05B 9/01

See application file for complete search history.

(56) **References Cited**

U.S. PATENT DOCUMENTS

D286,319 S *	10/1986	Mathis	D23/261
D459,431 S *	6/2002	Rosenberg	D23/212
D550,819 S *	9/2007	Seehoff	D23/261
D680,619 S *	4/2013	Zhadanov	D23/223
D681,776 S *	5/2013	Cutler	D23/223
D694,357 S *	11/2013	Brodey	D23/213
D694,359 S *	11/2013	Schoenherr	D23/213
D707,330 S *	6/2014	Schoenherr	D23/223
D713,004 S *	9/2014	Schoenherr	D23/223

D713,496 S *	9/2014	Schoenherr	D23/213
D730,493 S *	5/2015	Sehl	D23/261
D733,258 S *	6/2015	Sandee	D23/223
D737,931 S *	9/2015	Schoenherr	D23/223
D737,932 S *	9/2015	Nikles	D23/223
D746,955 S *	1/2016	Corder	D23/261
D778,404 S *	2/2017	Schoenherr	D23/223
D779,039 S *	2/2017	Hanna	D23/223
D801,475 S *	10/2017	Naslund	D23/213
D803,350 S *	11/2017	Tian	D23/213
D808,499 S *	1/2018	Naslund	D23/213
D809,094 S *	1/2018	Naslund	D23/213
D810,233 S *	2/2018	Winter	D23/213
D810,861 S *	2/2018	Weaver	D23/213
D811,524 S *	2/2018	Bossini	D23/223
D820,388 S *	6/2018	Seum	D23/213
D820,949 S *	6/2018	Reinecker	D23/213
D821,542 S *	6/2018	Reinecker	D23/213
D824,485 S *	7/2018	Montoya	D23/213

(Continued)

Primary Examiner — Robin V Webster

Assistant Examiner — Keith J Wilson

(74) *Attorney, Agent, or Firm* — Underwood &
Associates, LLC

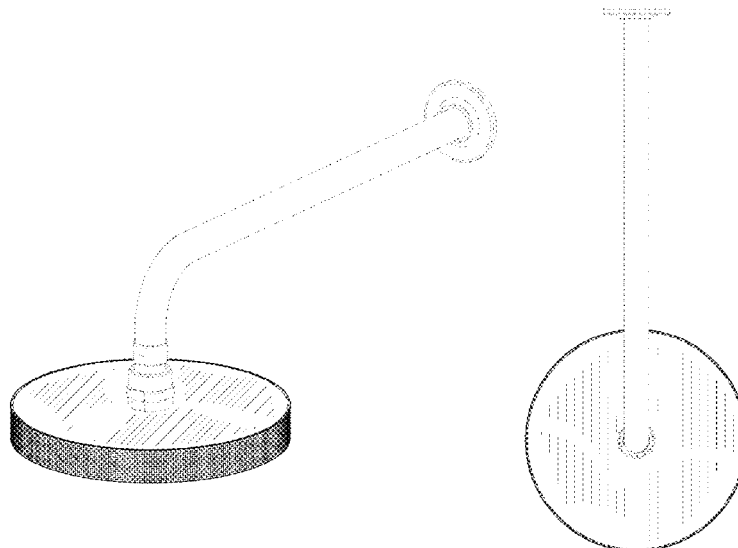
(57) **CLAIM**

I claim the ornamental design for a shower head, as shown and described.

DESCRIPTION

FIG. 1 is a perspective view of a shower head;
FIG. 2 is a top view of the shower head of FIG. 1;
FIG. 3 is a bottom view of the shower head of FIG. 1;
FIG. 4 is a front view of the shower head of FIG. 1;
FIG. 5 is a back view of the shower head of FIG. 1;
FIG. 6 is a left view of the shower head of FIG. 1; and,
FIG. 7 is a right view of the shower head of FIG. 1.
The portions illustrated in broken lines on the figures are for illustrative purposes only and form no part of the claimed design.

1 Claim, 7 Drawing Sheets



(56)

References Cited

U.S. PATENT DOCUMENTS

D833,575	S	*	11/2018	Soulier	D23/223
D839,384	S	*	1/2019	Svendsen	D23/213
D840,503	S	*	2/2019	Stein	D23/213
D841,121	S	*	2/2019	Kiefer	D23/213
D841,125	S	*	2/2019	Lai	D23/223
D842,429	S	*	3/2019	Huang	D23/213
D842,430	S	*	3/2019	Huang	D23/213
D842,431	S	*	3/2019	Cacka	D23/213
D842,967	S	*	3/2019	Farley	D23/213

* cited by examiner

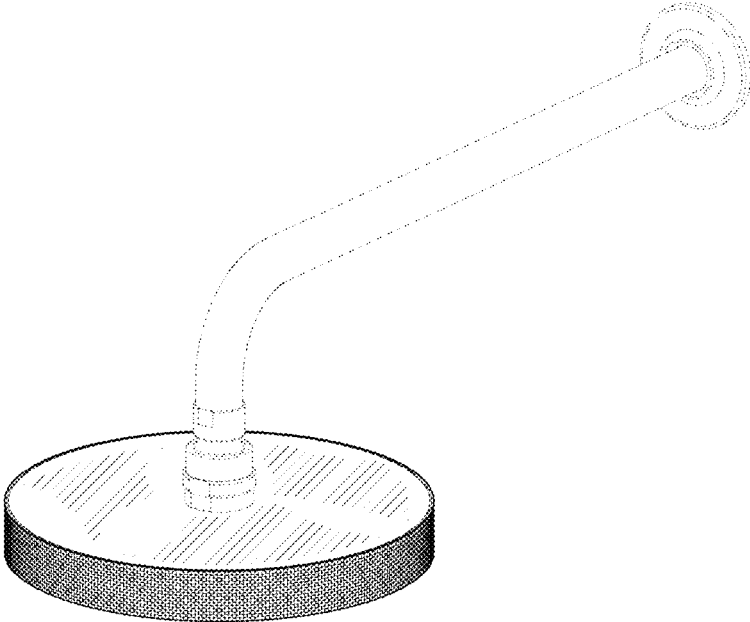


FIG. 1

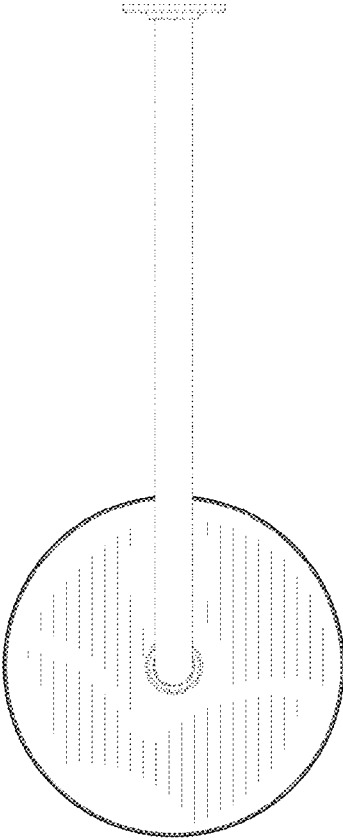


FIG. 2

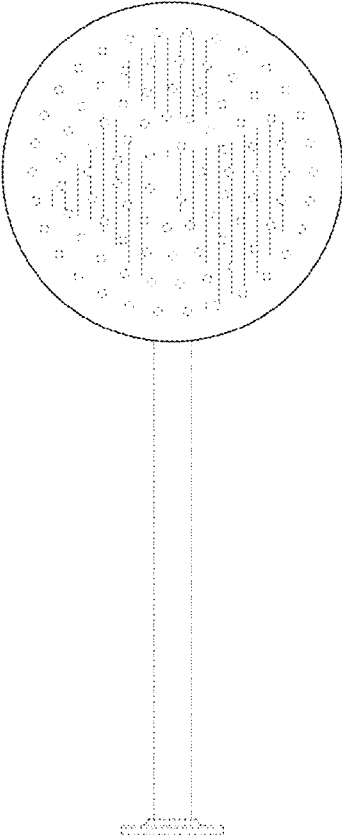


FIG. 3

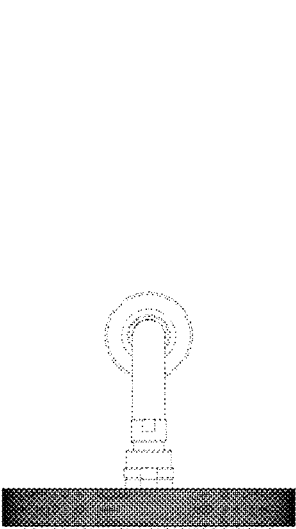


FIG. 4

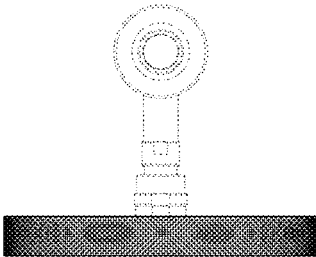


FIG. 5

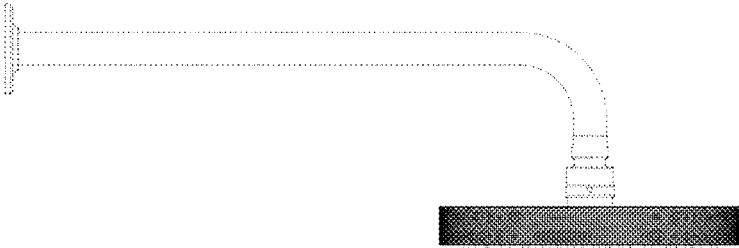


FIG. 6



FIG. 7