



- (51) International Patent Classification:  
*G06F 3/00* (2006.01)
- (21) International Application Number:  
PCT/US2014/030786
- (22) International Filing Date:  
17 March 2014 (17.03.2014)
- (25) Filing Language: English
- (26) Publication Language: English
- (30) Priority Data:  
13/840,837 15 March 2013 (15.03.2013) US
- (71) Applicant: MISELU INC [US/US]; 566 Brannan Street, San Francisco, CA 94107 (US).
- (72) Inventor: YOSHIKAWA, Yoshinari; 1482 Frontero Ave., Los Altos, CA 94024 (US).
- (74) Agents: KULAS, Charles, J. et al.; Trellis Intellectual Property Law Group, PC, 1900 Embarcadero Rd. Suite 109, Palo Alto, CA 94303 (US).
- (81) Designated States (unless otherwise indicated, for every kind of national protection available): AE, AG, AL, AM, AO, AT, AU, AZ, BA, BB, BG, BH, BN, BR, BW, BY, BZ, CA, CH, CL, CN, CO, CR, CU, CZ, DE, DK, DM,

DO, DZ, EC, EE, EG, ES, FI, GB, GD, GE, GH, GM, GT, HN, HR, HU, ID, IL, IN, IR, IS, JP, KE, KG, KN, KP, KR, KZ, LA, LC, LK, LR, LS, LT, LU, LY, MA, MD, ME, MG, MK, MN, MW, MX, MY, MZ, NA, NG, NI, NO, NZ, OM, PA, PE, PG, PH, PL, PT, QA, RO, RS, RU, RW, SA, SC, SD, SE, SG, SK, SL, SM, ST, SV, SY, TH, TJ, TM, TN, TR, TT, TZ, UA, UG, US, UZ, VC, VN, ZA, ZM, ZW.

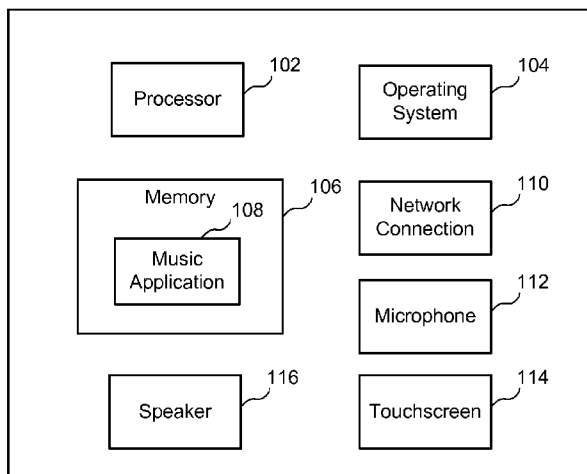
- (84) Designated States (unless otherwise indicated, for every kind of regional protection available): ARIPO (BW, GH, GM, KE, LR, LS, MW, MZ, NA, RW, SD, SL, SZ, TZ, UG, ZM, ZW), Eurasian (AM, AZ, BY, KG, KZ, RU, TJ, TM), European (AL, AT, BE, BG, CH, CY, CZ, DE, DK, EE, ES, FI, FR, GB, GR, HR, HU, IE, IS, IT, LT, LU, LV, MC, MK, MT, NL, NO, PL, PT, RO, RS, SE, SI, SK, SM, TR), OAPI (BF, BJ, CF, CG, CI, CM, GA, GN, GQ, GW, KM, ML, MR, NE, SN, TD, TG).

**Published:**

- with international search report (Art. 21(3))
- before the expiration of the time limit for amending the claims and to be republished in the event of receipt of amendments (Rule 48.2(h))

- (88) Date of publication of the international search report:  
16 April 2015

(54) Title: ENABLING MUSIC LISTENER FEEDBACK



100

FIG. 1

(57) Abstract: Embodiments generally relate to enabling music listener feedback. In one embodiment, a method includes converting an audio signal into a graphical representation, and causing the graphical representation to be displayed to a user. The method also includes enabling the user to provide listener feedback associated with one or more predetermined aspects of the audio signal, and causing the listener feedback to be displayed in the graphical representation.



**INTERNATIONAL SEARCH REPORT**

International application No.

PCT/US 14/30786

<p><b>A. CLASSIFICATION OF SUBJECT MATTER</b>                  IPC(8) - G06F 3/00 (2014.01)                  CPC - H04N 5/44543                  According to International Patent Classification (IPC) or to both national classification and IPC</p>																	
<p><b>B. FIELDS SEARCHED</b></p> <p>Minimum documentation searched (classification system followed by classification symbols)                  USPC: 715/716; CPC: H04N 5/44543; IPC(8): G06F 3/00 (2014.01)</p> <p>Documentation searched other than minimum documentation to the extent that such documents are included in the fields searched                  USPC: 715/700; CPC: G11B 27/34, H04N 21/4622, H04N 21/47, G11B 27/034</p> <p>Electronic data base consulted during the international search (name of data base and, where practicable, search terms used)                  PatBase, ProQuest Dialog, Google Web, Google Patents (Search terms: Soundcloud, audio, music, song, convert, represent, graphic, image, feedback, annotate, menu, recommend, generate, create, icon, tile, thumbnail, MP3, social network, social media, like, dislike, emoticon, share, smiley, select, list, link, vote, rate, rating, listener, etc.)</p>																	
<p><b>C. DOCUMENTS CONSIDERED TO BE RELEVANT</b></p> <table border="1"> <thead> <tr> <th>Category*</th> <th>Citation of document, with indication, where appropriate, of the relevant passages</th> <th>Relevant to claim No.</th> </tr> </thead> <tbody> <tr> <td>Y</td> <td>WO 2012/019637 A1 (Dahule) 16 February 2012 (16.02.2012), pg. 7, ln. 7-12, pg. 15, ln. 18 to pg. 16, ln. 34, pg. 17, ln. 25 to pg. 18, ln. 4, pg. 28, ln. 18-20, and pg. 29, ln. 9-13, and Figs. 7-9 and 15.</td> <td>1-20</td> </tr> <tr> <td>Y</td> <td>US 2012/0253492 A1 (Andrews) 04 October 2012 (04.10.2012), para. [0004], [0016], [0018], [0020], and [0024].</td> <td>1-20</td> </tr> <tr> <td>Y</td> <td>US 2010/0094696 A1 (Molinelli et al.) 15 April 2010 (15.04.2010), para. [0030], [0035], [0046], and [0115], and Table 2.</td> <td>3-4, 6, 11-12, 14, 19-20</td> </tr> <tr> <td>Y</td> <td>US 2008/0172137 A1 (Safina) 17 July 2008 (17.07.2008), para. [0021]-[0022].</td> <td>8, 16</td> </tr> </tbody> </table>			Category*	Citation of document, with indication, where appropriate, of the relevant passages	Relevant to claim No.	Y	WO 2012/019637 A1 (Dahule) 16 February 2012 (16.02.2012), pg. 7, ln. 7-12, pg. 15, ln. 18 to pg. 16, ln. 34, pg. 17, ln. 25 to pg. 18, ln. 4, pg. 28, ln. 18-20, and pg. 29, ln. 9-13, and Figs. 7-9 and 15.	1-20	Y	US 2012/0253492 A1 (Andrews) 04 October 2012 (04.10.2012), para. [0004], [0016], [0018], [0020], and [0024].	1-20	Y	US 2010/0094696 A1 (Molinelli et al.) 15 April 2010 (15.04.2010), para. [0030], [0035], [0046], and [0115], and Table 2.	3-4, 6, 11-12, 14, 19-20	Y	US 2008/0172137 A1 (Safina) 17 July 2008 (17.07.2008), para. [0021]-[0022].	8, 16
Category*	Citation of document, with indication, where appropriate, of the relevant passages	Relevant to claim No.															
Y	WO 2012/019637 A1 (Dahule) 16 February 2012 (16.02.2012), pg. 7, ln. 7-12, pg. 15, ln. 18 to pg. 16, ln. 34, pg. 17, ln. 25 to pg. 18, ln. 4, pg. 28, ln. 18-20, and pg. 29, ln. 9-13, and Figs. 7-9 and 15.	1-20															
Y	US 2012/0253492 A1 (Andrews) 04 October 2012 (04.10.2012), para. [0004], [0016], [0018], [0020], and [0024].	1-20															
Y	US 2010/0094696 A1 (Molinelli et al.) 15 April 2010 (15.04.2010), para. [0030], [0035], [0046], and [0115], and Table 2.	3-4, 6, 11-12, 14, 19-20															
Y	US 2008/0172137 A1 (Safina) 17 July 2008 (17.07.2008), para. [0021]-[0022].	8, 16															
<p><input type="checkbox"/> Further documents are listed in the continuation of Box C. <input type="checkbox"/></p>																	
<p>* Special categories of cited documents:</p> <table border="0"> <tr> <td>"A" document defining the general state of the art which is not considered to be of particular relevance</td> <td>"T" later document published after the international filing date or priority date and not in conflict with the application but cited to understand the principle or theory underlying the invention</td> </tr> <tr> <td>"E" earlier application or patent but published on or after the international filing date</td> <td>"X" document of particular relevance; the claimed invention cannot be considered novel or cannot be considered to involve an inventive step when the document is taken alone</td> </tr> <tr> <td>"L" document which may throw doubts on priority claim(s) or which is cited to establish the publication date of another citation or other special reason (as specified)</td> <td>"Y" document of particular relevance; the claimed invention cannot be considered to involve an inventive step when the document is combined with one or more other such documents, such combination being obvious to a person skilled in the art</td> </tr> <tr> <td>"O" document referring to an oral disclosure, use, exhibition or other means</td> <td>"&amp;" document member of the same patent family</td> </tr> <tr> <td>"P" document published prior to the international filing date but later than the priority date claimed</td> <td></td> </tr> </table>			"A" document defining the general state of the art which is not considered to be of particular relevance	"T" later document published after the international filing date or priority date and not in conflict with the application but cited to understand the principle or theory underlying the invention	"E" earlier application or patent but published on or after the international filing date	"X" document of particular relevance; the claimed invention cannot be considered novel or cannot be considered to involve an inventive step when the document is taken alone	"L" document which may throw doubts on priority claim(s) or which is cited to establish the publication date of another citation or other special reason (as specified)	"Y" document of particular relevance; the claimed invention cannot be considered to involve an inventive step when the document is combined with one or more other such documents, such combination being obvious to a person skilled in the art	"O" document referring to an oral disclosure, use, exhibition or other means	"&" document member of the same patent family	"P" document published prior to the international filing date but later than the priority date claimed						
"A" document defining the general state of the art which is not considered to be of particular relevance	"T" later document published after the international filing date or priority date and not in conflict with the application but cited to understand the principle or theory underlying the invention																
"E" earlier application or patent but published on or after the international filing date	"X" document of particular relevance; the claimed invention cannot be considered novel or cannot be considered to involve an inventive step when the document is taken alone																
"L" document which may throw doubts on priority claim(s) or which is cited to establish the publication date of another citation or other special reason (as specified)	"Y" document of particular relevance; the claimed invention cannot be considered to involve an inventive step when the document is combined with one or more other such documents, such combination being obvious to a person skilled in the art																
"O" document referring to an oral disclosure, use, exhibition or other means	"&" document member of the same patent family																
"P" document published prior to the international filing date but later than the priority date claimed																	
<p>Date of the actual completion of the international search</p> <p>12 January 2015 (12.01.2015)</p>		<p>Date of mailing of the international search report</p> <p><b>10 FEB 2015</b></p>															
<p>Name and mailing address of the ISA/US</p> <p>Mail Stop PCT, Attn: ISA/US, Commissioner for Patents                  P.O. Box 1450, Alexandria, Virginia 22313-1450                  Facsimile No. 571-273-3201</p>		<p>Authorized officer:</p> <p>Lee W. Young</p> <p>PCT Helpdesk: 571-272-4300                  PCT OSP: 571-272-7774</p>															