



US00D616366S

(12) **United States Design Patent**
Wang et al.

(10) **Patent No.:** **US D616,366 S**
(45) **Date of Patent:** **** May 25, 2010**

- (54) **CCFL CONNECTOR ASSEMBLY**
- (75) Inventors: **Hung-Chi Wang**, Tu-Cheng (TW);
Chin-Te Chiu, Tu-Cheng (TW);
Ning-Lang Cheng, Tu-Cheng (TW);
Mei-Chuan Yang, Tu-Cheng (TW)
- (73) Assignee: **Cheng Uei Precision Industry Co., Ltd.**, Tu-Cheng, Taipei Hsien (TW)
- (**) Term: **14 Years**
- (21) Appl. No.: **29/340,723**
- (22) Filed: **Jul. 23, 2009**
- (51) **LOC (9) Cl.** **13-03**
- (52) **U.S. Cl.** **D13/133; D13/146**
- (58) **Field of Classification Search** D13/133,
D13/146, 147, 154, 184, 199; 439/344, 379,
439/535, 536, 538, 571, 540.1, 541.1, 57,
439/638, 650, 676; D14/240, 256, 299
See application file for complete search history.

(56) **References Cited**

U.S. PATENT DOCUMENTS

D317,750	S	*	6/1991	Bellomo et al.	D13/147
6,504,726	B1	*	1/2003	Grabinger et al.	361/796
7,090,542	B2	*	8/2006	Zheng et al.	439/676
D559,186	S	*	1/2008	Kelmer	D13/147
2004/0002258	A1	*	1/2004	Zheng et al.	439/541.5
2004/0229501	A1	*	11/2004	Caveney et al.	439/540.1
2004/0235345	A1	*	11/2004	Zheng et al.	439/540.1

2009/0053923	A1	*	2/2009	Navarro et al.	439/489
2009/0247007	A1	*	10/2009	Milette	439/540.1
2010/0009576	A1	*	1/2010	Schaffer et al.	439/676

* cited by examiner

Primary Examiner—Daniel D Bui
Assistant Examiner—Thomas J Johannes
(74) *Attorney, Agent, or Firm*—Cheng-Ju Chiang

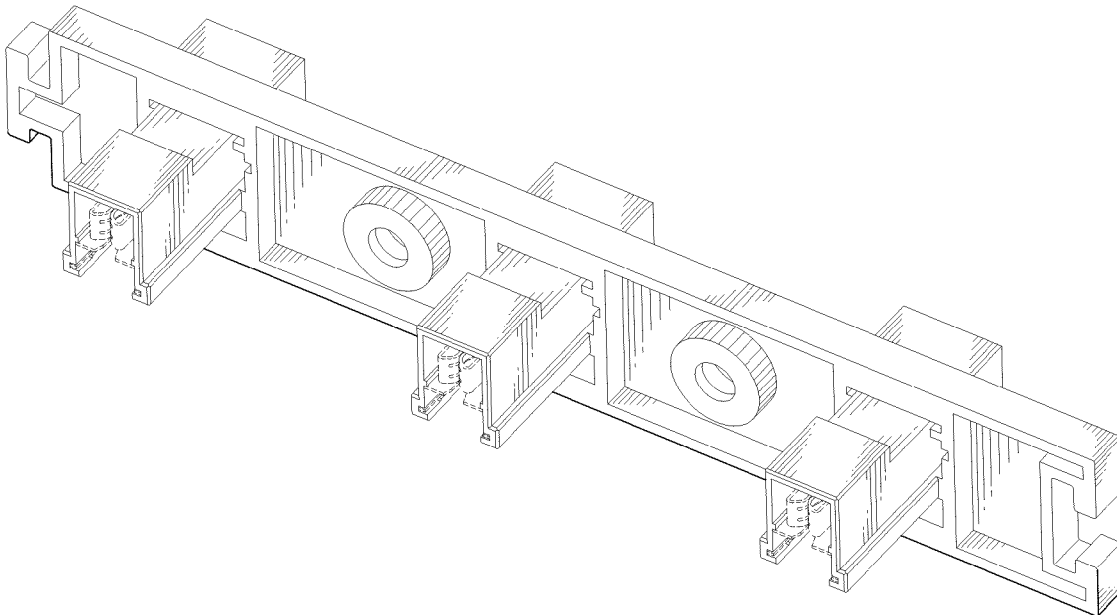
(57) **CLAIM**

The ornamental design for CCFL connector assembly, as shown and described.

DESCRIPTION

FIG. 1 is a perspective view of CCFL connector assembly showing our new design;
 FIG. 2 is a front elevational view thereof;
 FIG. 3 is a rear elevational view thereof;
 FIG. 4 is a left side elevational view thereof;
 FIG. 5 is a right side elevational view thereof;
 FIG. 6 is a top plan view thereof;
 FIG. 7 is a bottom plan view thereof; and,
 FIG. 8 is a perspective view showing the design of CCFL connector assembly in a usage condition showing the design deployed in a multiple configuration.
 The broken lines in the Figures show unclaimed detail only and form no part of the claimed design.

1 Claim, 8 Drawing Sheets



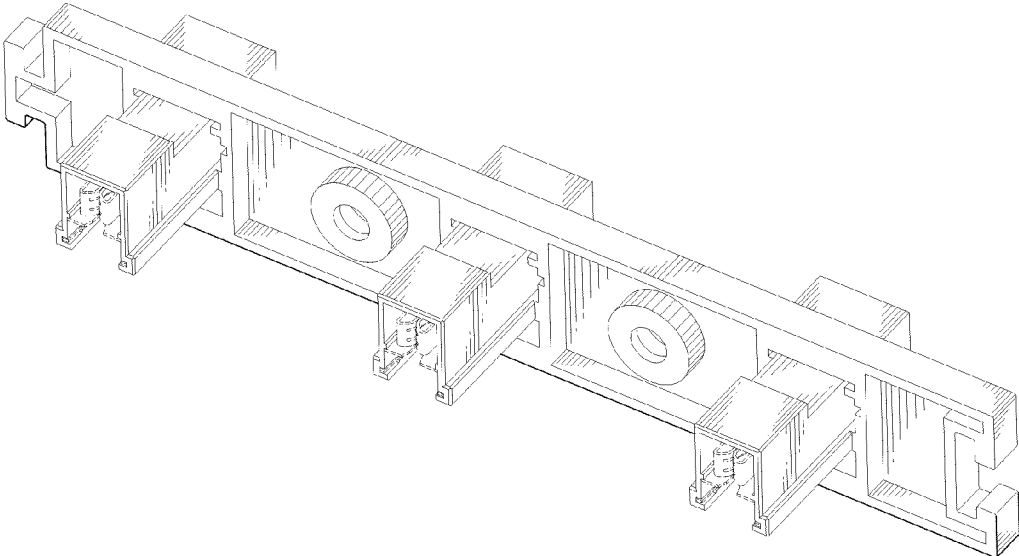


FIG. 1

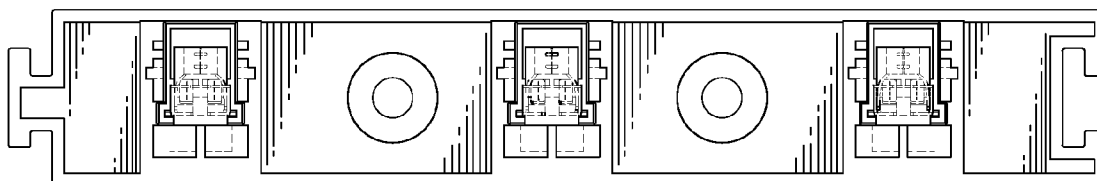


FIG. 2

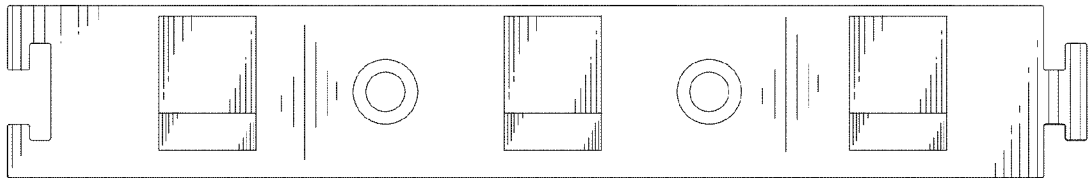


FIG. 3

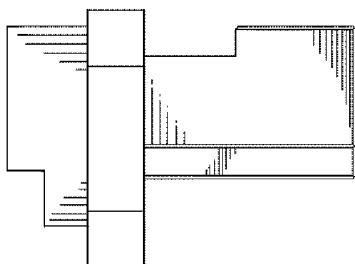


FIG. 4

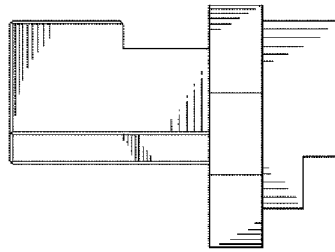


FIG. 5

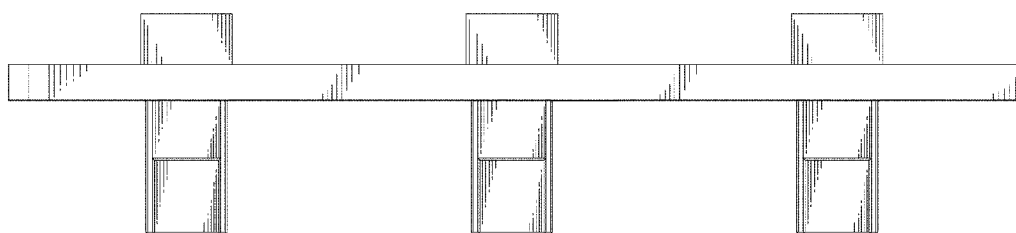


FIG. 6

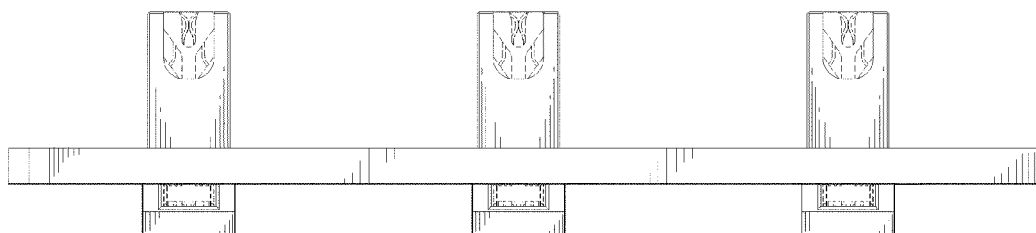


FIG. 7

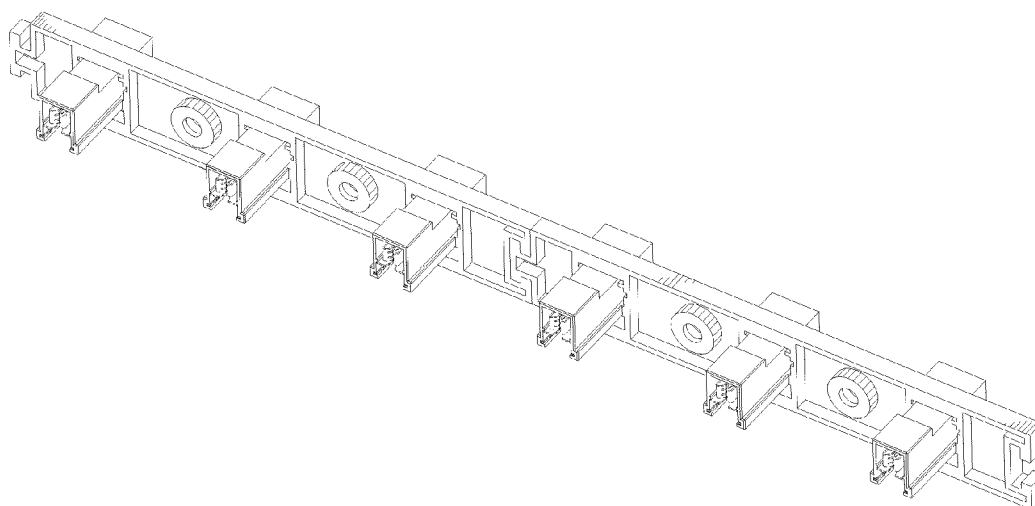


FIG. 8