

(19) World Intellectual Property Organization
International Bureau



(43) International Publication Date
11 December 2008 (11.12.2008)

PCT

(10) International Publication Number
WO 2008/149242 A2

- (51) International Patent Classification:
B67D 5/02 (2006.01)
- (21) International Application Number:
PCT/IB2008/002401
- (22) International Filing Date: 16 May 2008 (16.05.2008)
- (25) Filing Language: English
- (26) Publication Language: English
- (30) Priority Data:
11/750,036 17 May 2007 (17.05.2007) US
- (71) Applicant (for all designated States except US): **ELECTRICAL & ELECTRONICS LTD.** [—/CN]; 53 Ting Kok Road, 12/FL, Block 3 Tai Ping Industrial Center, Tai Po, Hong Kong (CN).
- (72) Inventors: **CHEN, Andrew, Yeun, Chin**; 53 Ting Kok Road, 12/FL, Block 3 Tai Ping Industrial Center, Tai Po,

Hong Kong (CN). **CHENG, Amy, Decem**; 53 Ting Kok Road, 12/FL, Block 3 Tai Ping Industrial Center, Tai Po, Hong Kong (CN). **LUI, Kwan, Fa**; 53 Ting Kok Road, 12/FL, Block 3 Tai Ping Industrial Center, Tai Po, Hong Kong (CN).

- (81) Designated States (unless otherwise indicated, for every kind of national protection available): AE, AG, AL, AM, AO, AT, AU, AZ, BA, BB, BG, BH, BR, BW, BY, BZ, CA, CH, CN, CO, CR, CU, CZ, DE, DK, DM, DO, DZ, EC, EE, EG, ES, FI, GB, GD, GE, GH, GM, GT, HN, HR, HU, ID, IL, IN, IS, JP, KE, KG, KM, KN, KP, KR, KZ, LA, LC, LK, LR, LS, LT, LU, LY, MA, MD, ME, MG, MK, MN, MW, MX, MY, MZ, NA, NG, NI, NO, NZ, OM, PG, PH, PL, PT, RO, RS, RU, SC, SD, SE, SG, SK, SL, SM, SY, TJ, TM, TN, TR, TT, TZ, UA, UG, US, UZ, VC, VN, ZA, ZM, ZW.
- (84) Designated States (unless otherwise indicated, for every kind of regional protection available): ARIPO (BW, GH, GM, KE, LS, MW, MZ, NA, SD, SL, SZ, TZ, UG, ZM, ZW), Eurasian (AM, AZ, BY, KG, KZ, MD, RU, TJ, TM),

[Continued on next page]

(54) Title: BEVERAGE BREWING APPARATUS WITH PUMP DISPENSING SYSTEM

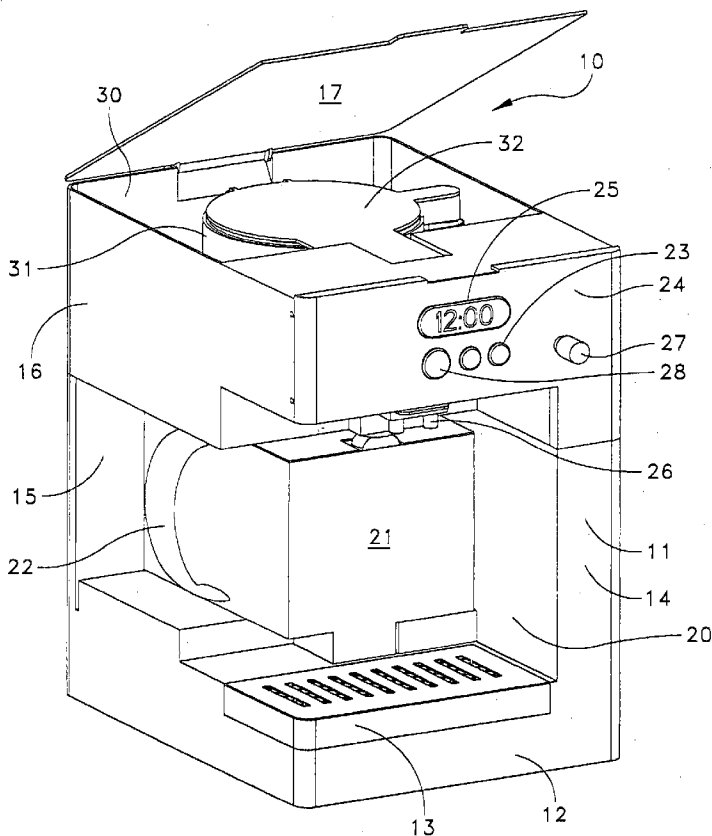


FIG. 2

(57) Abstract: A beverage machine for preparing and dispensing a hot beverage having a pump dispensing system. Hot water passes through a water distributor to infuse material in a filter basket. A coffee tank receives the brewed beverage and maintains it at an appropriate temperature. On demand, a pump dispensing system delivers the beverage through an outlet chamber and spout into a user's cup. The user manipulates a switch to vary the rate at which the pump dispensing system dispenses the beverage.

WO 2008/149242 A2



European (AT, BE, BG, CH, CY, CZ, DE, DK, EE, ES, FI, FR, GB, GR, HR, HU, IE, IS, IT, LT, LU, LV, MC, MT, NL, NO, PL, PT, RO, SE, SI, SK, TR), OAPI (BF, BJ, CF, CG, CI, CM, GA, GN, GQ, GW, ML, MR, NE, SN, TD, TG).

Published:

— *without international search report and to be republished upon receipt of that report*

BEVERAGE BREWING APPARATUS WITH PUMP DISPENSING SYSTEM

Technical Field

[0001] This invention relates to an apparatus for brewing a beverage and more specifically to such apparatus with improved beverage dispensing characteristics.

Background Art

[0002] Various types of apparatus exist for brewing hot beverages such as tea and coffee. One example is a drip-type coffee brewing apparatus that, in its basic form, directs heated water onto infusible coffee grounds in a filter basket to brew multiple servings of coffee. A carafe receives the hot beverage. The carafe may comprise a Dewar container or a glass carafe that sits on a warming plate to maintain the beverage at an appropriate temperature. A consumer pours a single serving from the carafe into a cup or mug. After use, normal cleanup requires washing of the carafe and the filter basket. Sometimes during use, coffee drips from the carafe or the filter basket onto the warming plate where it dries into an unsightly and malodorous deposit that requires additional cleaning.

[0003] Recently a number of manufacturers have introduced single-serving coffee brewing apparatus that eliminates the need for a carafe and the attendant steps of removing the carafe from the brewing apparatus, pouring an individual serving of the beverage into a cup and replacing the carafe with any remaining beverage in the brewing apparatus. Eliminating the carafe also minimizes occurrences of spilling and splashing on clothing. Thus, it is desirable in the beverage brewing art to provide a drip-type hot beverage brewing device that may automate the dispensing process and avoid the above-mentioned drawbacks to conventional drip-type apparatus using carafes.

[0004] U.S. Patent No. 6,681,960 (2004) to Garman discloses a coffee brewing machine that brews multiple servings and dispenses coffee in single servings thereby eliminating the need for a carafe.

A stand has a recess for receiving a portion of a coffee cup. A water reservoir and a brewed beverage tank attach to the top of the stand. The brewed beverage tank includes a filter basket

at the top and a reservoir in the bottom. In use, multiple servings of brewed coffee accumulate in the beverage reservoir. When a coffee cup is placed in the receptacle, it displaces a pushbutton that, through a mechanical linkage, opens a valve to dispense a
5 single serving.

[0005] With this design, both the brewing tank and water reservoir are above the stand providing a beverage maker that has a high center of gravity. The dispensing actuator is placed under the brewing tank outlet. This presents a possibility of errant
10 spills or drips striking an individual's hand while a cup is being filled, especially because the individual must use the cup to displace the pushbutton against the forces a return spring and linkage friction exert until the desired amount of beverage has been dispensed. The individual must also pay attention during
15 this operation while filling an individual cup because it is possible to dispense more than a cup at a time. This places another demand on an individual's attention.

[0006] In addition, the stand height determines the maximum cup height. That is, a cup must lie between the brewing tank and
20 the bottom of the base unit. Any desire to limit the stand height may constrain the variety of cups that can be used with the coffee machine of U.S. Patent No. 6,681,960. For example, for a given stand height, it may be possible to accommodate a conventional coffee cup, but preclude the use of a tall travel mug. Adapting
25 such a coffee machine to accommodate a tall travel mug could increase the height to an unacceptable level and extend the distance from an outlet spout to a standard coffee cup to an unacceptable distance.

[0007] These demands and limitations increase complexity of
30 use. Consequently, apparatus that incorporates the features of the above-mentioned coffee machine will not be user-friendly. Therefore what is needed is hot beverage brewing apparatus for making multiple servings of a beverage and facilitating the use of that apparatus by enabling individuals to dispense single
35 servings. More specifically what is needed is a user friendly, hot beverage brewing apparatus that minimizes an individual's

attention demands, eliminates the need for a carafe or the like and is relatively compact.

Disclosure of Invention

5 [0008] Therefore it is an object of this invention to provide a user friendly hot beverage brewing apparatus for brewing multiple servings of a hot beverage and for dispensing the brewed beverage in individual servings.

[0009] Another object of this invention is to provide hot beverage brewing apparatus for brewing multiple servings and for dispensing individual servings that are easy to use and to clean.

10 [0010] Yet another object of this invention is to provide a multiple serving hot beverage brewing apparatus that minimizes an individual's involvement in dispensing a single serving of the hot beverage.

[0011] Still another object of this invention is to provide a multiple serving hot beverage brewing apparatus that enables an individual to dispense an individual serving without a requirement for continually monitoring the dispensing progress.

[0012] Still yet another object of this invention is to provide a multiple serving hot beverage brewing apparatus that eliminates the need for a carafe for receiving the entire output of a brewing operation.

20 [0013] Yet still another object of this invention is to provide a multiple serving hot beverage brewing apparatus that is compact and stable during use.

[0014] Another object of this invention is to provide a multiple serving hot beverage brewing apparatus that allows beverage to be dispensed into cups of different heights.

25 [0015] Yet other object of this invention is to provide a reliable multiple serving hot beverage brewing apparatus that facilitates the dispensing of individual servings that is economical to manufacture.

30 [0016] In accordance with this invention, a brewing apparatus for a hot beverage delivered to a dispensing spout includes a base.

A filter basket assembly mounts to the base and receives hot water to infuse an extractable substance thereby to produce a hot beverage

that is delivered to a beverage tank mounted on the base and below the filter basket assembly to accumulate the hot beverage during the brewing process. A dispensing pump assembly with an impeller in the hot beverage tank displaces the beverage through a dispensing spout to an individual's cup.

Brief Description of Drawings

[0017] The appended claims particularly point out and distinctly claim the subject matter of this invention. The various objects, advantages and novel features of this invention will be more fully apparent from a reading of the following detailed description in conjunction with the accompanying drawings in which like reference numerals refer to like parts, and in which:

[0018] FIG. 1 is perspective view of one embodiment of a brewing apparatus that incorporates the present invention in the form of a coffee brewing machine with a covering lid in a closed position and a beverage tank assembly in place;

[0019] FIG. 2 is perspective view of the coffee brewing machine of FIG. 1 with the covering lid in an open position;

[0020] FIG. 3 is perspective view of the coffee brewing machine in FIG. 2 with a filter basket and beverage tank assembly removed;

[0021] FIG. 4 is an exploded view of the coffee brewing machine of FIG. 1;

[0022] FIG. 5 is a sectional view taken along lines 5-5 in FIG. 1;

[0023] FIG. 6 is an enlarged detailed view of a pump assembly shown in FIG. 5;

[0024] FIG. 7 is perspective view of a beverage tank assembly useful in the coffee brewing machine of FIG. 1; and

[0025] FIG. 8 is perspective view of a filter basket assembly useful in the coffee brewing machine of FIG. 1.

Best Mode for Carrying Out the Invention

[0026] FIGS. 1 through 3 depict one example of a beverage brewing apparatus that incorporates this invention in the form of a coffee brewing machine 10 that includes a housing 11 adapted to stand on a counter or other horizontal support surface. A bottom housing portion 12 includes a drain assembly 13 with a sump for supporting

a coffee cup and capturing any spills. A vertical side housing 14 contains an internal cavity for routing certain elements, such as a tube that carries cold water to a heater. A back housing panel 15 and the vertical side housing 14 support a water reservoir 16 with a housing lid 17 at the top of the coffee brewing machine 10. The housing 11 with its bottom housing portion 12, vertical side housing 14, back housing panel 15 and water reservoir 16 define a cavity 20. The cavity 20 receives a beverage tank assembly 21 with a handle 22 for facilitating the removal and insertion of the beverage tank assembly 21 from and into the cavity 20.

[0027] The water reservoir 16 also includes one set of brewing controls 23 on a front control panel 24 along with a display 25 which, in this embodiment, displays clock time. The brewing controls 23 are used in brewing multiple servings of coffee. Such controls are known to those of ordinary skill in the art.

[0028] In accordance with one aspect of this invention, after coffee is brewed an individual places a cup or mug on the drain assembly 13 under a dispensing spout assembly 26. Then the individual manually activates a dispensing control 27 on the control panel 24 to energize a dispensing pump assembly in the housing 11. So long as the dispensing pump assembly is energized and there is coffee in the beverage tank assembly 21, the coffee brewing machine 10 dispenses coffee through the spout assembly 26 into a cup.

[0029] FIG. 2 depicts the coffee brewing machine 10 of FIG. 1 with the housing lid 17 open to expose to view a brewing station 30 with a filter basket 31 covered by a water spreader lid 32, described later. As apparent from FIG. 2, the brewing station 30 is surrounded by and vertically coextensive with the water reservoir 16. This construction minimizes the overall height of the coffee brewing machine 10 by incorporating the functions of water storage and beverage brewing in the same vertical height section. Consequently, the coffee brewing machine 10 is more stable. Its reduced height also decreases the height required for storage.

[0030] During the brewing cycle, the water spreader lid 32 disperses hot water into the filter basket 31 to infuse the coffee grounds in the filter basket 31. FIG. 3 depicts the coffee brewing machine 10 with the water spreader lid 32 removed from the filter basket 31 and with the beverage tank assembly 21 removed from the cavity 20. Removing the water spreader lid 32 exposes to view a hot water outlet 33 that supplies hot water for brewing. Removing the beverage tank assembly 21 exposes to view a pedestal 34 formed on the bottom housing portion 12 that carries a support ring 35, a heat insulating washer 36 and a warming plate 37. These elements enable heat to transfer to the contents of the beverage tank assembly 21, but minimize the transfer of heat to surrounding portions of the pedestal 34.

[0031] FIG. 4 is an exploded view that is useful in understanding the nature and relationship of the various components and assemblies that constitute this embodiment of the coffee brewing machine 10 and that provide the construction and operation that meets the several objects of this invention. For example, referring first to the transfer of brewed coffee accumulated in the beverage tank assembly 21 to the spout assembly 26, FIGS. 4, 5 and 6 depict a dispensing pump assembly 38 that includes a pump drive subassembly 40 mounted to the bottom housing portion 12 below the pedestal 34 and an impeller subassembly 41 mounted within the beverage tank assembly 21.

[0032] The pump drive subassembly 40 includes a pump motor 42. A bracket 43 attaches to the pump motor 42 and anchors the pump motor to the underside of the pedestal 34 in a manner that is not shown, but will be apparent to those of ordinary skill in the art.

The pump motor 42 rotates a magnet support 44 that carries angularly spaced, alternately polarized permanent magnets 45. As this structure is mounted below the pedestal 34, the pump drive subassembly 40 does not contact brewed beverage in the beverage tank assembly 21. Therefore the pump drive subassembly 40 does not require regular cleaning.

[0033] As shown particularly in one or more of FIGS. 4 through 7, one end of the beverage tank assembly 21 receives the impeller

assembly 41. The impeller assembly 41 includes a pump impeller 46 mounted on an impeller shaft 47 and is located in a well 48 at one end of the beverage tank assembly 21. A support bearing 49 fixed in the bottom of the well 48 carries the impeller shaft 47 and pump impeller 46 for rotation in the well 48. A support ring 50 on the impeller shaft 47 carries four angularly spaced, alternately polarized magnets 51. The materials of the pedestal 34 and the well 48 intermediate the pump drive subassembly 40 and the impeller assembly 41 are non-magnetic materials.

High-temperature plastics are one example of such materials. Consequently as the magnets 45 in the pump drive assembly 40 rotate, the magnetic fields from the magnets 45 and 51 can interact to induce the impeller subassembly 41 to rotate.

[0034] As shown in FIGS. 6 and 7, the well 48 also receives a portion of a dispensing tube 52. More specifically, the well 48 includes a bottom portion 53 lying below the impeller subassembly 41. The dispensing tube 52 includes a base 54 with depending side walls. The base 54 slides into the well 48 and attaches to upstanding posts 55 thereby to form a pumping chamber with an outlet port 57.

[0035] As the beverage tank assembly 21 fills, the liquid passes through an inlet 57 formed in the base 54 to fill the pumping chamber in the well 48. Thus, when an individual activates the dispensing control 27 in FIGS. 1 through 3, the pump motor 42 in FIGS. 4 and 6 rotates the magnets 45 on the pump drive assembly 40. This causes the impeller assembly 41 to rotate and to pump the beverage through an upstanding tube 58 of the dispensing tube 52. The upstanding tube 58 extends through a notch 59 in a beverage tank assembly lid 60 that is closed during normal operations. As shown in FIG. 5, during a dispensing operation, the pumped beverage passes from the upstanding tube 58 to another tube 61 through a sealing coupling 62. From the upstanding tube 61, the beverage transfers to a beverage output chamber 64 to be dispensed through the spout assembly 26.

[0036] As more specifically shown in FIG. 8, the spout assembly 26 includes an inner spout unit 65 with left and right spouts 65L

and 65R that depend from and are integral with the beverage outlet chamber 64. An outer spout unit 66 includes a sleeve 67 that slides over the spouts 65L and 65R. An adjustment tab 68 enables an individual to adjust the lower position of the outer spout 66.

5 Two outlet ports 66L and 66R depend from the outer spout 66. Thus in accordance with one objective of this invention, the height between the outlet ports 66L and 66R and the drain assembly 13 can be adjusted to accommodate cups of different heights. In one specific embodiment, a coffee brewing machine 10 accommodates cups
10 having a height from 7 cm. to 18 cm.

[0037] In this embodiment of the coffee brewing machine 10, the brewing station 30 and the beverage tank assembly 21 readily separate from the housing 11 to achieve the objective of easy cleaning. As will be apparent from FIG. 5, this requires that
15 the relationship between the beverage tank assembly 21 and the brewing station 30 have two detachable liquid paths. The first is the path from the dispensing pump assembly 38 to the beverage output chamber 64. The second is the path from the brewing station 30 to the beverage tank assembly 21.

20 [0038] Referring to the first path and FIG. 5, in accordance another aspect of this invention, the sealing coupling 62 interconnects the tubes 58 and 61 and assures that there is no leakage when the systems are assembled. Specifically, the sealing coupling 62 includes a dome-shaped seal 71, a hook joint 72 and
25 a spring 73. The dome-shaped seal 71 is formed as an accordion tube for expansion and contraction. Both the dome-shaped seal 71 and the spring 73 are positioned within the hook joint 72 that is mounted on the filter basket 31. Consequently the joint can move up and down as vertical pressure on the dome-shaped seal 71
30 changes. That is, the dome-shaped seal 71 rises when both the beverage tank assembly 21 and the brewing station 30 are in place.

The spring 73 provides a sealing bias. Thus when the beverage tank assembly 21 is in place, the upper end of the dispensing tube 58 seals against the dome-shaped seal 71, but readily separates
35 when it desired to remove either the brewing station 30 or the beverage tank assembly 21 or both for cleaning.

[0039] The second liquid path conveys liquid from the filter basket 31 to the beverage tank assembly 21 through a beverage tank cover 59. Looking at FIGS. 5, 7 and 8, the beverage tank cover 59 includes a dimpled portion 74 with a central aperture 75. The filter basket 31 in the brewing station 30 tapers inwardly to a filter basket outlet port 76 in the form of a bottom central opening.

A brewing basket valve 80 acts as a drip stop assembly and controls the flow of beverage through the filter basket outlet port 76 and the central aperture 75 in the beverage tank assembly 21.

[0040] Referring to FIGS. 5 and 8, the brewing basket valve 80 includes a valve rod 81 that terminates in a bottom head portion 82 and an upper valve seal 83. A spring 84 biases the valve rod 81 downwardly to a position where the valve seal 83 closes the filter basket outlet port 76 at the bottom of the filter basket 31. When the beverage tank assembly 21 and the brewing station 30 are both in place, the beverage tank cover 58 raises the head portion 82 and opens the valve seal 83 so brewed beverage can pass through the filter basket outlet port 76. This structure provides a detachable liquid path that is open during normal use. However, the seal closes with removal of either the beverage tank assembly 21 or the brewing station 30. Consequently, the brewing basket valve 80 also facilitates the separation of the beverage tank assembly 21 and the brewing station 30 from each other and the housing 11 for cleaning.

[0041] With the foregoing as background, other features and construction concepts of a coffee brewing machine can be understood by referring to FIGS. 3 through 5 and by describing the operation of the coffee brewing machine 10. First, an individual fills the water reservoir 16 and places an appropriate quantity of fresh coffee grounds in the filter basket 31 typically in a paper filter (not shown). In one embodiment the coffee brewing machine 10 has the capacity to brew 12 5-ounce servings of coffee. With the beverage tank assembly 21 and the brewing station 30 in place, the brewing controls 23 on the control panel 24 are set to brew a desired amount of coffee up to the maximum capacity. In response, cold water flows from the water reservoir 16 to a heater 90 through

a cold water inlet tube 91. The heater 90 elevates the temperature of the water to exit as heated water through an outlet tube 92.

[0042] Hot water from an outlet tube 92 shown in FIGS. 4 and 5 flows through a water distribution assembly 93 mounted to the bottom of the water spreader lid 32. Referring to FIG. 8, the water distribution assembly 93 includes a nipple 94 for the outlet tube 92, a radial passage 95 and a shower head 96. This structure distributes hot water evenly over the coffee grounds to infuse the beverage. As the brewed beverage accumulates, it passes through the open brewing basket valve 80 into the beverage tank assembly 21 and particularly into the well 48. The heater 90 also provides a sufficient heat transfer through the conductive plate 37 and a conductive plate 85 in the bottom of the beverage tank assembly 21 to maintain the brewed beverage at an appropriate serving temperature.

[0043] Referring to FIG. 5, to dispense a cup of coffee as a single serving, an individual places a cup on the drain assembly 13 and uses the spout adjustment tab 68 to position the outer spout unit 66 at an appropriate position along the inner spout unit 65. Then the individual manipulates the dispensing control 27 shown in FIG. 1 to select an amount of beverage and to energize the pump motor 42 in the pump drive subassembly 40. The induced rotation at the impeller subassembly 41 pumps beverage up the dispensing tube 52 through the sealing coupling 62 and the tube 61 into the beverage outlet chamber 64 whereupon it flows down through the spout assembly 26 to exit into the cup. Interposing the beverage outlet chamber 64 between the tube 61 and the spout assembly 26 minimizes the risks of splashing coffee in the cup. Without the beverage outlet chamber 64 the coffee could exit the spout assembly 26 under pressure. The beverage outlet chamber 64 dissipates any pressure from pumping, so the brewed beverage merely drains from the spout assembly 26.

[0044] Manipulation of the dispensing control 27 can produce one of any number of operations. In a simple control system, the individual applies pressure to the dispensing control 27 until the desired quantity of coffee is in the cup. It has been found

that the dispensing pump assembly discharges beverage at a rate that is proportional to pump speed. A control could be included that responds to the individual pressing the dispensing control 27 momentarily by energizing the pump motor 42 for an interval required to dispense a predetermined amount of coffee; e.g., 5 ounces as a single serving. A still more sophisticated control system could allow the individual to select a specific quantity and then dispense a corresponding amount by calculating the time required for dispensing that amount.

10 [0045] As will now be apparent, different embodiments of a beverage brewing apparatus constructed in accordance with this invention will meet some or all of the objectives of this invention. For example, the disclosed combination of the various components, subassemblies and assemblies permit the batch brewing of multiple beverage servings that accumulate in the beverage tank assembly 15 21. The beverage tank assembly 21, pump assembly 38, the dispensing control 27, dispensing tube 52, tube 61 and the beverage output chamber 64 allow a predetermined single-serving or multiple-serving quantity to fill a cup or other container through 20 the spout assembly 26. This structure also eliminates the need for a carafe and the handling of that carafe by an individual. With certain control embodiments an individual can place a cup on the drain assembly 13, select a serving size and activate a button to fill a cup without further involvement in the process. 25 Consequently, this invention permits the construction of a beverage brewing apparatus that is user friendly.

[0046] As will also be apparent, a beverage brewing system constructed in accordance with this invention will be compact and stable during use. It will allow a beverage to be dispensed into 30 cups of different heights. Cleaning is simplified because all the components that contact the brewed beverage are readily removed for cleaning, even in a dishwasher. Specifically, it is easy to remove the beverage tank assembly 21 and remove the dispensing tube 62. Likewise it is easy to remove the brewing station 30 35 with the beverage output chamber 64 and tube 61. Further, as will be apparent to those of ordinary skill in the art, the construction

and organization of this embodiment provide a beverage brewing apparatus that is economical to manufacture.

[0047] This invention has been disclosed in terms of certain embodiments. It will be apparent that many modifications can be
5 made to the disclosed apparatus without departing from the invention. For example, the various components have been disclosed with specific configurations that can be varied. One specific pump assembly has been disclosed in which a pump drive subassembly is isolated from the beverage and uses a magnetically coupled
10 transmission to rotate an impeller in the beverage. Other magnetic couplings could be substituted, such as rings with different poles could be used. A different number of magnets or magnetic poles could be used. Different sealing structures could be substituted for the sealing coupling and the brewing basket valve. The control
15 of the brewing and dispensing process could be varied. In the disclosed embodiment a single heater heats the water and maintains the brewed beverage at an appropriate temperature. As an alternative, separate heaters could implement each function. Two particularly advantageous sealing structures are disclosed.
20 However, other sealing structures could be substituted that perform essentially the same function with some or all of the benefits of the disclosed sealing structures. Various spout implementations could be substituted that provide some or all the advantages of the specifically disclosed spout assembly.

[0048] Therefore, it is the intent of the appended claims to
25 cover all such variations and modifications as come within the true spirit and scope of this invention.

1. Apparatus for brewing a hot beverage to be delivered in a single serving, said apparatus comprising:
 - A) a housing,
 - B) a dispensing spout connected to said housing,
 - 5 C) a filter basket assembly mountable in said housing whereby hot water infuses an extractable substance to produce a hot beverage delivered through a filter basket outlet port,
 - D) a beverage tank assembly mounted to said housing and said filter basket assembly for accumulating the hot beverage from said filter basket outlet port, and
 - 10 E) a dispensing pump assembly having an impeller subassembly impeller immersed in the accumulated hot beverage in said beverage tank assembly with an impeller that displaces the beverage through said dispensing
 - 15 spout.
2. Apparatus as recited in claim 1 wherein said filter basket assembly includes a drip stop assembly at the outlet port that contacts said beverage tank assembly.
- 20 3. Apparatus as recited in claim 2 wherein said drip stop assembly comprises:
 - i) a valve seal for closing said output port,
 - ii) a valve rod having a head connected to said valve seal,
 - 25 iii) a spring for biasing said valve rod and seal to close said output port whereby said head engages said beverage tank assembly to open said drip stop assembly.
4. Apparatus as recited in claim 1 wherein said beverage tank assembly includes a barrier and said dispensing pump assembly comprises:
 - 30 i) a pump drive subassembly mounted to said housing exteriorly of said beverage tank assembly for producing rotary motion, and
 - 35 ii) a coupler that conveys the rotary motion of said pump drive subassembly through said barrier to said

impeller subassembly thereby to rotate said impeller.

5. Apparatus as recited in claim 4 wherein said coupler is a magnetic coupler and beverage tank assembly and housing proximate said dispensing pump are formed of a non-magnetic material.

6. Apparatus as recited in claim 5 wherein pump drive subassembly includes motor with a motor shaft and said impeller assembly includes a support bearing with a rotatable impeller shaft, said coupler comprising:

- i) a pump drive bracket attached to rotate with said rotor shaft,
- ii) a plurality of angularly spaced, oppositely polarized permanent magnets mounted to said bracket,
- iii) an impeller ring mounted to said impeller shaft, and
- iv) a plurality of angularly spaced, oppositely polarized permanent magnets mounted to said impeller ring.

7. Apparatus as recited in claim 1 wherein said dispensing pump assembly includes first and second separable tubes connecting to said spout assembly, said apparatus additionally comprising a sealing coupling for interconnecting said first and second tubes during use.

8. Apparatus as recited in claim 1 additionally including a beverage output chamber intermediate said dispensing pump assembly and said spout assembly.

9. Apparatus as recited in claim 1 wherein said apparatus includes a support for a cup and said dispensing spout assembly is spaced above said support, said dispensing spout assembly including an adjustable unit for varying the distance between said dispensing spout and said support.

10. Apparatus as recited in claim 1 wherein said dispensing pump assembly includes an electric pump motor and said apparatus additionally includes a control system including a manually activated dispensing control.

11. Apparatus for brewing a hot beverage to be delivered in a single serving to a cup, said apparatus comprising:

- 5 A) housing means for forming a housing,
 B) dispensing spout means connected to said housing means for delivering the hot beverage to the cup,
 C) filter basket means mountable in said housing means for infusing an extractable substance to produce a hot beverage, said filter basket means including outlet port means for delivering hot beverage,
10 D) beverage tank means mounted to said housing below said filter basket means for accumulating the hot beverage from said outlet port means, and
 E) dispensing pump means for pumping hot beverage from said beverage tank means to said dispensing spout means
15 including impeller means immersed in the accumulated hot beverage in said beverage tank assembly for displacing hot beverage through said dispensing spout means.

12. Apparatus as recited in claim 11 wherein said filter basket assembly includes a drip stop means at said outlet port means for controlling the flow of the hot beverage therethrough.
20

13. Apparatus as recited in claim 12 wherein said drip stop means comprises:

- 25 i) valve seal means for closing said outlet port means in a first position and opening said outlet port means in a second position,
 ii) valve rod means having a head connected to said valve seal for displacing said valve seal means
30 between the first and second positions,
 iii) spring means for biasing said valve rod means and valve seal means to said first position thereby to block the flow of beverage from said outlet port means, said output port whereby said head engaging
35 said beverage tank means for shifting said valve seal means to the second position.

14. Apparatus as recited in claim 11 wherein said beverage tank means includes a barrier and said dispensing pump means comprises:

- 5
- i) pump drive means mounted to said housing means exteriorly of the barrier for producing rotary motion, and
 - ii) coupling means for coupling the rotary motion of said pump drive means through said barrier to said impeller means thereby to rotate said impeller means.
- 10

15. Apparatus as recited in claim 14 wherein said coupling means includes means for generating interacting magnetic fields and said beverage tank means and housing means proximate said dispensing pump means are formed of a non-magnetic material.

16. Apparatus as recited in claim 15 wherein pump drive means includes motor with a motor shaft and said impeller means includes a support bearing with a rotatable impeller shaft, said coupling means comprising:

- 20
- i) a pump drive bracket attached to rotate with said rotor shaft,
 - ii) a plurality of angularly spaced, oppositely polarized permanent magnets mounted to said bracket,
 - iii) an impeller ring mounted to said impeller shaft, and
 - iv) a plurality of angularly spaced, oppositely polarized permanent magnets mounted to said impeller ring.
- 25

17. Apparatus as recited in claim 18 wherein said dispensing pump means includes first and second separable tubes means for connecting to said spout means, said apparatus additionally comprising sealing coupling means for interconnecting said first and second tube means during use.

18. Apparatus as recited in claim 11 additionally including beverage output chamber means for receiving hot beverage from said dispensing pump means, said spout means conveying the hot beverage from said beverage output chamber means.

35

19. Apparatus as recited in claim 11 wherein said apparatus includes support means for supporting a cup in said apparatus and said dispensing spout means is spaced above said support means, said dispensing spout means having first and second nested spout means for conveying hot beverage from said beverage output chamber means to the cup, said first spout means being attached to said beverage output chamber means and said second spout means including means for adjusting the position of said second spout means relative to said first spout means thereby to vary the distance between said dispensing spout means and said cup support means.

20. Apparatus as recited in claim 11 wherein said dispensing pump means includes an electric pump motor and said apparatus additionally includes control means including a manually activated dispensing control for energizing said electric pump motor.

15

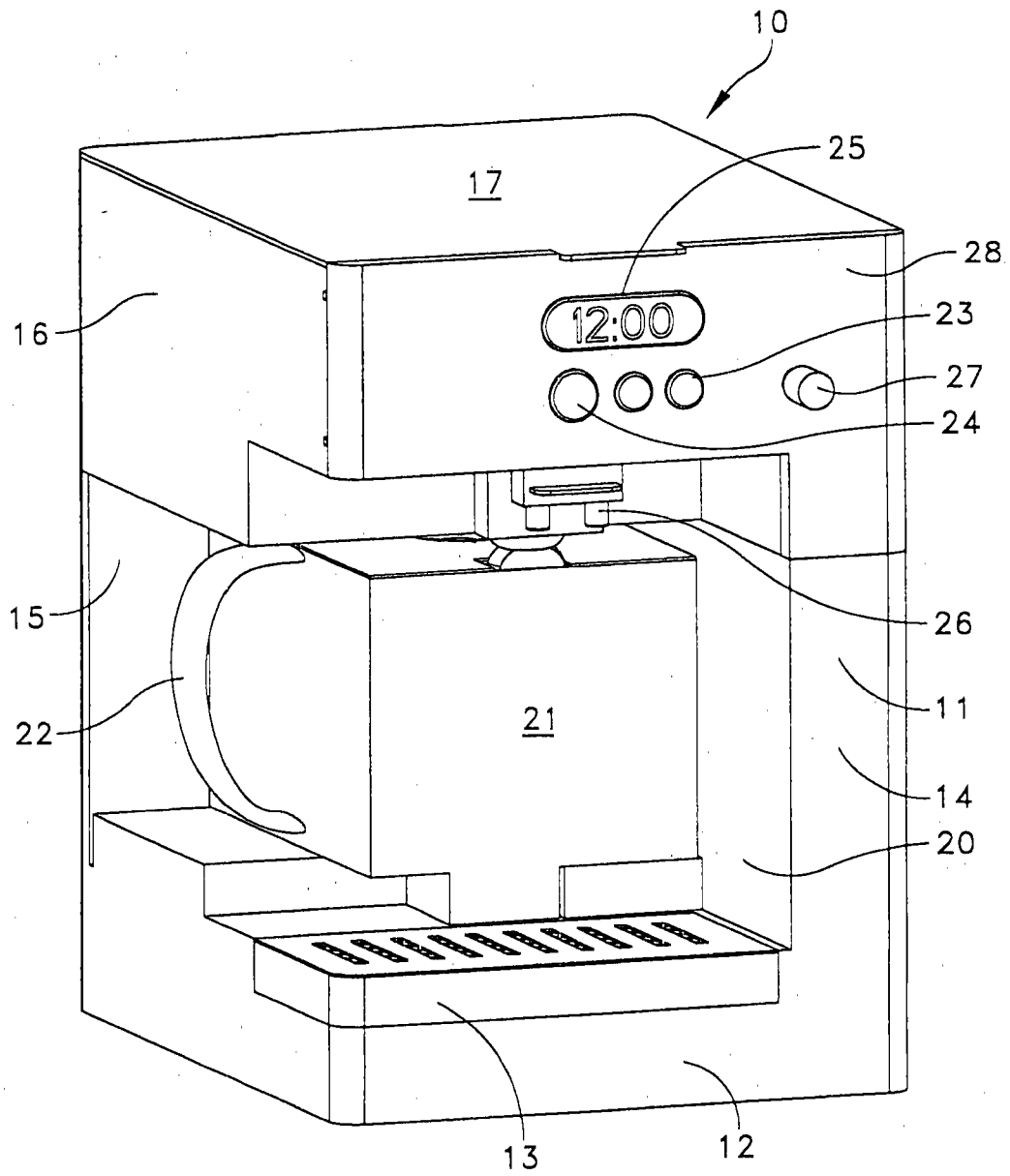


FIG. 1

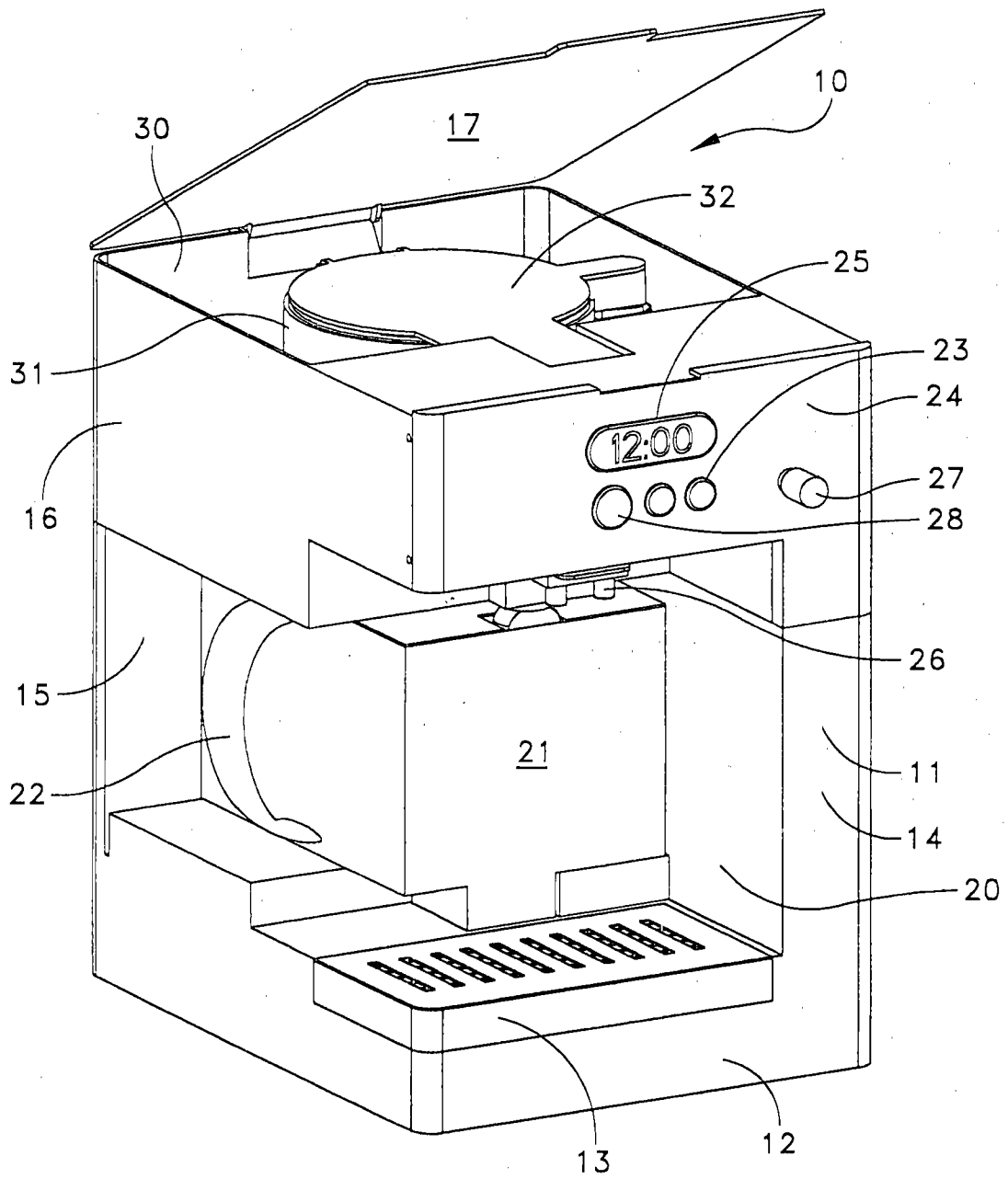


FIG. 2

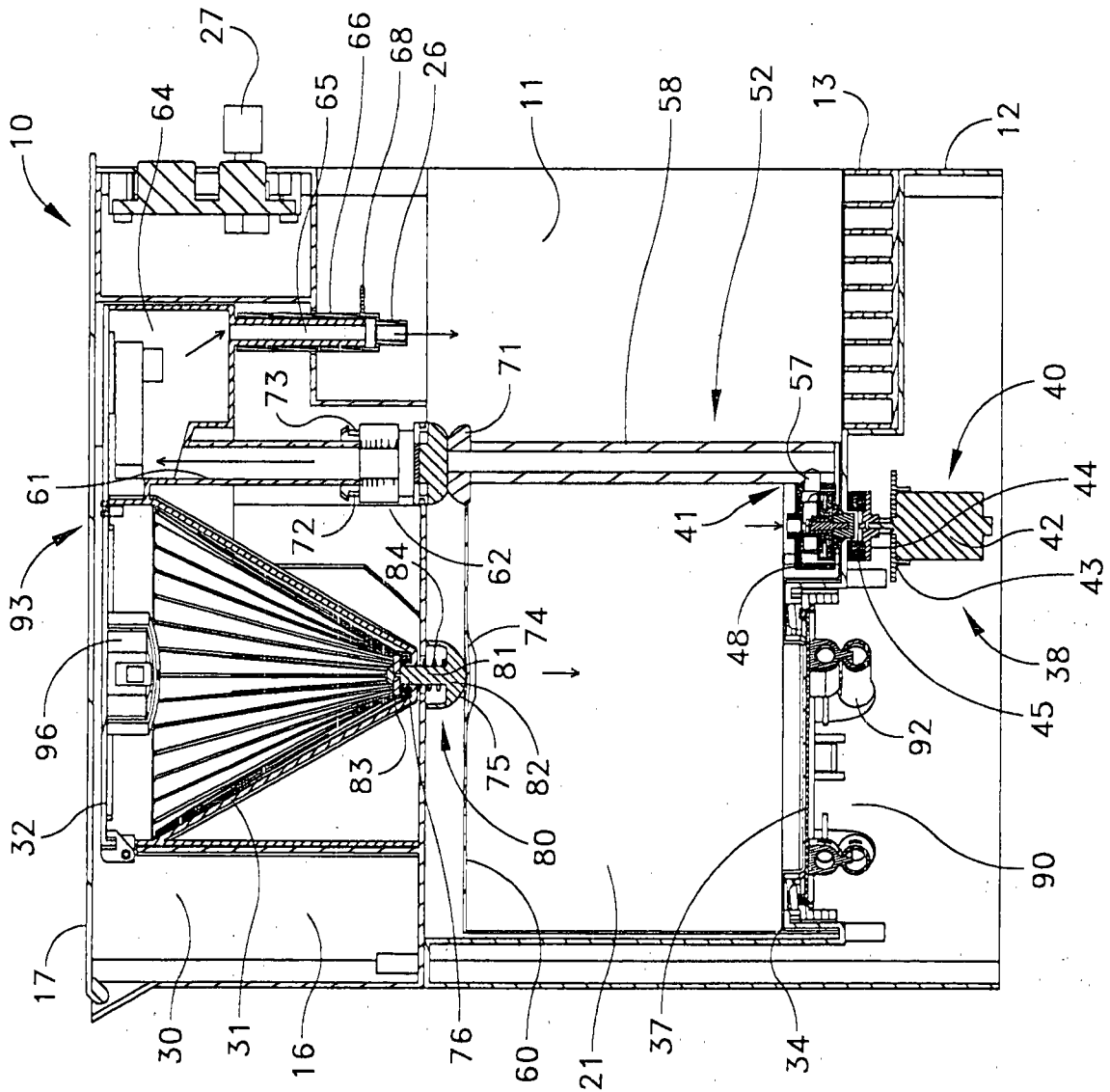


FIG. 5

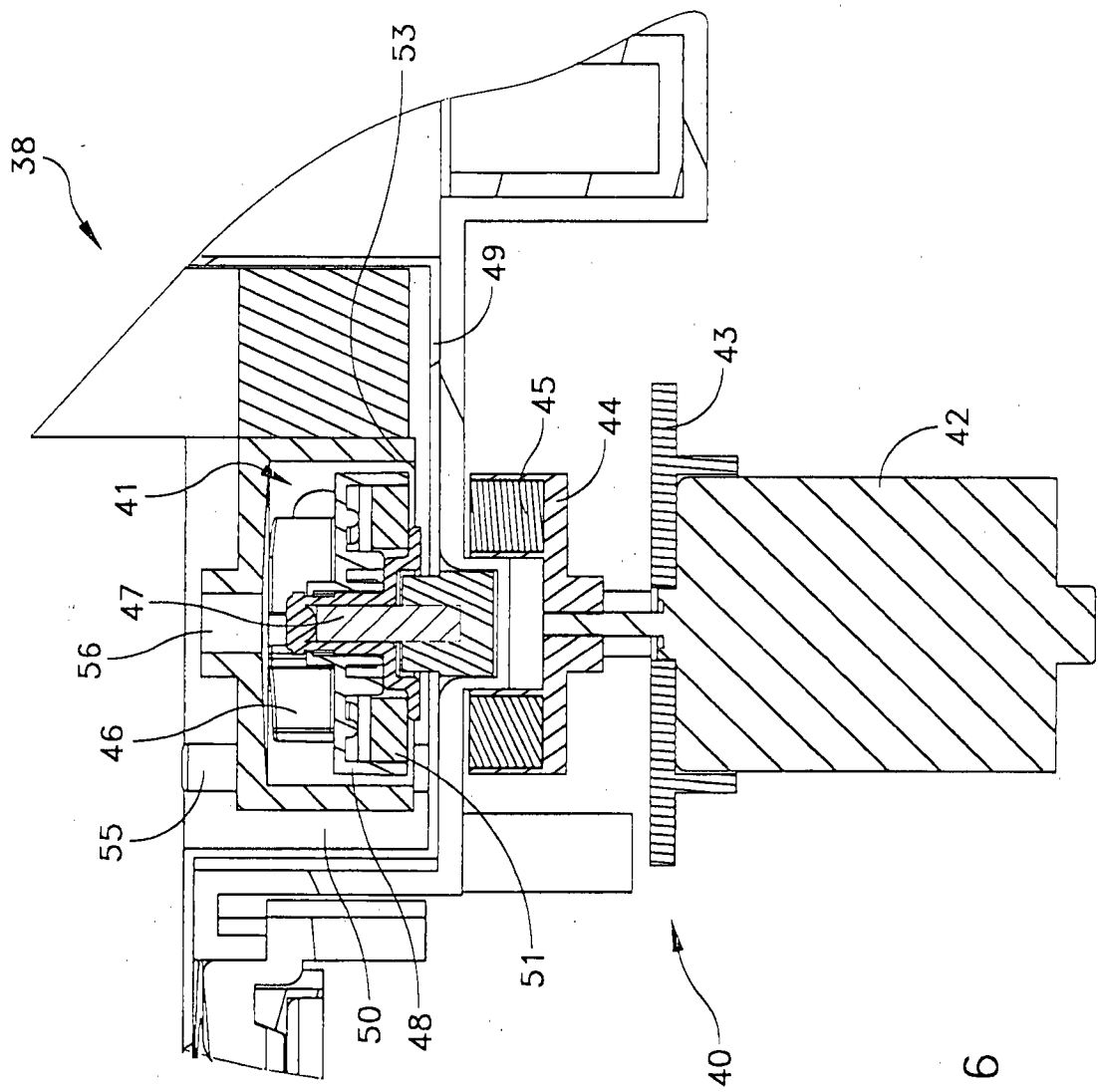


FIG. 6

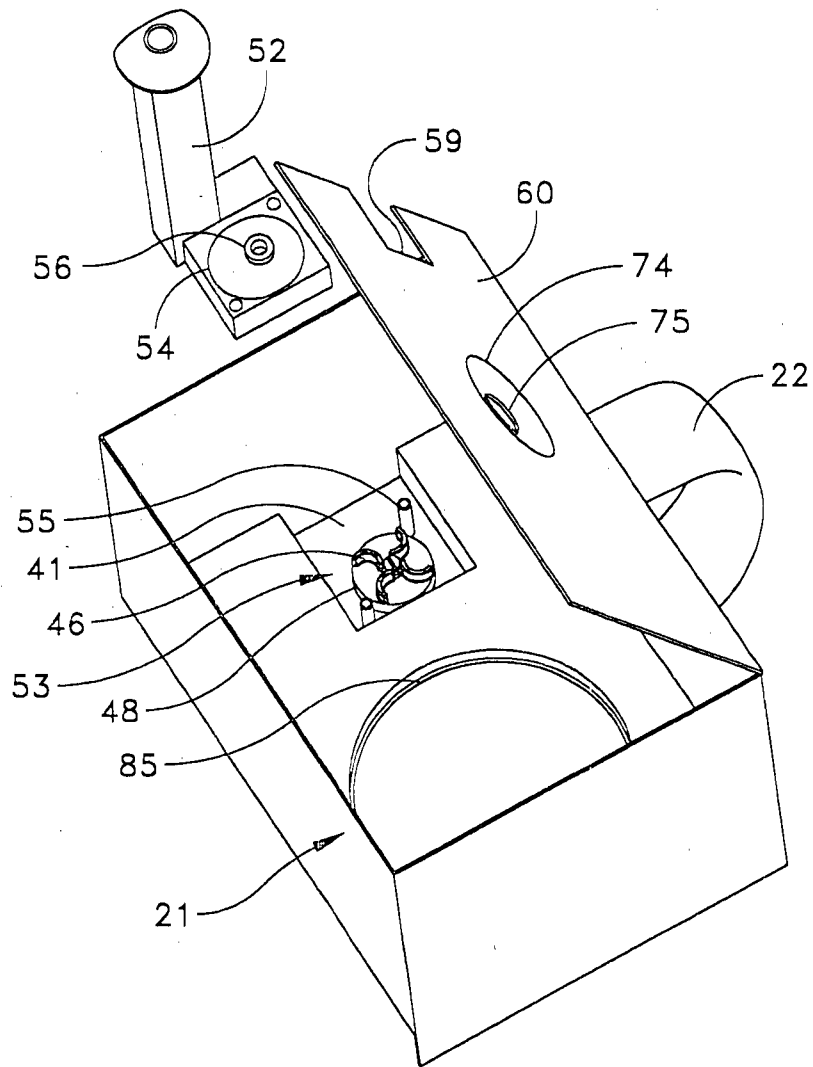


FIG. 7

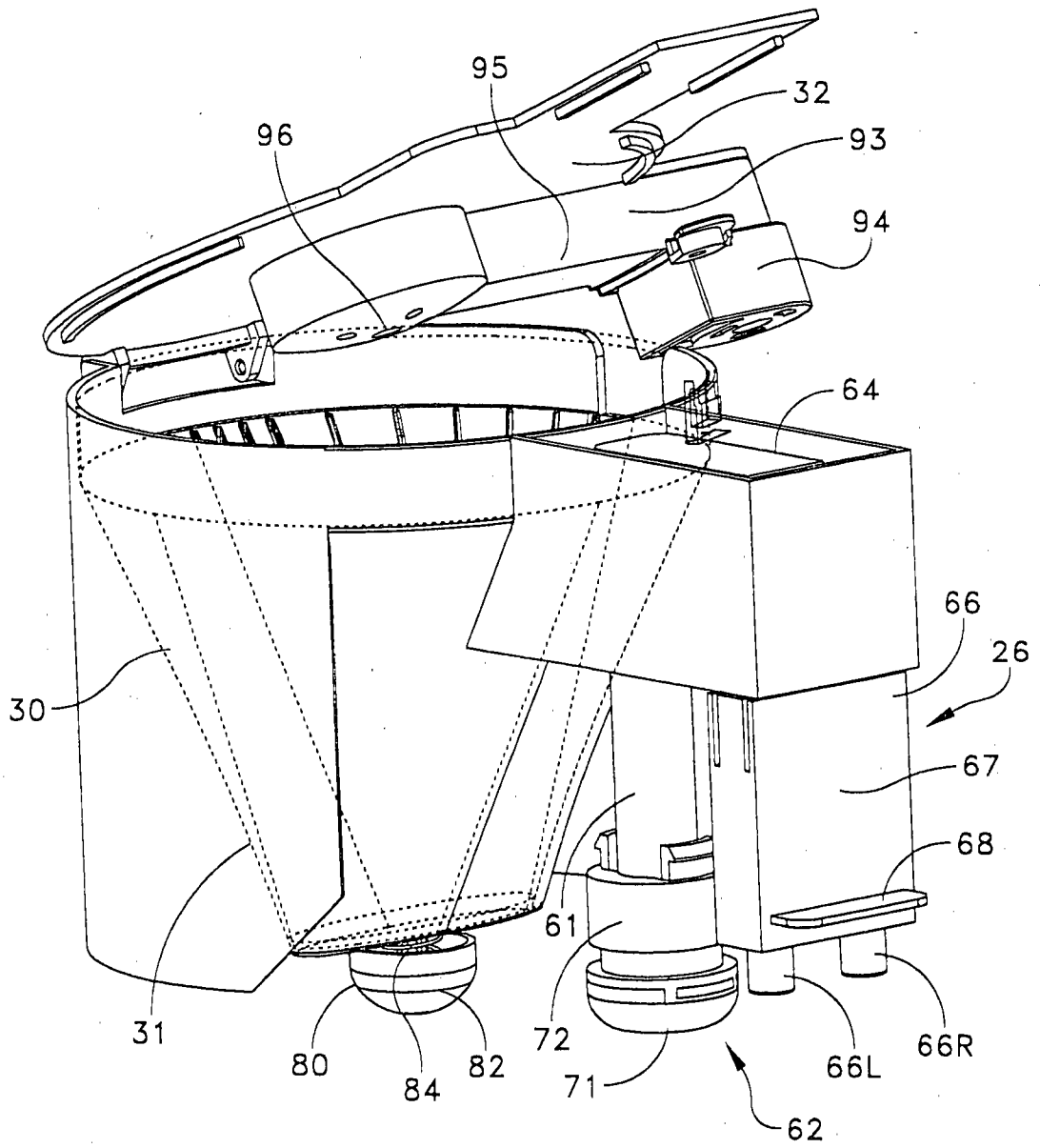


FIG. 8