

(19) World Intellectual Property Organization
International Bureau



(43) International Publication Date
10 March 2011 (10.03.2011)

(10) International Publication Number
WO 2011/028459 A3

- (51) **International Patent Classification:**
G01T 1/20 (2006.01) *G01V 5/04* (2006.01)
A61B 6/03 (2006.01)
- (21) **International Application Number:**
PCT/US2010/046279
- (22) **International Filing Date:**
23 August 2010 (23.08.2010)
- (25) **Filing Language:** English
- (26) **Publication Language:** English
- (30) **Priority Data:**
61/236,294 24 August 2009 (24.08.2009) US
- (71) **Applicant (for all designated States except US):** SAINT-GOBAIN CERAMICS & PLASTICS, INC. [US/US];
One New Bond Street, Worcester, Massachusetts
01615-0138 (US).
- (72) **Inventor; and**
- (75) **Inventor/Applicant (for US only):** PERNA, Louis [US/US]; 38641 Chestnut Ridge Road, Elyria, Ohio 44035 (US).
- (74) **Agents:** FINCH, Stephen et al.; Finch & Maloney PLLC, 175 Canal Street, Suite 53, Manchester, New Hampshire 03101 (US).

(81) **Designated States (unless otherwise indicated, for every kind of national protection available):** AE, AG, AL, AM, AO, AT, AU, AZ, BA, BB, BG, BH, BR, BW, BY, BZ, CA, CH, CL, CN, CO, CR, CU, CZ, DE, DK, DM, DO, DZ, EC, EE, EG, ES, FI, GB, GD, GE, GH, GM, GT, HN, HR, HU, ID, IL, IN, IS, JP, KE, KG, KM, KN, KP, KR, KZ, LA, LC, LK, LR, LS, LT, LU, LY, MA, MD, ME, MG, MK, MN, MW, MX, MY, MZ, NA, NG, NI, NO, NZ, OM, PE, PG, PH, PL, PT, RO, RS, RU, SC, SD, SE, SG, SK, SL, SM, ST, SV, SY, TH, TJ, TM, TN, TR, TT, TZ, UA, UG, US, UZ, VC, VN, ZA, ZM, ZW.

(84) **Designated States (unless otherwise indicated, for every kind of regional protection available):** ARIPO (BW, GH, GM, KE, LR, LS, MW, MZ, NA, SD, SL, SZ, TZ, UG, ZM, ZW), Eurasian (AM, AZ, BY, KG, KZ, MD, RU, TJ, TM), European (AL, AT, BE, BG, CH, CY, CZ, DE, DK, EE, ES, FI, FR, GB, GR, HR, HU, IE, IS, IT, LT, LU, LV, MC, MK, MT, NL, NO, PL, PT, RO, SE, SI, SK, SM, TR), OAPI (BF, BJ, CF, CG, CI, CM, GA, GN, GQ, GW, ML, MR, NE, SN, TD, TG).

Published:

- with international search report (Art. 21(3))
- before the expiration of the time limit for amending the claims and to be republished in the event of receipt of amendments (Rule 48.2(h))

[Continued on next page]

(54) **Title:** SCINTILLATION DETECTOR ASSEMBLY

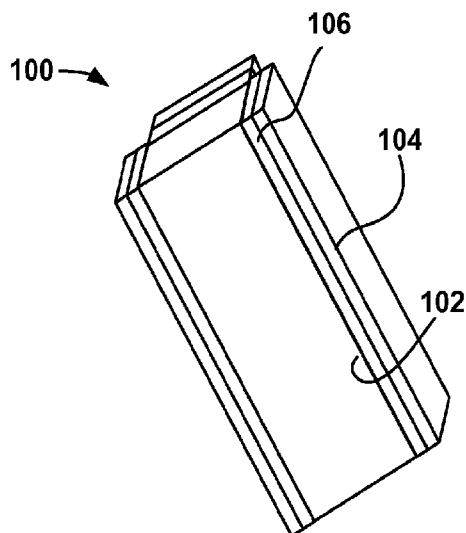


FIG. 1

(57) **Abstract:** The present disclosure relates to a scintillation assembly. The assembly may include a scintillator having a surface, a pressure sensitive adhesive layer contacting at least a portion of said surface, and a reflector proximal to the scintillator surface and adhered to the scintillator surface by the pressure sensitive adhesive layer, wherein the adhesive layer exhibits a TTV of 0.01 mm or less.



WO 2011/028459 A3

(88) Date of publication of the international search report:
16 June 2011

INTERNATIONAL SEARCH REPORT

International application No.
PCT/US2010/046279**A. CLASSIFICATION OF SUBJECT MATTER***G01T 1/20(2006.01)i, A61B 6/03(2006.01)i, G01V 5/04(2006.01)i*

According to International Patent Classification (IPC) or to both national classification and IPC

B. FIELDS SEARCHED

Minimum documentation searched (classification system followed by classification symbols)

G01T 1/20; B29D 11/00

Documentation searched other than minimum documentation to the extent that such documents are included in the fields searched

Korean utility models and applications for utility models

Japanese utility models and applications for utility models

Electronic data base consulted during the international search (name of data base and, where practicable, search terms used)

eKOMPASS(KIPO internal) & Keywords: scintillator, adhesive layer, reflector

C. DOCUMENTS CONSIDERED TO BE RELEVANT

Category*	Citation of document, with indication, where appropriate, of the relevant passages	Relevant to claim No.
X A	US 2005-0016950 A1 (ANDREACO et al.) 27 January 2005 See abstract, paragraph 22 - paragraph 25, claim 1 - 16 and figures 2 - 9.	1-16, 18-31 17
A	US 5276328 A1 (YOSHIDA et al.) 04 January 1994 See abstract, column 4, line 48 - column 8, line 48 and figures 1 and 2.	1-31
A	US 5378894 A1 (AKAI) 03 January 1995 See abstract, column 3, line 48 - column 4, line 56 and figures 1 - 3.	1-31

 Further documents are listed in the continuation of Box C. See patent family annex.

* Special categories of cited documents:

"A" document defining the general state of the art which is not considered to be of particular relevance

"E" earlier application or patent but published on or after the international filing date

"L" document which may throw doubts on priority claim(s) or which is cited to establish the publication date of citation or other special reason (as specified)

"O" document referring to an oral disclosure, use, exhibition or other means

"P" document published prior to the international filing date but later than the priority date claimed

"T" later document published after the international filing date or priority date and not in conflict with the application but cited to understand the principle or theory underlying the invention

"X" document of particular relevance; the claimed invention cannot be considered novel or cannot be considered to involve an inventive step when the document is taken alone

"Y" document of particular relevance; the claimed invention cannot be considered to involve an inventive step when the document is combined with one or more other such documents, such combination being obvious to a person skilled in the art

"&" document member of the same patent family

Date of the actual completion of the international search

21 APRIL 2011 (21.04.2011)

Date of mailing of the international search report

21 APRIL 2011 (21.04.2011)

Name and mailing address of the ISA/KR

Korean Intellectual Property Office
Government Complex-Daejeon, 189 Cheongsu-ro,
Seo-gu, Daejeon 302-701, Republic of Korea

Facsimile No. 82-42-472-7140

Authorized officer

Ahn Jae Yul

Telephone No. 82-42-481-5497



INTERNATIONAL SEARCH REPORT

Information on patent family members

International application No.

PCT/US2010/046279

Patent document cited in search report	Publication date	Patent family member(s)	Publication date
US 2005-0016950 A1	27.01.2005	US 6749761 B1 US 7157014 B1 US 7244942 B2	15.06.2004 02.01.2007 17.07.2007
US 5276328 A1	04.01.1994	JP 03-002571 B2 JP 05-045468 A JP 3002571 B2	12.11.1999 23.02.1993 24.01.2000
US 5378894 A1	03.01.1995	JP 02-930823 B2 JP 05-256949 A JP 2930823 B2	21.05.1999 08.10.1993 09.08.1999