



(51) International Patent Classification:
F16K 1/32 (2006.01) E21B 34/06 (2006.01)
F16K 31/00 (2006.01) F16K 1/12 (2006.01)

(71) Applicant (for all designated States except US): **BAKER HUGHES INCORPORATED** [US/US]; P.O. Box 4740, Houston, Texas 77210-4740 (US).

(21) International Application Number:
PCT/US2010/039946

(72) Inventors; and
(75) Inventors/Applicants (for US only): **JOSEPH, Paul** [US/US]; 31 Flamingo Landing Drive, Missouri City, Texas 77459 (US). **ABARCA, John R.** [US/US]; 310 Gale Street, Houston, Texas 77009 (US). **MENDEZ, Luis E.** [US/US]; 15805 Elwood Drive, Houston, Texas 77040 (US).

(22) International Filing Date:
25 June 2010 (25.06.2010)

(25) Filing Language: English

(26) Publication Language: English

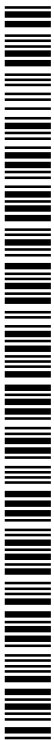
(30) Priority Data:
12/497,076 2 July 2009 (02.07.2009) US

(81) Designated States (unless otherwise indicated, for every kind of national protection available): AE, AG, AL, AM, AO, AT, AU, AZ, BA, BB, BG, BH, BR, BW, BY, BZ, CA, CH, CL, CN, CO, CR, CU, CZ, DE, DK, DM, DO, DZ, EC, EE, EG, ES, FI, GB, GD, GE, GH, GM, GT,

[Continued on next page]

(54) Title: TUBULAR VALVE SYSTEM AND METHOD

(57) Abstract: A tubular valve system includes, a tubular, a primary valve actuatable to control occlusion of at least one port fluidically connecting an inner bore of the tubular with an outside of the tubular, and a contingency valve actuatable to control occlusion of at least one port fluidically connecting the inner bore with the outside of the tubular.



WO 2011/002676 A3

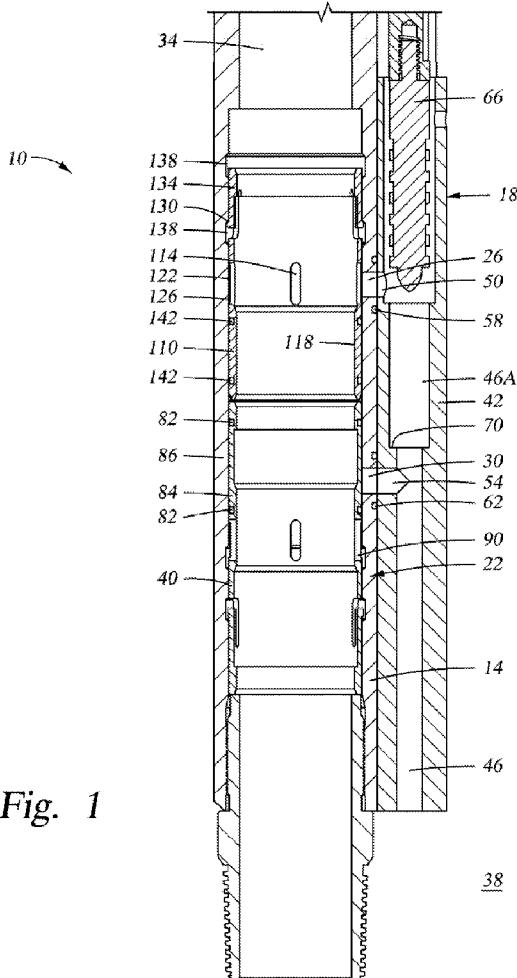


Fig. 1



HN, HR, HU, ID, IL, IN, IS, JP, KE, KG, KM, KN, KP, KR, KZ, LA, LC, LK, LR, LS, LT, LU, LY, MA, MD, ME, MG, MK, MN, MW, MX, MY, MZ, NA, NG, NI, NO, NZ, OM, PE, PG, PH, PL, PT, RO, RS, RU, SC, SD, SE, SG, SK, SL, SM, ST, SV, SY, TH, TJ, TM, TN, TR, TT, TZ, UA, UG, US, UZ, VC, VN, ZA, ZM, ZW.

(84) Designated States (unless otherwise indicated, for every kind of regional protection available): ARIPO (BW, GH, GM, KE, LR, LS, MW, MZ, NA, SD, SL, SZ, TZ, UG, ZM, ZW), Eurasian (AM, AZ, BY, KG, KZ, MD, RU, TJ, TM), European (AL, AT, BE, BG, CH, CY, CZ, DE, DK, EE, ES, FI, FR, GB, GR, HR, HU, IE, IS, IT, LT, LU, LV, MC, MK, MT, NL, NO, PL, PT, RO, SE, SI, SK, SM, TR), OAPI (BF, BJ, CF, CG, CI, CM, GA, GN, GQ, GW, ML, MR, NE, SN, TD, TG).

Declarations under Rule 4.17:

- as to applicant's entitlement to apply for and be granted a patent (Rule 4.17(ii))
- as to the applicant's entitlement to claim the priority of the earlier application (Rule 4.17(iii))

Published:

- with international search report (Art. 21(3))
- before the expiration of the time limit for amending the claims and to be republished in the event of receipt of amendments (Rule 48.2(h))

(88) Date of publication of the international search report:

31 March 2011

A. CLASSIFICATION OF SUBJECT MATTER*F16K 1/32(2006.01)i, F16K 31/00(2006.01)i, E21B 34/06(2006.01)i, F16K 1/12(2006.01)i*

According to International Patent Classification (IPC) or to both national classification and IPC

B. FIELDS SEARCHED

Minimum documentation searched (classification system followed by classification symbols)

F16K 1/32; E21B 33/00; E21B 17/10; E21B 17/18; E21B 43/00; E21B 34/08; E21B 34/10

Documentation searched other than minimum documentation to the extent that such documents are included in the fields searched

Korean utility models and applications for utility models

Japanese utility models and applications for utility models

Electronic data base consulted during the international search (name of data base and, where practicable, search terms used)

eKOMPASS(KIPO internal) & Keywords:tubular valve, fluid port

C. DOCUMENTS CONSIDERED TO BE RELEVANT

Category*	Citation of document, with indication, where appropriate, of the relevant passages	Relevant to claim No.
A	US 4441558 A1 (WELCH; WILLIAM R. et al.) 10 April 1984 See column 2, line 48 - column 4, line 22 and figures 1-4.	1-23
A	US 5018575 A1 (PARSONS; RONALD C.) 28 May 1991 See abstract, column 3 and figure 2.	1-23
A	US 2007-0181312 A1 (KRITZLER JAMES H. et al.) 09 August 2007 See abstract, paragraph 20 and figure 2.	1-23
A	US 3980135 A1 (GARRETT; HENRY U.) 14 September 1976 See abstract, column 4 and figure 2.	1-23

 Further documents are listed in the continuation of Box C. See patent family annex.

* Special categories of cited documents:

"A" document defining the general state of the art which is not considered to be of particular relevance

"E" earlier application or patent but published on or after the international filing date

"L" document which may throw doubts on priority claim(s) or which is cited to establish the publication date of citation or other special reason (as specified)

"O" document referring to an oral disclosure, use, exhibition or other means

"P" document published prior to the international filing date but later than the priority date claimed

"T" later document published after the international filing date or priority date and not in conflict with the application but cited to understand the principle or theory underlying the invention

"X" document of particular relevance; the claimed invention cannot be considered novel or cannot be considered to involve an inventive step when the document is taken alone

"Y" document of particular relevance; the claimed invention cannot be considered to involve an inventive step when the document is combined with one or more other such documents, such combination being obvious to a person skilled in the art

"&" document member of the same patent family

Date of the actual completion of the international search

08 FEBRUARY 2011 (08.02.2011)

Date of mailing of the international search report

08 FEBRUARY 2011 (08.02.2011)

Name and mailing address of the ISA/KR

Korean Intellectual Property Office
Government Complex-Daejeon, 139 Seonsa-ro, Seo-gu, Daejeon 302-701, Republic of Korea

Facsimile No. 82-42-472-7140

Authorized officer

KANG, Min Sug

Telephone No. 82-42-481-5860



INTERNATIONAL SEARCH REPORT

Information on patent family members

International application No.

PCT/US2010/039946

Patent document cited in search report	Publication date	Patent family member(s)	Publication date
US 4441558 A1	10.04.1984	None	
US 5018575 A1	28.05.1991	US 05018575A A	28.05.1991
US 2007-0181312 A1	09.08.2007	US 7360602 B2 WO 2007-089933 A1	22.04.2008 09.08.2007
US 3980135 A1	14.09.1976	None	