

(19) World Intellectual Property Organization
International Bureau



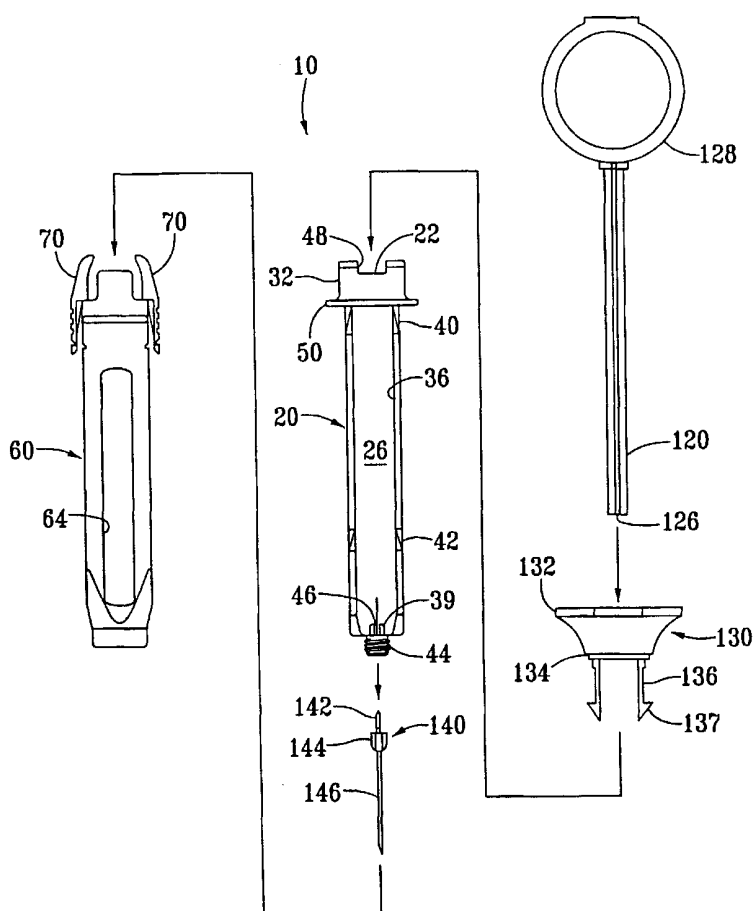
(43) International Publication Date
15 November 2001 (15.11.2001)

PCT

(10) International Publication Number
WO 01/85237 A3

- (51) International Patent Classification⁷: A61M 5/50, 5/32 (74) Agent: ENGLISH, William, A.; Lyon & Lyon LLP, Suite 4700, 633 West Fifth Street, Los Angeles, CA 90071-2066 (US).
- (21) International Application Number: PCT/US01/14252
- (22) International Filing Date: 2 May 2001 (02.05.2001) (81) Designated States (national): CA, JP, MX.
- (25) Filing Language: English (84) Designated States (regional): European patent (AT, BE, CH, CY, DE, DK, ES, FI, FR, GB, GR, IE, IT, LU, MC, NL, PT, SE, TR).
- (26) Publication Language: English
- (30) Priority Data: 09/569,692 11 May 2000 (11.05.2000) US — with international search report
- (71) Applicant: SAFETY SYRINGES, INC. [US/US]; Suite 204, 1925 Palomar Oaks Way, Carlsbad, CA 92008 (US). (88) Date of publication of the international search report: 28 February 2002
- (72) Inventors: GRENFELL, William, W.; 467 Hillbrook Drive, Baldwin, MO 63011 (US). KLAWITTER, Ronald, R.; 3344 Horstman Road, Berger, MO 63014 (US). For two-letter codes and other abbreviations, refer to the "Guidance Notes on Codes and Abbreviations" appearing at the beginning of each regular issue of the PCT Gazette.

(54) Title: ASPIRATING DENTAL SYRINGE WITH NEEDLE SHIELD



(57) Abstract: A self-shielding aspirating dental syringe (10) includes a body (20) having proximal (22) and distal (24) ends and a cavity (26) therein for receiving a medicine cartridge (90). The distal end (24) has a double-ended needle (140) attached thereto, and the proximal end (22) has an opening (34) for inserting the cartridge (90) into the cavity (26), and to which a plunger assembly may be attached. A shield (60) is slidable on the body (20) between retracted and extended positions for uncovering and covering the needle (140), respectively. Cooperating detents (71) and detent pockets (42) are molded on the shield (60) and body (20) for securing the shield (60) in the extended position. A lever (70) is molded on the shield (60) that is pivotable for directing the detents (71) radially outwardly to disengage the detents (71) from the distal detent pockets (42) and allow retraction of the shield (60) from the extended position. A latch (84) is molded on the lever (70) of the shield (60) for locking the lever (70) and preventing subsequent retraction of the shield (60) from the extended position.



WO 01/85237 A3

INTERNATIONAL SEARCH REPORT

International Application No

PCT/US 01/14252

A. CLASSIFICATION OF SUBJECT MATTER
 IPC 7 A61M5/50 A61M5/32

According to International Patent Classification (IPC) or to both national classification and IPC

B. FIELDS SEARCHED

Minimum documentation searched (classification system followed by classification symbols)
 IPC 7 A61M

Documentation searched other than minimum documentation to the extent that such documents are included in the fields searched

Electronic data base consulted during the international search (name of data base and, where practical, search terms used)

EPO-Internal

C. DOCUMENTS CONSIDERED TO BE RELEVANT

Category	Citation of document, with indication, where appropriate, of the relevant passages	Relevant to claim No.
A	EP 0 864 335 A (SAFETY SYRINGES INC) 16 September 1998 (1998-09-16) cited in the application the whole document ---	1, 16, 24
A	US 5 263 942 A (SMEDLEY WILLIAM H ET AL) 23 November 1993 (1993-11-23) column 4, line 15 - line 37 figures 3,4,7,8 ---	1, 16, 24
A	US 4 915 702 A (HABER TERRY) 10 April 1990 (1990-04-10) column 8, line 4 - line 35 figures 7,8 ---	1, 16, 24
	-/--	

Further documents are listed in the continuation of box C.

Patent family members are listed in annex.

° Special categories of cited documents:

- *A* document defining the general state of the art which is not considered to be of particular relevance
- *E* earlier document but published on or after the international filing date
- *L* document which may throw doubts on priority claim(s) or which is cited to establish the publication date of another citation or other special reason (as specified)
- *O* document referring to an oral disclosure, use, exhibition or other means
- *P* document published prior to the international filing date but later than the priority date claimed

- *T* later document published after the international filing date or priority date and not in conflict with the application but cited to understand the principle or theory underlying the invention
- *X* document of particular relevance; the claimed invention cannot be considered novel or cannot be considered to involve an inventive step when the document is taken alone
- *Y* document of particular relevance; the claimed invention cannot be considered to involve an inventive step when the document is combined with one or more other such documents, such combination being obvious to a person skilled in the art.
- *&* document member of the same patent family

Date of the actual completion of the international search

22 November 2001

Date of mailing of the international search report

28/11/2001

Name and mailing address of the ISA

European Patent Office, P.B. 5818 Patentlaan 2
 NL - 2280 HV Rijswijk
 Tel. (+31-70) 340-2040, Tx. 31 651 epo nl,
 Fax: (+31-70) 340-3016

Authorized officer

Sedy, R

INTERNATIONAL SEARCH REPORT

International Application No

PCT/US 01/14252

C.(Continuation) DOCUMENTS CONSIDERED TO BE RELEVANT		
Category *	Citation of document, with indication, where appropriate, of the relevant passages	Relevant to claim No.
A	<p>US 6 004 296 A (IMBERT CLAUDE ET AL) 21 December 1999 (1999-12-21) column 8, line 14 - line 34 figures 5-8</p> <p style="text-align: center;">-----</p>	1,16,24

INTERNATIONAL SEARCH REPORT

Information on patent family members

International Application No

PCT/US 01/14252

Patent document cited in search report	A	Publication date	Patent family member(s)	Publication date
EP 0864335	A	16-09-1998	US 6171283 B1	09-01-2001
			CA 2231417 A1	10-09-1998
			EP 0864335 A2	16-09-1998
			JP 10248931 A	22-09-1998
			US 6159184 A	12-12-2000
US 5263942	A	23-11-1993	AU 1741992 A	02-11-1992
			CA 2106577 A1	09-10-1992
			EP 0579735 A1	26-01-1994
			JP 7507215 T	10-08-1995
			WO 9217230 A1	15-10-1992
US 4915702	A	10-04-1990	US 4758231 A	19-07-1988
			AT 81787 T	15-11-1992
			BR 8802014 A	29-11-1988
			CA 1308321 A1	06-10-1992
			DE 3875516 D1	03-12-1992
			DE 3875516 T2	19-05-1993
			DK 226988 A	28-10-1988
			EP 0288879 A2	02-11-1988
			JP 2796805 B2	10-09-1998
			JP 63317160 A	26-12-1988
			MX 165984 B	15-12-1992
			NZ 224372 A	29-01-1991
			US 4790827 A	13-12-1988
			US 4892523 A	09-01-1990
			US RE33585 E	07-05-1991
ZA 8802903 A	25-01-1989			
US 6004296	A	21-12-1999	AU 9573998 A	23-04-1999
			EP 0941134 A1	15-09-1999
			JP 2000514703 T	07-11-2000
			WO 9916489 A1	08-04-1999
			US 6193696 B1	27-02-2001
			US 2001004685 A1	21-06-2001