



US00D757307S

(12) **United States Design Patent**
Wallach

(10) **Patent No.:** **US D757,307 S**

(45) **Date of Patent:** **** May 24, 2016**

(54) **LAMP**

(71) Applicant: **Stewart Wallach**, Deerfield Beach, FL
(US)

(72) Inventor: **Stewart Wallach**, Deerfield Beach, FL
(US)

(**) Term: **14 Years**

(21) Appl. No.: **29/510,093**

(22) Filed: **Nov. 25, 2014**

(51) **LOC (10) Cl.** **26-03**

(52) **U.S. Cl.**
USPC **D26/24**

(58) **Field of Classification Search**
USPC D26/24, 27, 37, 93, 94, 96, 104, 106,
D26/110, 112

CPC F21S 6/00; F21S 6/002; F21S 6/004;
F21S 10/00; F21W 2121/00; F21W 2131/10;
F21W 2131/30; F21W 2121/308; F21V 21/02;
F21V 21/08; F21V 2200/00

See application file for complete search history.

(56) **References Cited**

U.S. PATENT DOCUMENTS

D100,074 S *	6/1936	Graubner	D26/40
D384,181 S *	9/1997	Borden	D26/110
D646,004 S *	9/2011	VanderSchuit	D26/24
D690,843 S *	10/2013	Feigenbaum	D26/24
D720,090 S *	12/2014	Toomey	D26/24
D730,546 S *	5/2015	Baum	D26/1
D742,041 S *	10/2015	Garcia	D26/110

* cited by examiner

Primary Examiner — Brian N Vinson

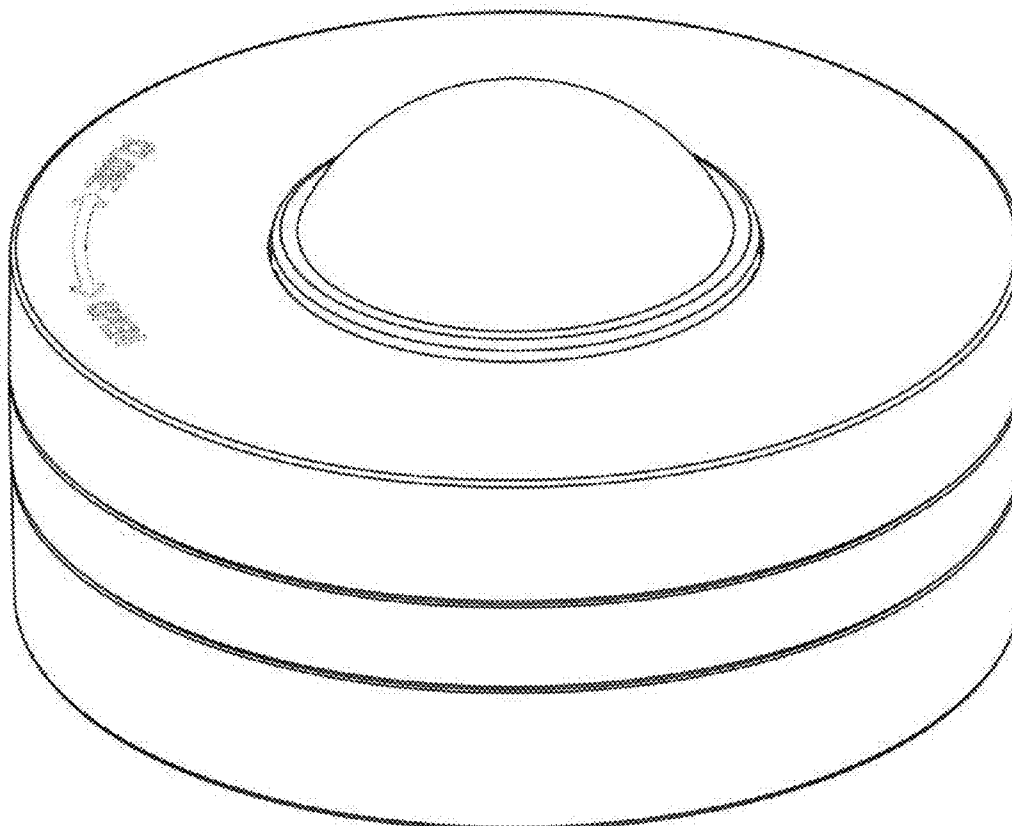
(57) **CLAIM**

I claim the ornamental design for a lamp, as shown and described.

DESCRIPTION

FIG. 1 is a front view of the lamp;
FIG. 2 is a left side view thereof;
FIG. 3 is a top view thereof;
FIG. 4 is a bottom view thereof; and,
FIG. 5 is general perspective view thereof.

1 Claim, 5 Drawing Sheets



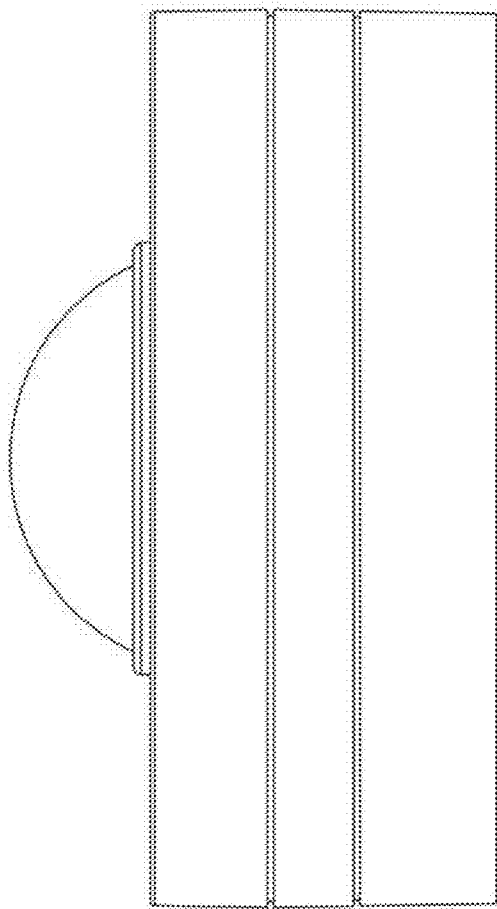


FIG. 1

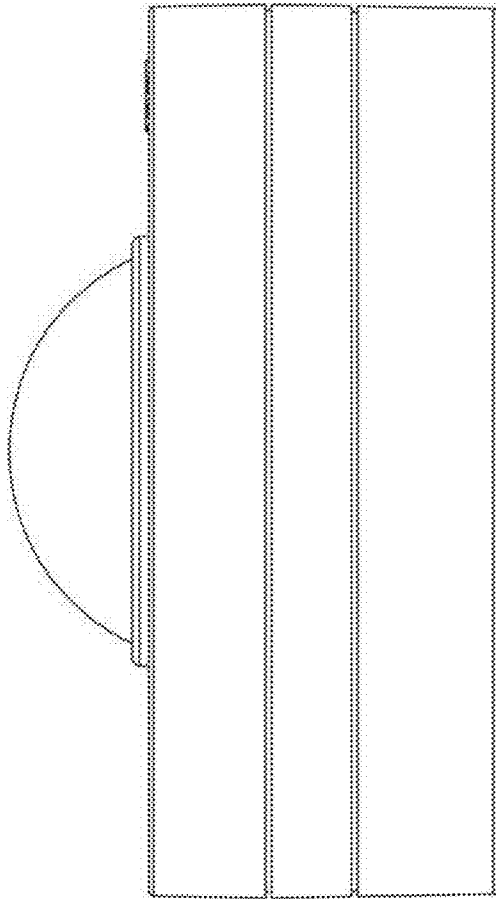


FIG. 2

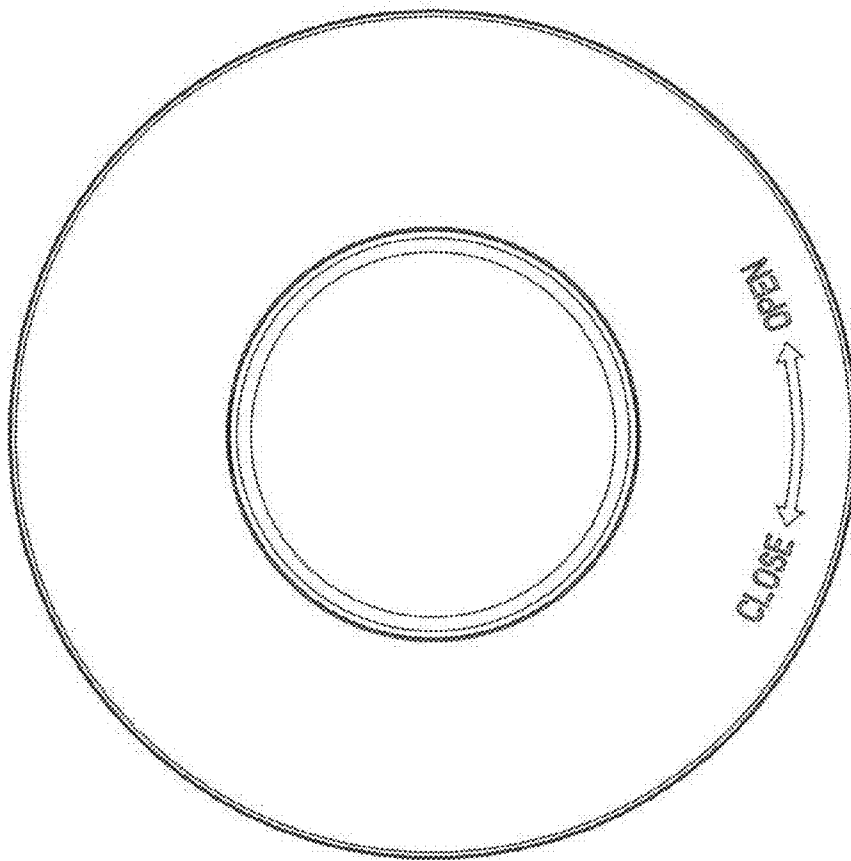


FIG. 3

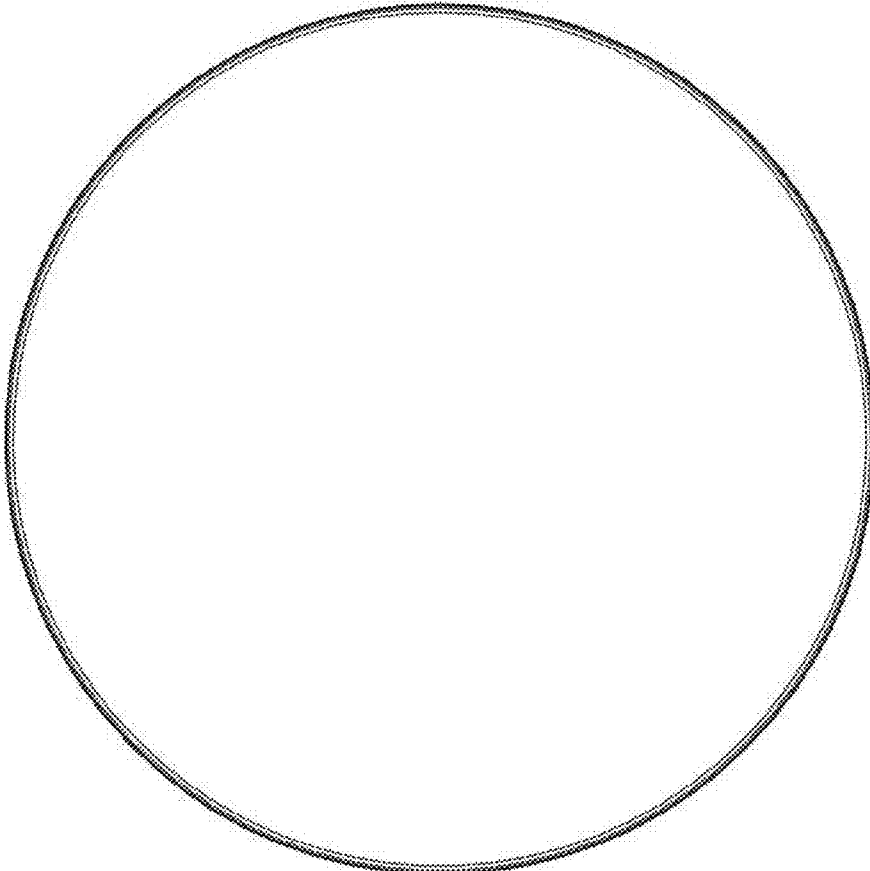


FIG. 4

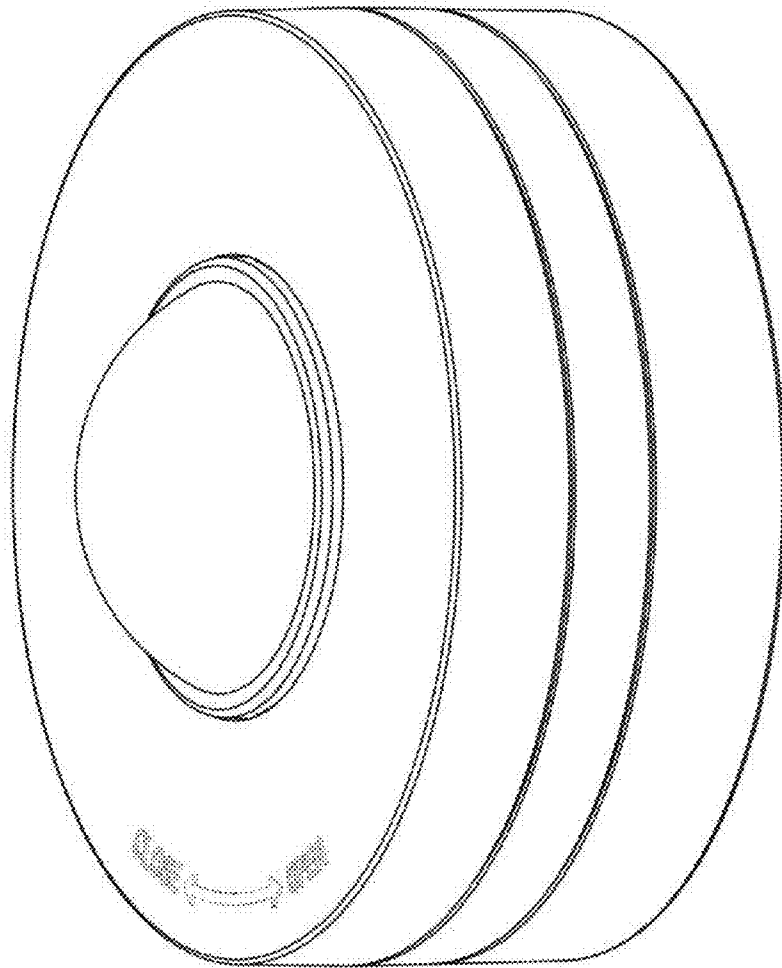


FIG. 5