



US00D682986S

(12) **United States Design Patent**  
**Grether**

(10) **Patent No.:** **US D682,986 S**

(45) **Date of Patent:** **\*\* May 21, 2013**

(54) **DYNAMIC DIFFUSOR**

(56) **References Cited**

(75) Inventor: **Hermann Grether**, Mullheim (DE)

(73) Assignee: **Neoperl GmbH**, Mullheim (DE)

(\*\*) Term: **14 Years**

(21) Appl. No.: **29/386,785**

(22) Filed: **Mar. 4, 2011**

(30) **Foreign Application Priority Data**

Oct. 21, 2010 (EM) ..... 001240972-01/06

(51) **LOC (9) Cl.** ..... **23-01**

(52) **U.S. Cl.**

USPC ..... **D23/213**

(58) **Field of Classification Search** ..... D23/213,  
D23/249; 239/428.5, 437; 261/DIG. 22

See application file for complete search history.

U.S. PATENT DOCUMENTS  
D536,417 S \* 2/2007 Buttgen ..... D23/213  
D537,916 S \* 3/2007 Buttgen ..... D23/213  
D577,416 S \* 9/2008 Buttgen ..... D23/213

\* cited by examiner

*Primary Examiner* — Robin V Webster

(74) *Attorney, Agent, or Firm* — Volpe and Koenig, P.C.

(57) **CLAIM**

The design for a dynamic diffusor, as shown and described.

**DESCRIPTION**

FIG. 1 is a top plan view of a dynamic diffusor in accordance with my design;

FIG. 2 is a top, front perspective view thereof;

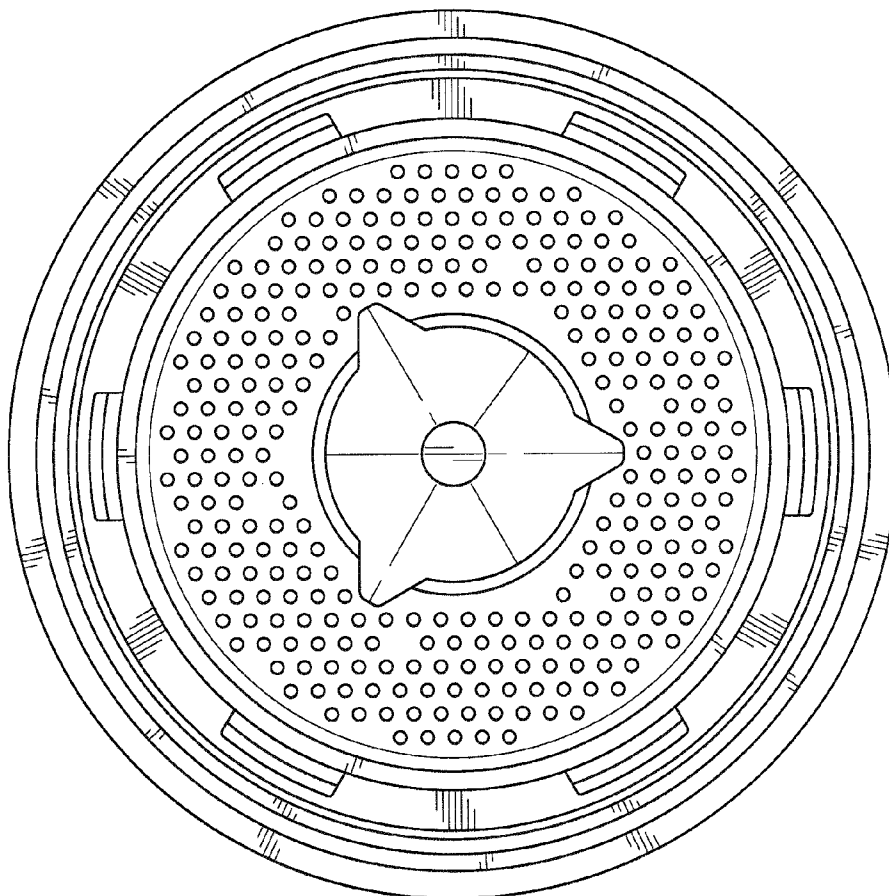
FIG. 3 is a bottom plan view thereof;

FIG. 4 is a bottom, rear perspective view thereof;

FIG. 5 is an elevational view thereof; and,

FIG. 6 is a cross-sectional view taken through FIG. 5 which shows the depth of the outer contours of the design.

**1 Claim, 6 Drawing Sheets**



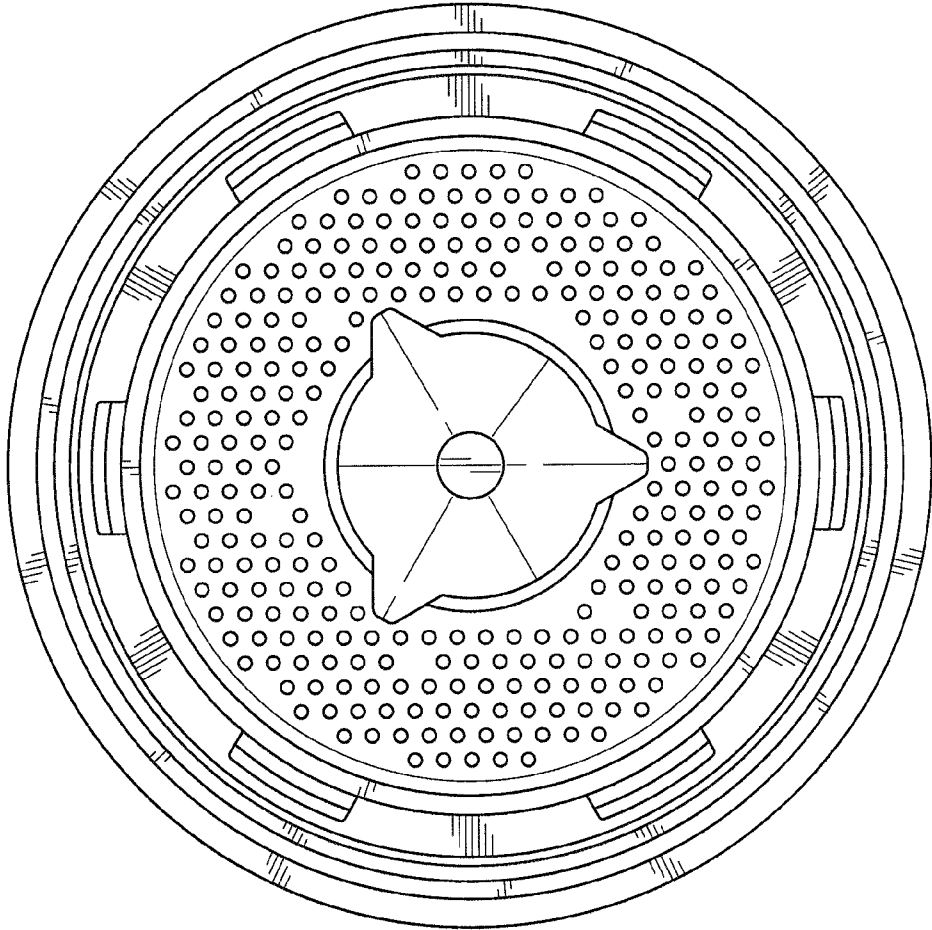


Fig. 1

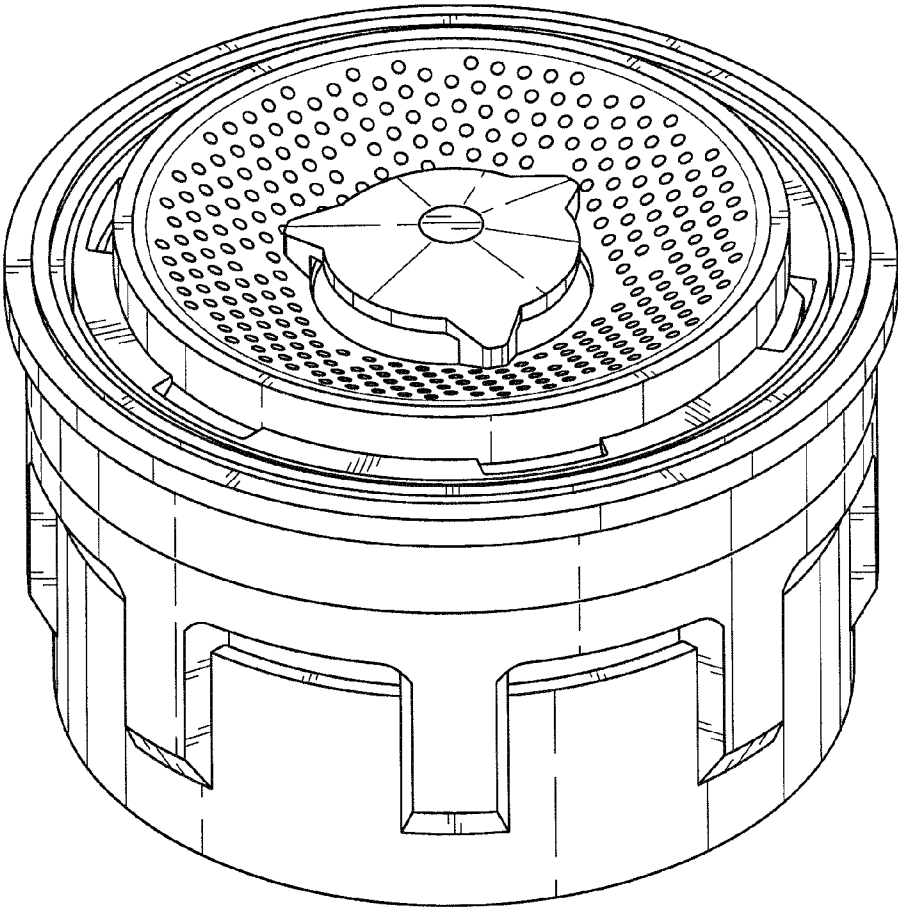


Fig. 2

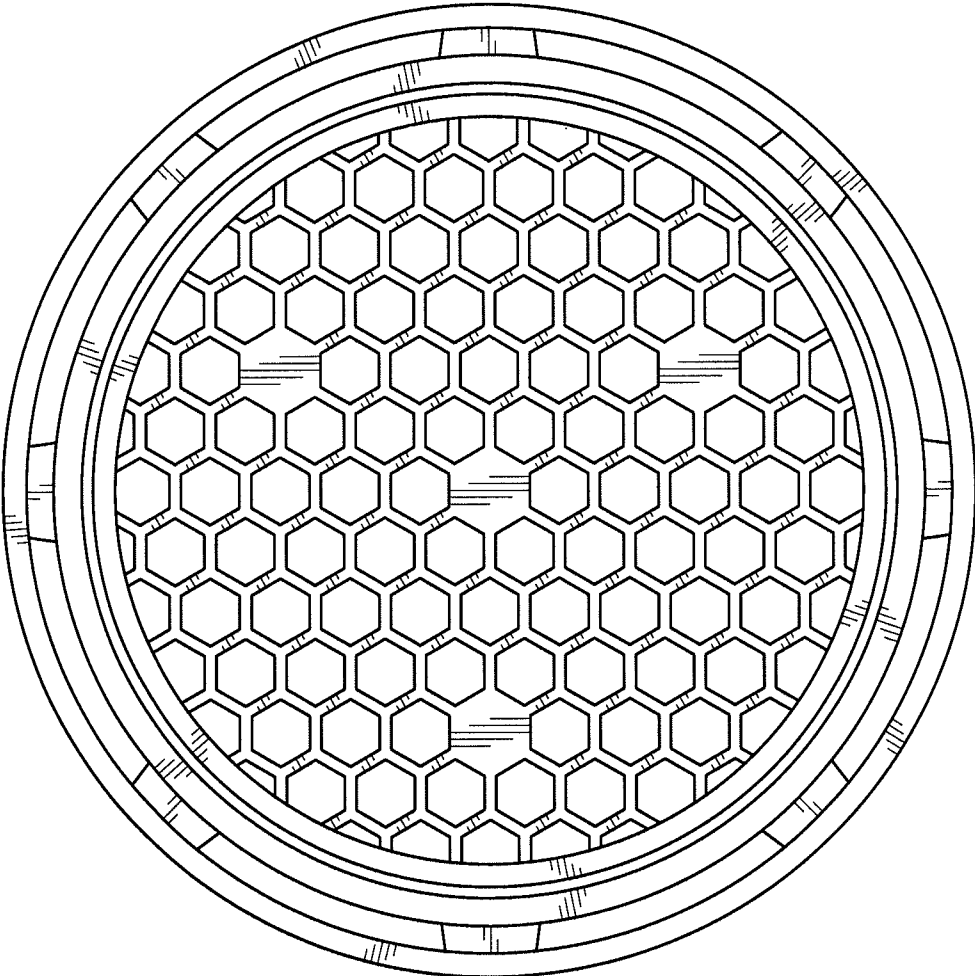


Fig. 3

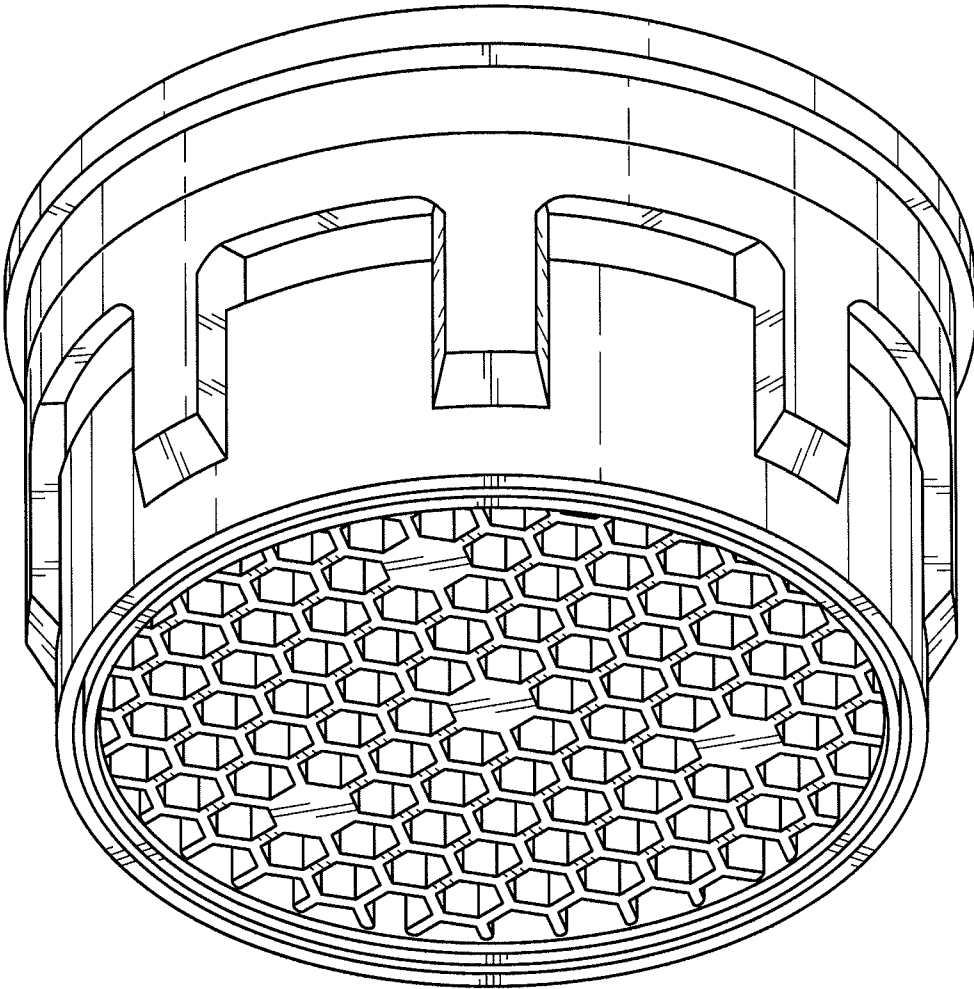
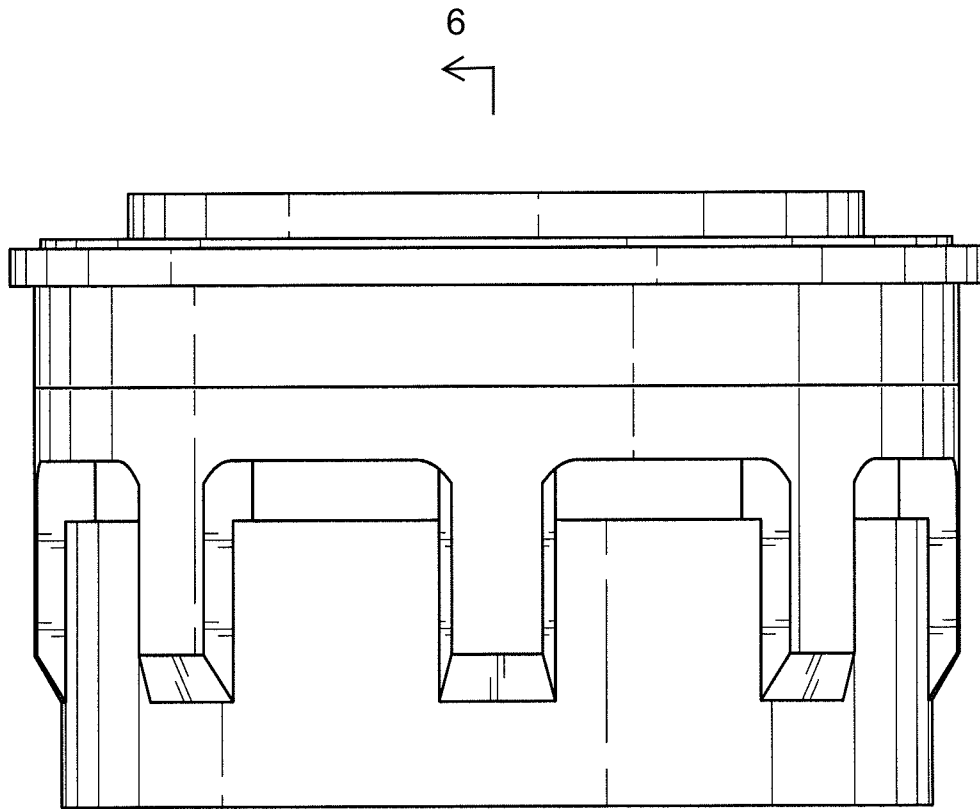


Fig. 4



6  
←

←  
6

**Fig. 5**

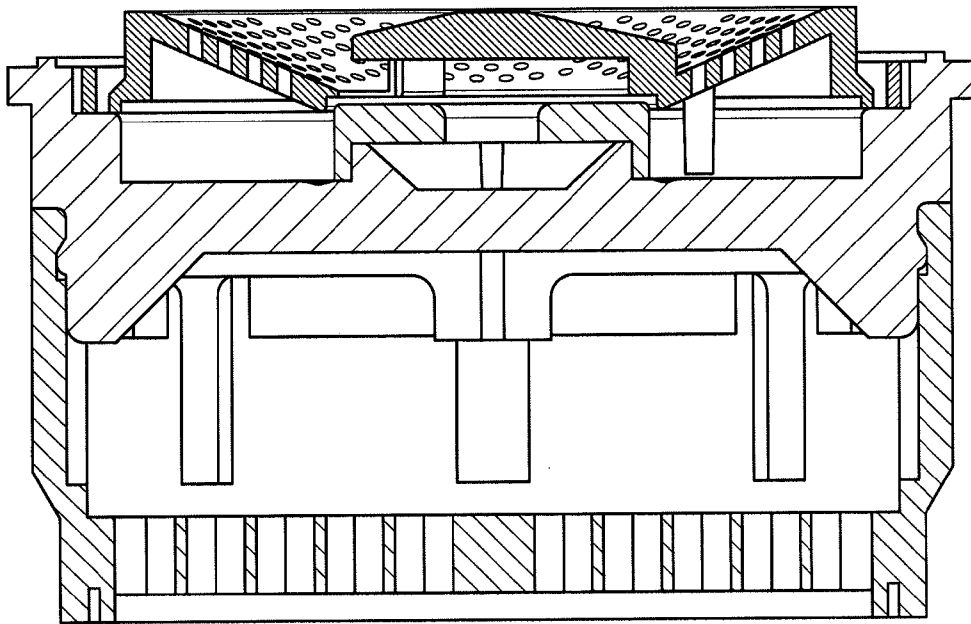


Fig. 6