



US00D717258S

(12) **United States Design Patent**
Garra et al.

(10) **Patent No.:** **US D717,258 S**

(45) **Date of Patent:** **** Nov. 11, 2014**

(54) **PORTABLE RADIO**

(71) Applicant: **Motorola Solutions, Inc.**, Schaumburg, IL (US)

(72) Inventors: **LanTing L. Garra**, Sunrise, FL (US);
Frank Garcia, Miami, FL (US);
Gregory T. Hoo, Weston, FL (US)

(73) Assignee: **Motorola Solutions, Inc.**

(**) Term: **14 Years**

(21) Appl. No.: **29/444,958**

(22) Filed: **Feb. 6, 2013**

(51) **LOC (10) Cl.** **14-03**

(52) **U.S. Cl.**
USPC **D14/137**

(58) **Field of Classification Search**
CPC H04B 1/00; H04B 1/38; H04B 1/3805;
H04B 1/3816; H04B 1/3822; H04B 1/3827;
H04B 1/3833
USPC D14/137, 139, 138 R, 138 C, 138 AD,
D14/138 AC, 138 G, 341-347; 361/814;
455/90.1-90.3

See application file for complete search history.

(56) **References Cited**

U.S. PATENT DOCUMENTS

D384,345 S * 9/1997 Lindeman et al. D14/137
5,752,205 A * 5/1998 Dzung et al. 455/575.1
D477,816 S * 7/2003 Yahaya et al. D14/137
D576,124 S * 9/2008 Nishizawa D14/137
D576,125 S * 9/2008 Nishizawa D14/137
D576,980 S * 9/2008 Onoue D14/137

D577,700 S * 9/2008 Akita D14/137
D598,876 S * 8/2009 Leng et al. D14/137
D600,225 S * 9/2009 Woon D14/137
D616,845 S * 6/2010 Xia et al. D14/137
D653,225 S * 1/2012 Yong et al. D14/137
D653,637 S * 2/2012 Ismail et al. D14/137
D670,258 S * 11/2012 Yamamoto et al. D14/137

OTHER PUBLICATIONS

Tekk X-1000, [online], [retrieved on Mar. 20, 2009]. Retrieved from Internet ,<URL: <http://www.fastradios.com>>.*
Motorola CP185, [online], [retrieved on Mar. 20, 2009]. Retrieved from Internet ,<URL: <http://www.talktway.com>>.*
Motorola CP110, [online], [retrieved on Mar. 20, 2009]. Retrieved from Internet ,<URL: <http://www.talktway.com>>.*

* cited by examiner

Primary Examiner — Bridget L Eland

(74) *Attorney, Agent, or Firm* — Barbara R. Doutre

(57) **CLAIM**

The ornamental design for a portable radio, as shown and described.

DESCRIPTION

FIG. 1 is a front perspective view of an ornamental design for a portable radio;

FIG. 2 is a rear perspective view thereof;

FIG. 3 is a front view thereof;

FIG. 4 is a rear view thereof;

FIG. 5 is a first side view thereof;

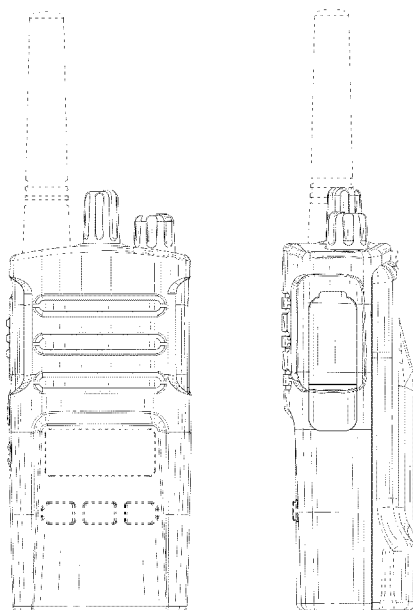
FIG. 6 is a second side view thereof;

FIG. 7 is a top view thereof; and,

FIG. 8 is a bottom view thereof.

The broken lines shown in FIGS. 1-8 are included for the purpose of illustrating environmental elements only and form no part of the claimed design.

1 Claim, 6 Drawing Sheets



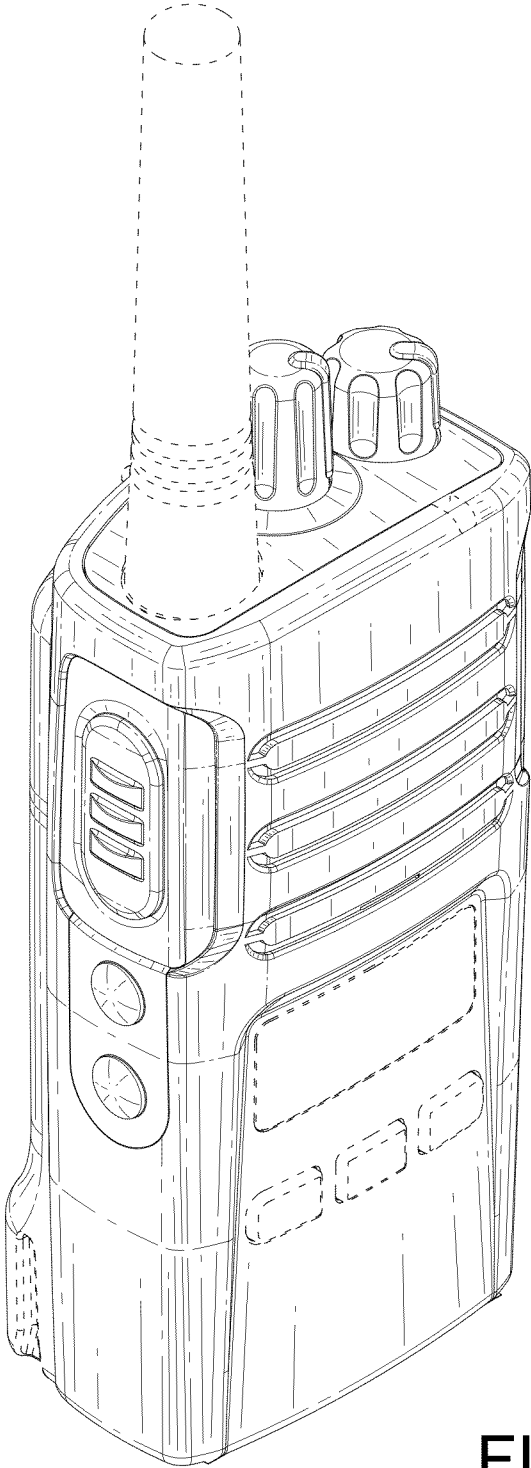


FIG. 1

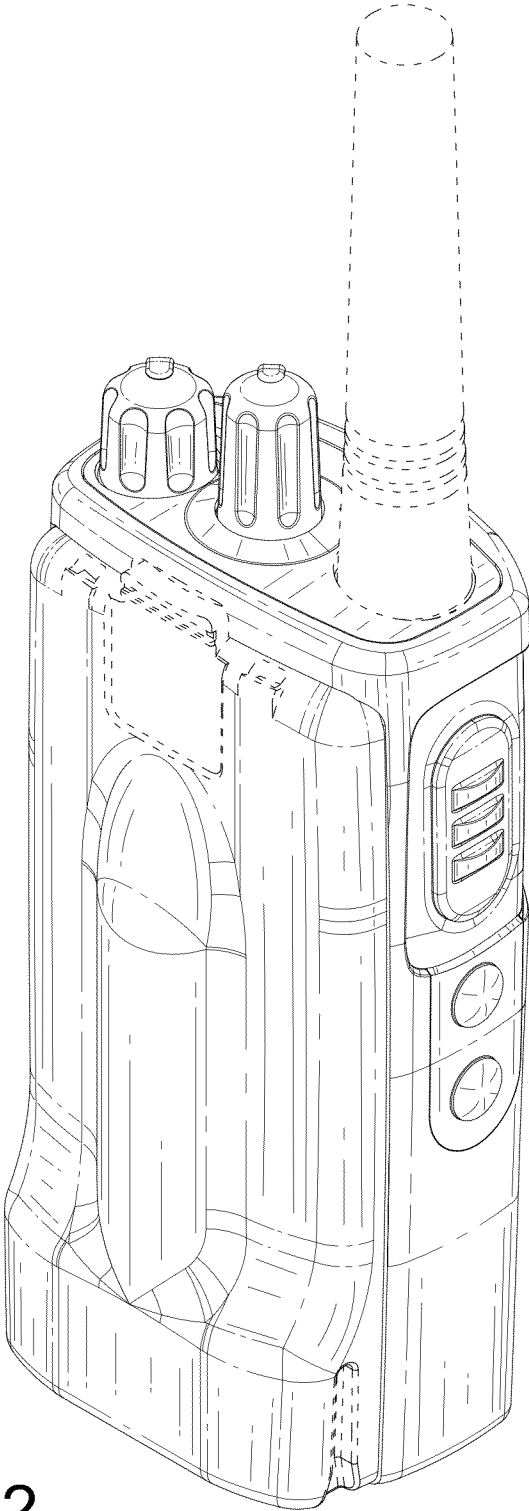


FIG. 2

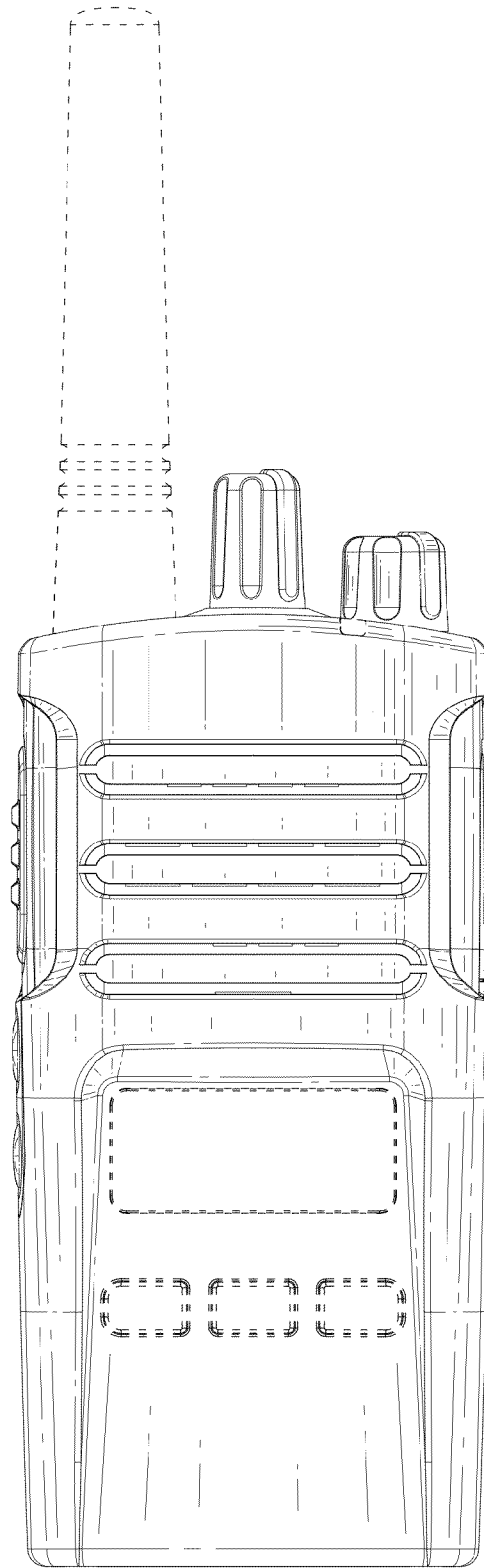


FIG. 3

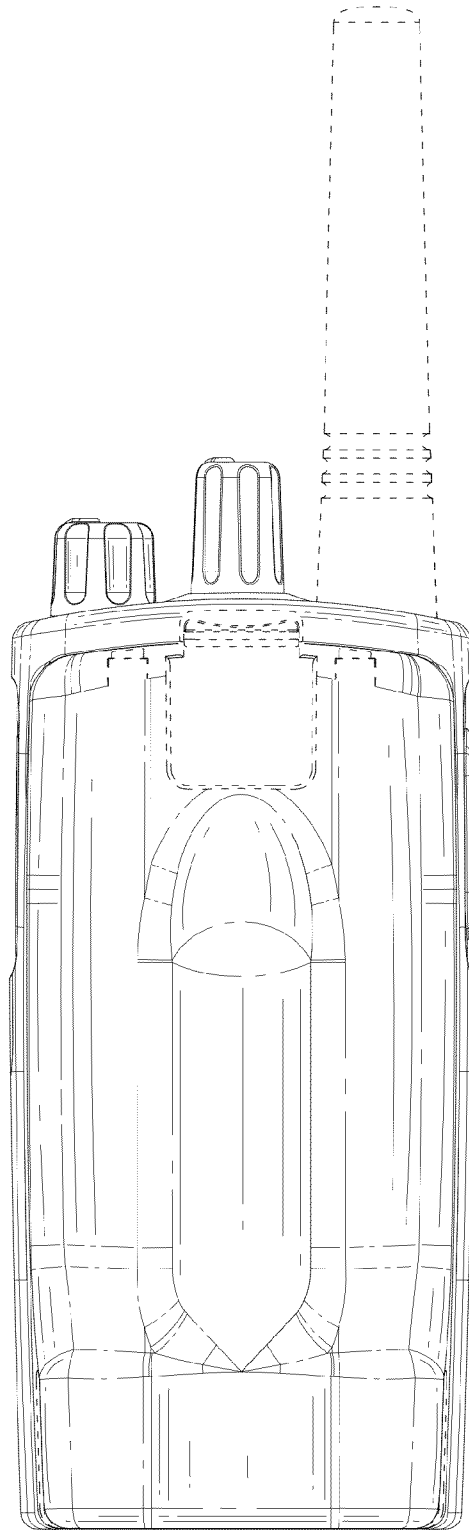


FIG. 4

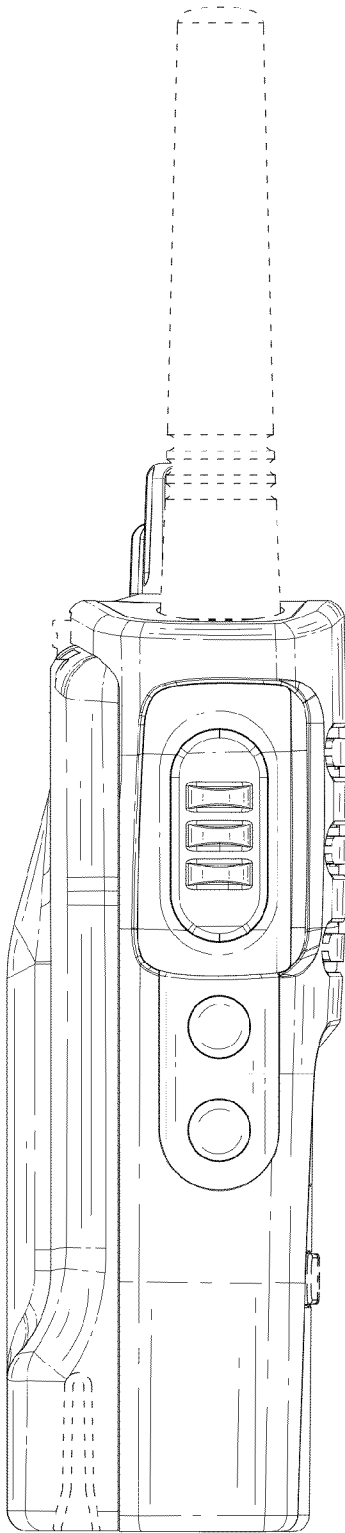


FIG. 5

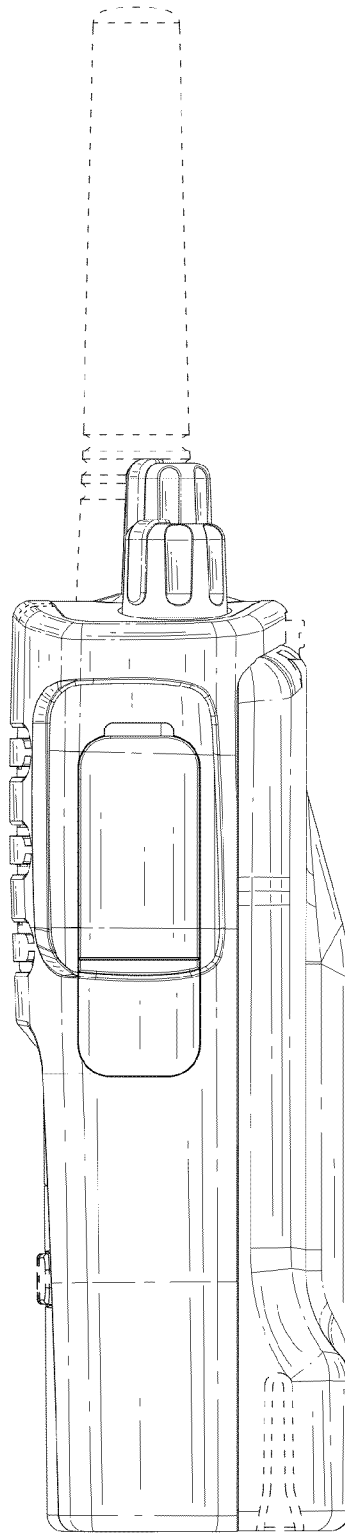


FIG. 6

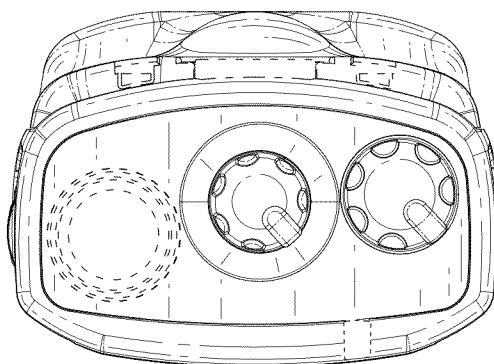


FIG. 7

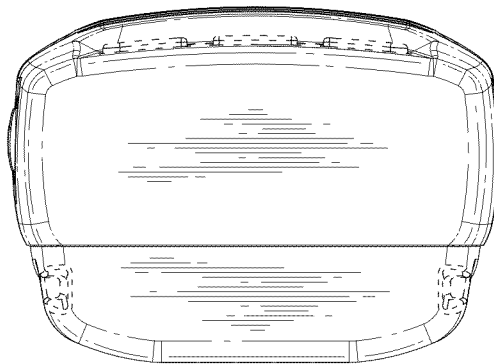


FIG. 8