

(19) World Intellectual Property
Organization
International Bureau



(43) International Publication Date
24 July 2003 (24.07.2003)

PCT

(10) International Publication Number
WO 2003/059204 A3

(51) International Patent Classification⁷: A61F 2/01

(21) International Application Number:
PCT/US2003/000091

(22) International Filing Date: 2 January 2003 (02.01.2003)

(25) Filing Language: English

(26) Publication Language: English

(30) Priority Data:
10/044,354 10 January 2002 (10.01.2002) US

(71) Applicant: BOSTON SCIENTIFIC LIMITED [IE/BB];
The Corporate Centre, Bush Hill, Bay Street, St. Michael,
Barbados, West Indies (BB).

(72) Inventor: UNGS, Mark, T.; 4671 Woodridge Road, Min-
netonka, MN 55345 (US).

(74) Agents: SEAGER, Glenn, M. et al.; Crompton, Seager &
Tuft, LLC, sUITE 800, 1221 Nicollet Avenue, Minneapo-
lis, MN 55403-2420 (US).

(81) Designated States (national): AE, AG, AL, AM, AT, AU,
AZ, BA, BB, BG, BR, BY, BZ, CA, CH, CN, CO, CR, CU,
CZ, DE, DK, DM, DZ, EC, EE, ES, FI, GB, GD, GE, GH,
GM, HR, HU, ID, IL, IN, IS, JP, KE, KG, KP, KR, KZ, LC,
LK, LR, LS, LT, LU, LV, MA, MD, MG, MK, MN, MW,
MX, MZ, NO, NZ, OM, PH, PL, PT, RO, RU, SD, SE, SG,
SK, SL, TJ, TM, TN, TR, TT, TZ, UA, UG, UZ, VN, YU,
ZA, ZM, ZW.

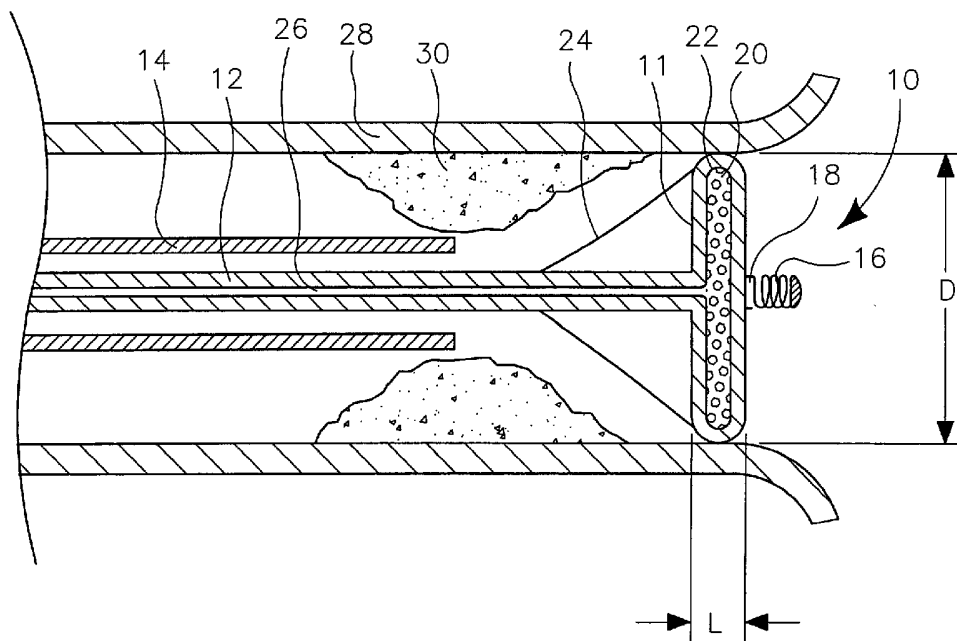
(84) Designated States (regional): ARIPO patent (GH, GM,
KE, LS, MW, MZ, SD, SL, SZ, TZ, UG, ZM, ZW),
Eurasian patent (AM, AZ, BY, KG, KZ, MD, RU, TJ, TM),
European patent (AT, BE, BG, CH, CY, CZ, DE, DK, EE,
ES, FI, FR, GB, GR, HU, IE, IT, LU, MC, NL, PT, SE, SI,
SK, TR), OAPI patent (BF, BJ, CF, CG, CI, CM, GA, GN,
GQ, GW, ML, MR, NE, SN, TD, TG).

Published:
— with international search report

(88) Date of publication of the international search report:
14 October 2004

For two-letter codes and other abbreviations, refer to the "Guid-
ance Notes on Codes and Abbreviations" appearing at the begin-
ning of each regular issue of the PCT Gazette.

(54) Title: DISC SHAPED FILTER



(57) Abstract: Distal protection filter and method of using the same. A distal protection filter may be coupled to an elongate shaft. The filter includes a filter material coupled to a filter frame. The shape of the filter may be generally cylindrical or disc shaped. The filter material may capture embolic debris generated during an intravascular intervention.

WO 2003/059204 A3

INTERNATIONAL SEARCH REPORT

International Application No
PCT/US03/00091

A. CLASSIFICATION OF SUBJECT MATTER
IPC 7 A61F2/01

According to International Patent Classification (IPC) or to both national classification and IPC

B. FIELDS SEARCHED

Minimum documentation searched (classification system followed by classification symbols)
IPC 7 A61F

Documentation searched other than minimum documentation to the extent that such documents are included in the fields searched

Electronic data base consulted during the international search (name of data base and, where practical, search terms used)
EPO-Internal

C. DOCUMENTS CONSIDERED TO BE RELEVANT

Category °	Citation of document, with indication, where appropriate, of the relevant passages	Relevant to claim No.
X	US 2001/044634 A1 (DON MICHAEL ET AL.) 22 November 2001 (2001-11-22)	1,2,9,10
Y	the whole document	3,11-13, 19,20
X	WO 01 35857 A (SCIMED LIFE SYSTEMS, INC.) 25 May 2001 (2001-05-25)	26,27
Y	abstract; figures page 7, line 20 -page 8, line 4 claims 135,136	3,11-13, 19,20
A	WO 01 91844 A (COURTNEY ET AL.) 6 December 2001 (2001-12-06)	

Further documents are listed in the continuation of box C.

Patent family members are listed in annex.

° Special categories of cited documents :

- *A* document defining the general state of the art which is not considered to be of particular relevance
- *E* earlier document but published on or after the international filing date
- *L* document which may throw doubts on priority claim(s) or which is cited to establish the publication date of another citation or other special reason (as specified)
- *O* document referring to an oral disclosure, use, exhibition or other means
- *P* document published prior to the international filing date but later than the priority date claimed

- *T* later document published after the international filing date or priority date and not in conflict with the application but cited to understand the principle or theory underlying the invention
- *X* document of particular relevance; the claimed invention cannot be considered novel or cannot be considered to involve an inventive step when the document is taken alone
- *Y* document of particular relevance; the claimed invention cannot be considered to involve an inventive step when the document is combined with one or more other such documents, such combination being obvious to a person skilled in the art.
- *Z* document member of the same patent family

Date of the actual completion of the international search

Date of mailing of the international search report

1 August 2003

08/08/2003

Name and mailing address of the ISA

European Patent Office, P.B. 5818 Patentlaan 2
NL - 2280 HV Rijswijk
Tel. (+31-70) 340-2040, Tx. 31 651 epo nl,
Fax: (+31-70) 340-3016

Authorized officer

Smith, C

INTERNATIONAL SEARCH REPORT

Inter application No.
PCT/US 03/00091

Box I Observations where certain claims were found unsearchable (Continuation of item 1 of first sheet)

This International Search Report has not been established in respect of certain claims under Article 17(2)(a) for the following reasons:

1. Claims Nos.: 21-25, 28, 29
because they relate to subject matter not required to be searched by this Authority, namely:
Rule 39.1(iv) PCT - Method for treatment of the human or animal body by surgery
2. Claims Nos.:
because they relate to parts of the International Application that do not comply with the prescribed requirements to such an extent that no meaningful International Search can be carried out, specifically:
3. Claims Nos.:
because they are dependent claims and are not drafted in accordance with the second and third sentences of Rule 6.4(a).

Box II Observations where unity of invention is lacking (Continuation of item 2 of first sheet)

This International Searching Authority found multiple inventions in this international application, as follows:

1. As all required additional search fees were timely paid by the applicant, this International Search Report covers all searchable claims.
2. As all searchable claims could be searched without effort justifying an additional fee, this Authority did not invite payment of any additional fee.
3. As only some of the required additional search fees were timely paid by the applicant, this International Search Report covers only those claims for which fees were paid, specifically claims Nos.:
4. No required additional search fees were timely paid by the applicant. Consequently, this International Search Report is restricted to the invention first mentioned in the claims; it is covered by claims Nos.:

Remark on Protest

- The additional search fees were accompanied by the applicant's protest.
- No protest accompanied the payment of additional search fees.

INTERNATIONAL SEARCH REPORT

In connection with patent family members

International Application No

PCT/US 03/00091

Patent document cited in search report		Publication date	Patent family member(s)	Publication date
US 2001044634	A1	22-11-2001	AU 4915301 A EP 1253871 A2 WO 0167989 A2	24-09-2001 06-11-2002 20-09-2001
WO 0135857	A	25-05-2001	CA 2358706 A1 DE 20022465 U1 EP 1139912 A1 JP 2003513745 T WO 0135857 A1 US 2002183782 A1 US 2002095174 A1 US 6371971 B1	25-05-2001 25-10-2001 10-10-2001 15-04-2003 25-05-2001 05-12-2002 18-07-2002 16-04-2002
WO 0191844	A	06-12-2001	AU 7510001 A CA 2410971 A1 EP 1289596 A1 WO 0191844 A1 US 2002016564 A1	11-12-2001 06-12-2001 12-03-2003 06-12-2001 07-02-2002