

US00D434057S

United States Patent [19]

[11] **Patent Number: Des. 434,057**

Whitby et al.

[45] **Date of Patent: ** Nov. 21, 2000**

[54] **DIGITAL CAMERA**

[57] **CLAIM**

[75] Inventors: **Laura R. Whitby; Jason M. Avery,**
both of Rochester, N.Y.

We claim the ornamental design for a digital camera, as shown and described.

[73] Assignee: **Eastman Kodak Company,** Rochester, N.Y.

DESCRIPTION

[**] Term: **14 Years**

FIG. 1 is a front, top, right-side perspective view of a digital camera according to the present invention;

[21] Appl. No.: **29/118,537**

FIG. 2 is a back, bottom, left-side perspective view thereof;

[22] Filed: **Feb. 9, 2000**

FIG. 3 is a front view thereof;

[51] **LOC (7) Cl. 16-01**

FIG. 4 is a rear view thereof;

[52] **U.S. Cl. D16/202; D16/203**

FIG. 5 is a top view thereof;

[58] **Field of Search D16/200-205,**
D16/208; 348/14-20, 373-376; 358/906,
909.1; 396/14, 17, 433, 535-541

FIG. 6 is a bottom view thereof;

FIG. 7 is a right-side view thereof;

FIG. 8 is a left-side view thereof;

FIG. 9 is a front, top, right-side perspective view thereof, showing a camera base in broken lines;

[56] **References Cited**

U.S. PATENT DOCUMENTS

D. 359,499	6/1995	Gower et al.	D16/202
D. 363,730	10/1995	Flohr et al.	D16/202
D. 367,488	2/1996	Takano et al.	D16/202
D. 388,804	1/1998	Swayze et al.	D16/202
D. 418,853	1/2000	Kubota	D16/203
4,219,013	8/1980	Okada	396/17

FIG. 10 is a back, bottom, left-side perspective view thereof, showing a camera base in broken lines;

FIG. 11 is a right-side view thereof with the digital camera in the first alternate position and showing a camera base broken lines; and,

FIG. 12 is a right-side view thereof with the digital camera in the second alternate position and showing a camera base broken lines.

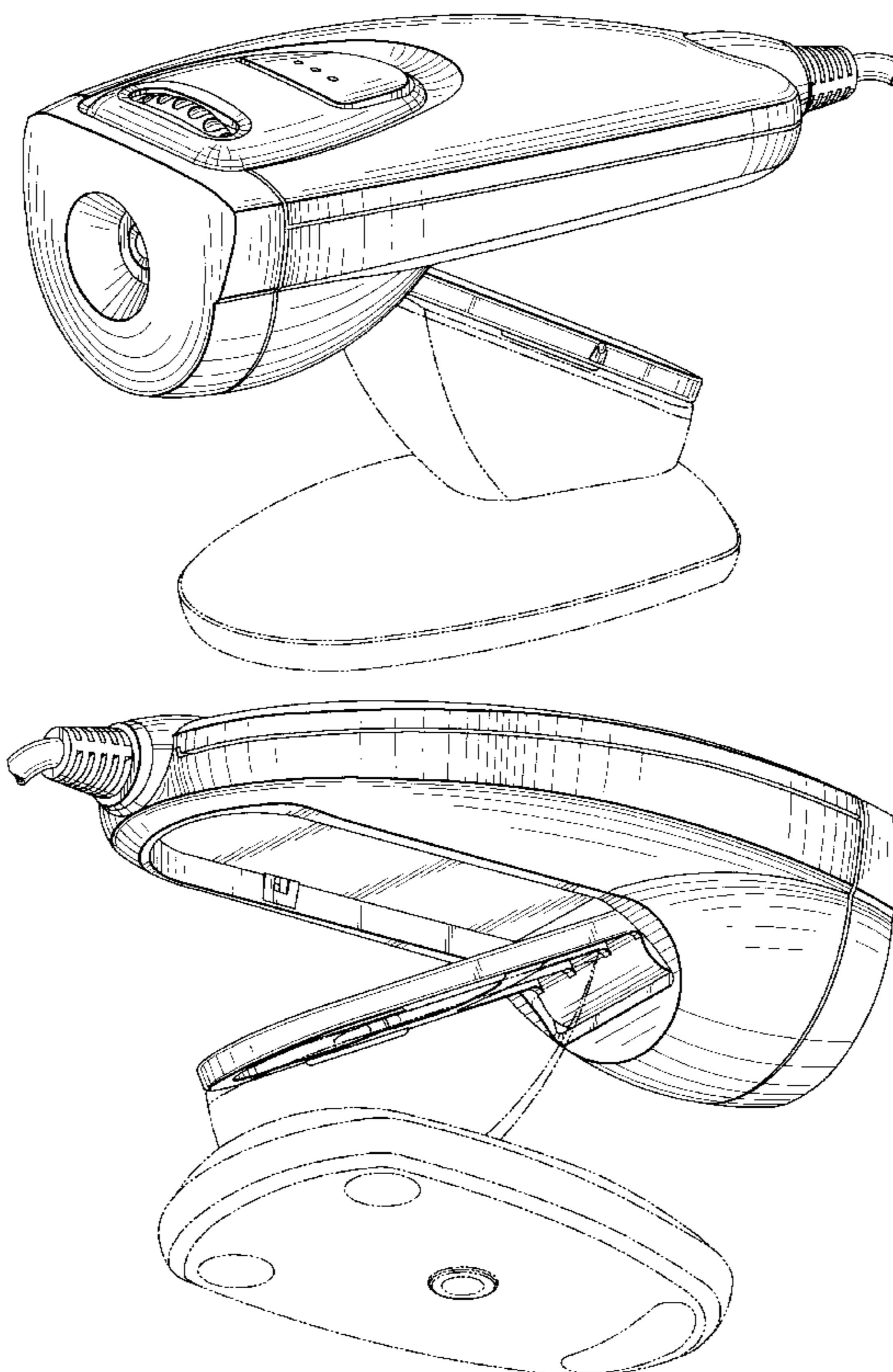
OTHER PUBLICATIONS

Vivitar Digital Imaging, Mar. 1998 (ViviCam).

The broken line showing of the camera base in FIGS. 9-12 is for illustrative purposes only and forms no part of the claimed design.

Primary Examiner—Adir Aronovich
Attorney, Agent, or Firm—Pamela R. Crocker

1 Claim, 11 Drawing Sheets



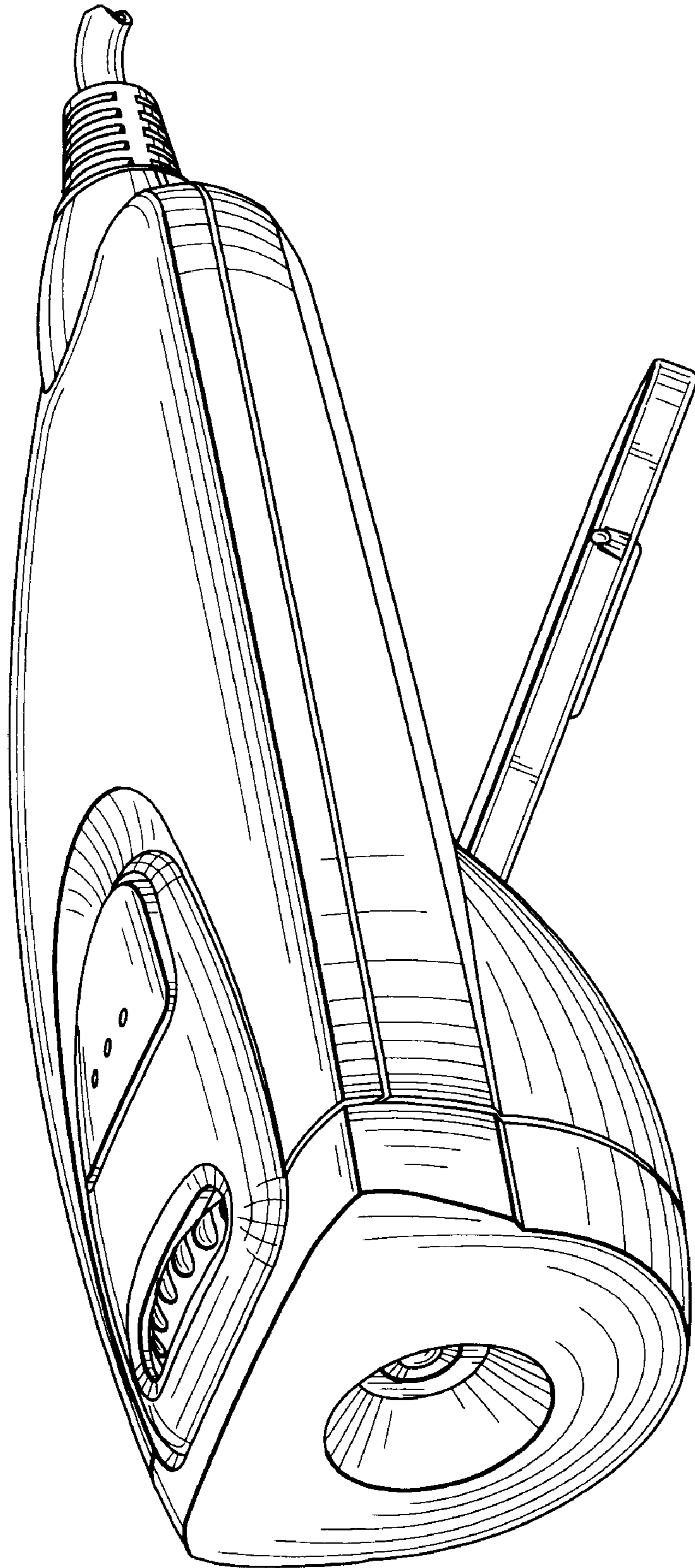


FIG. 1

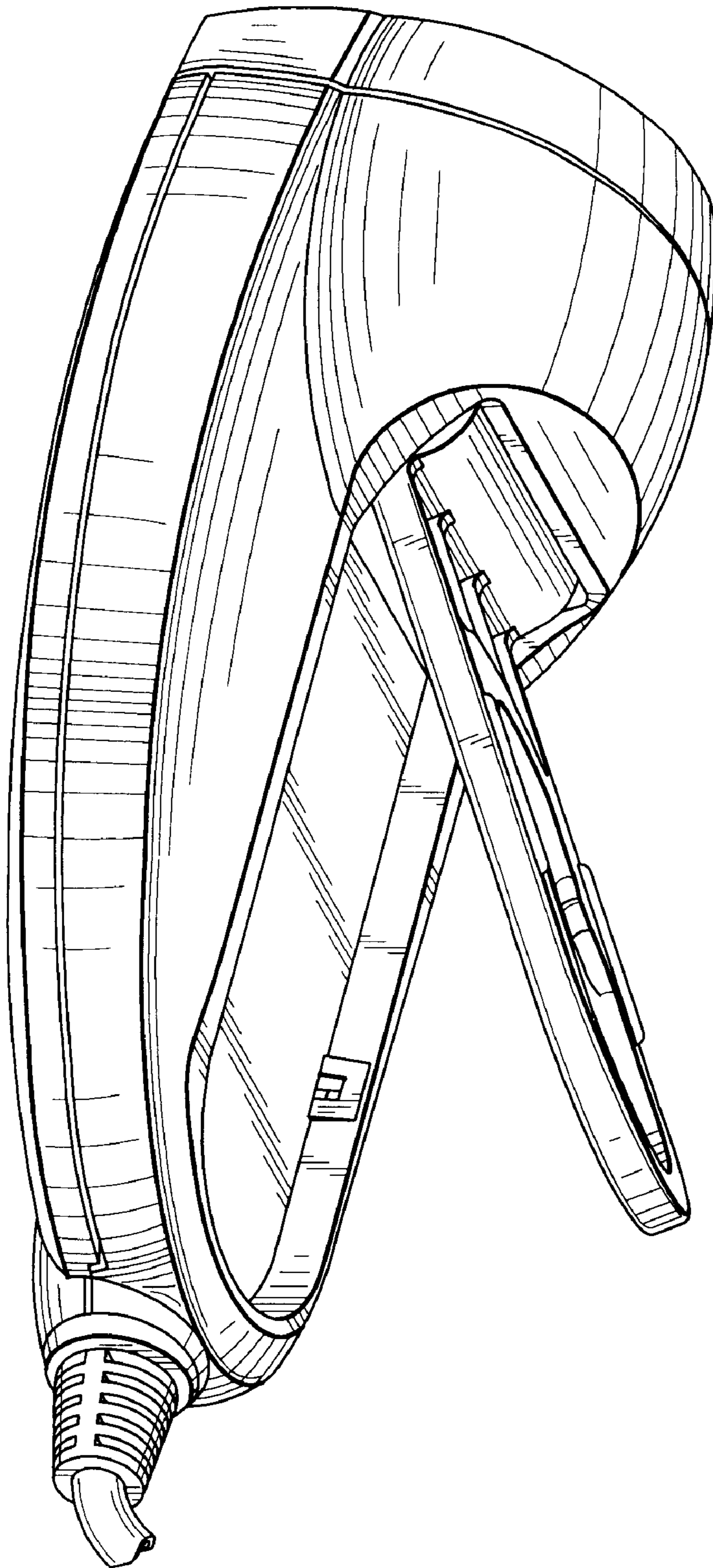


FIG. 2

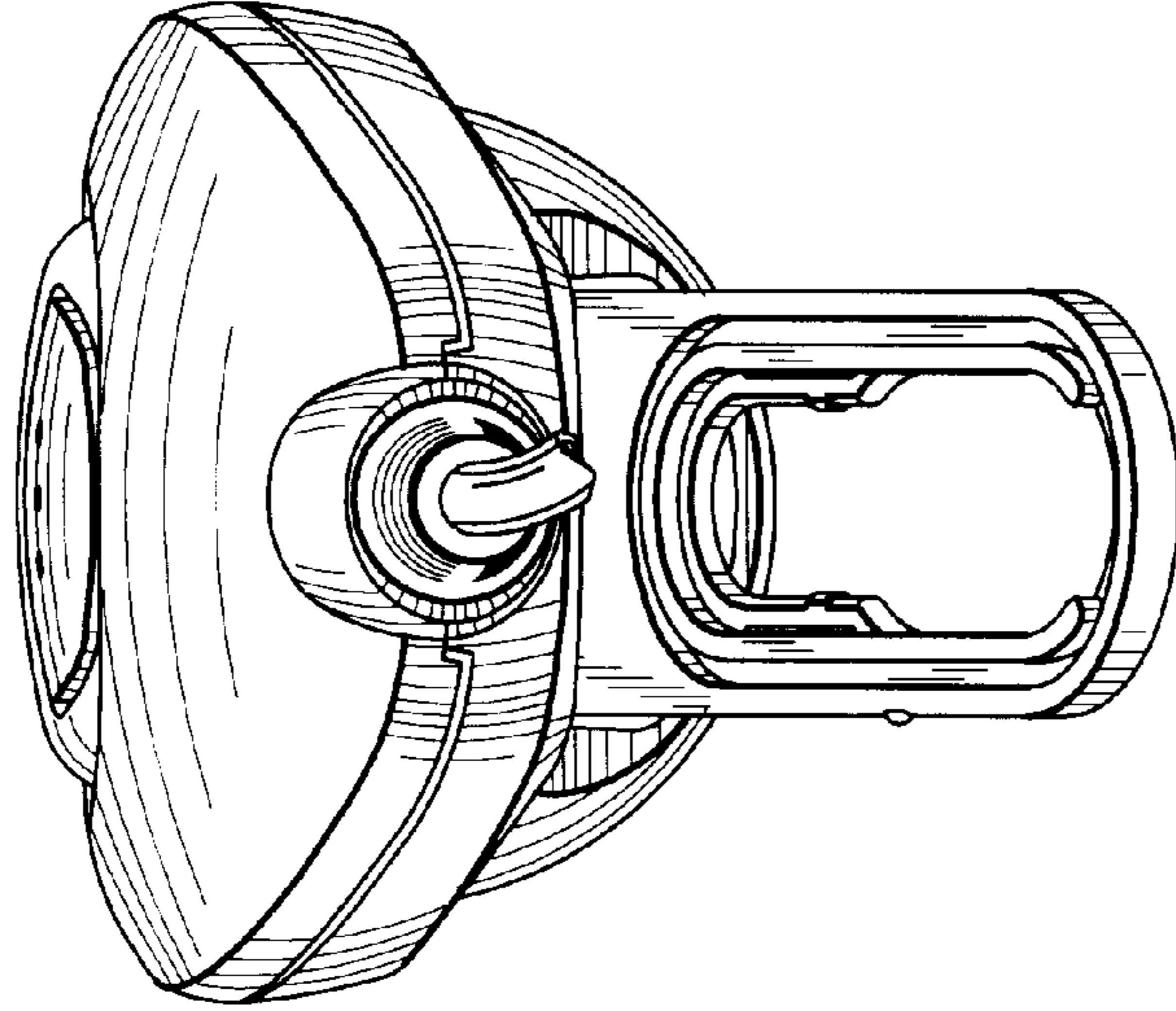


FIG. 4

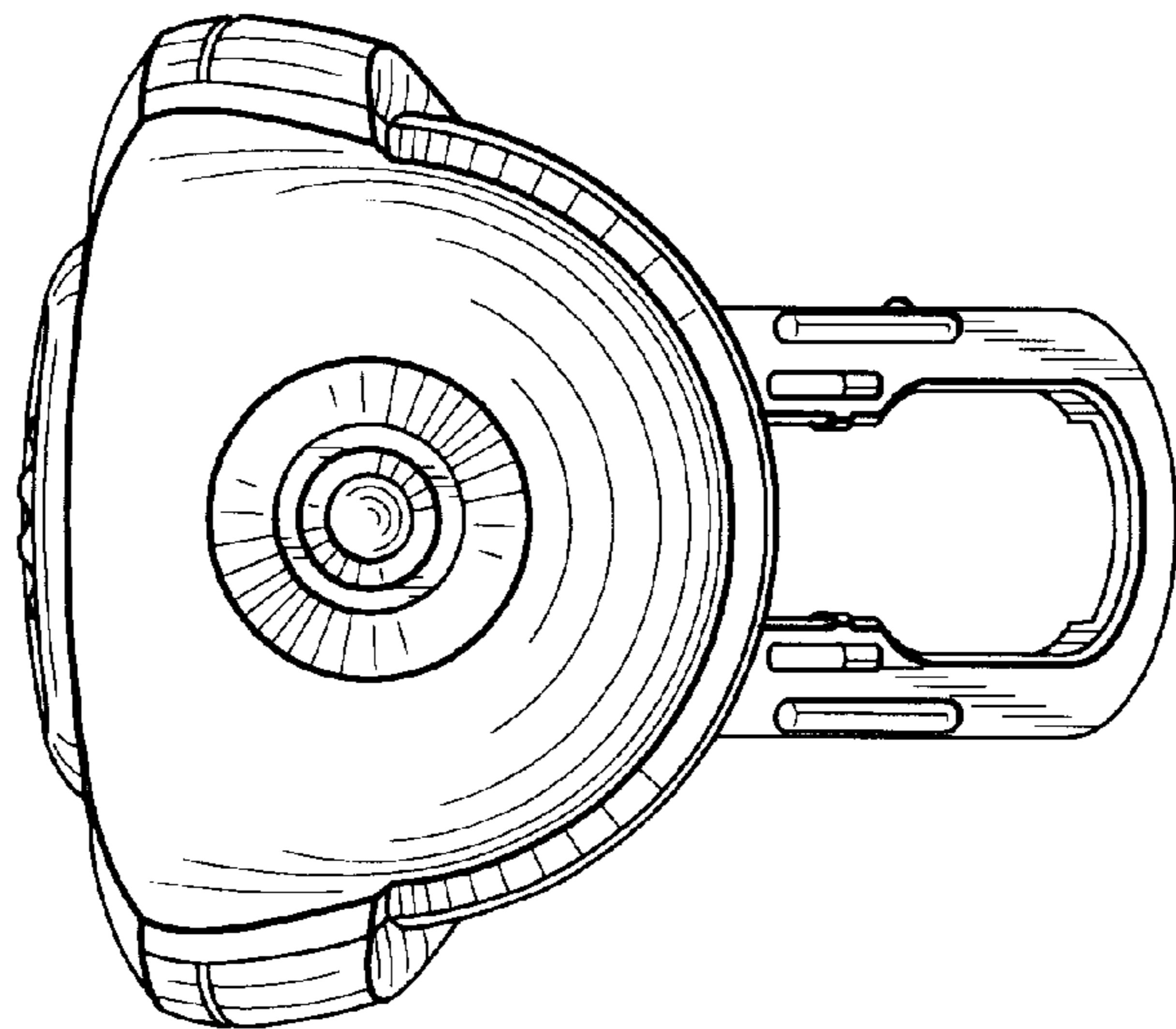


FIG. 3

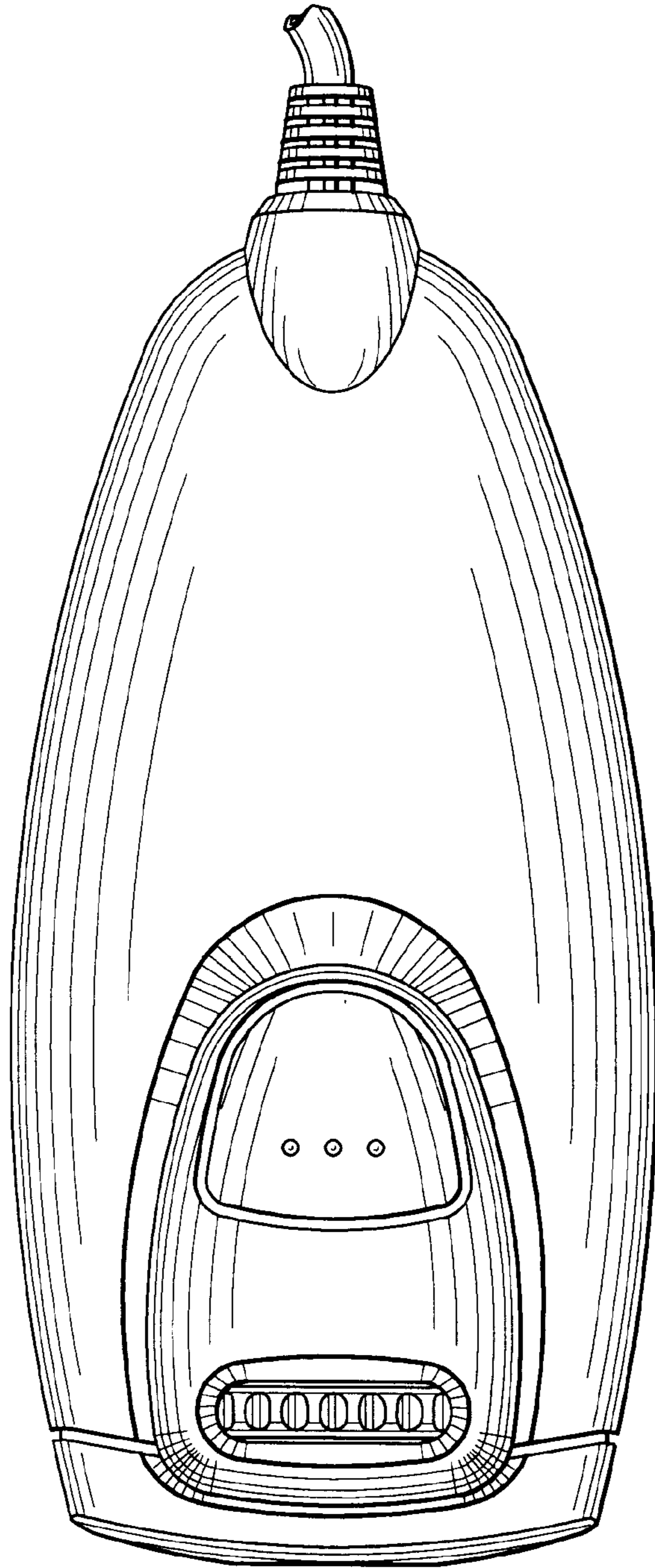


FIG. 5

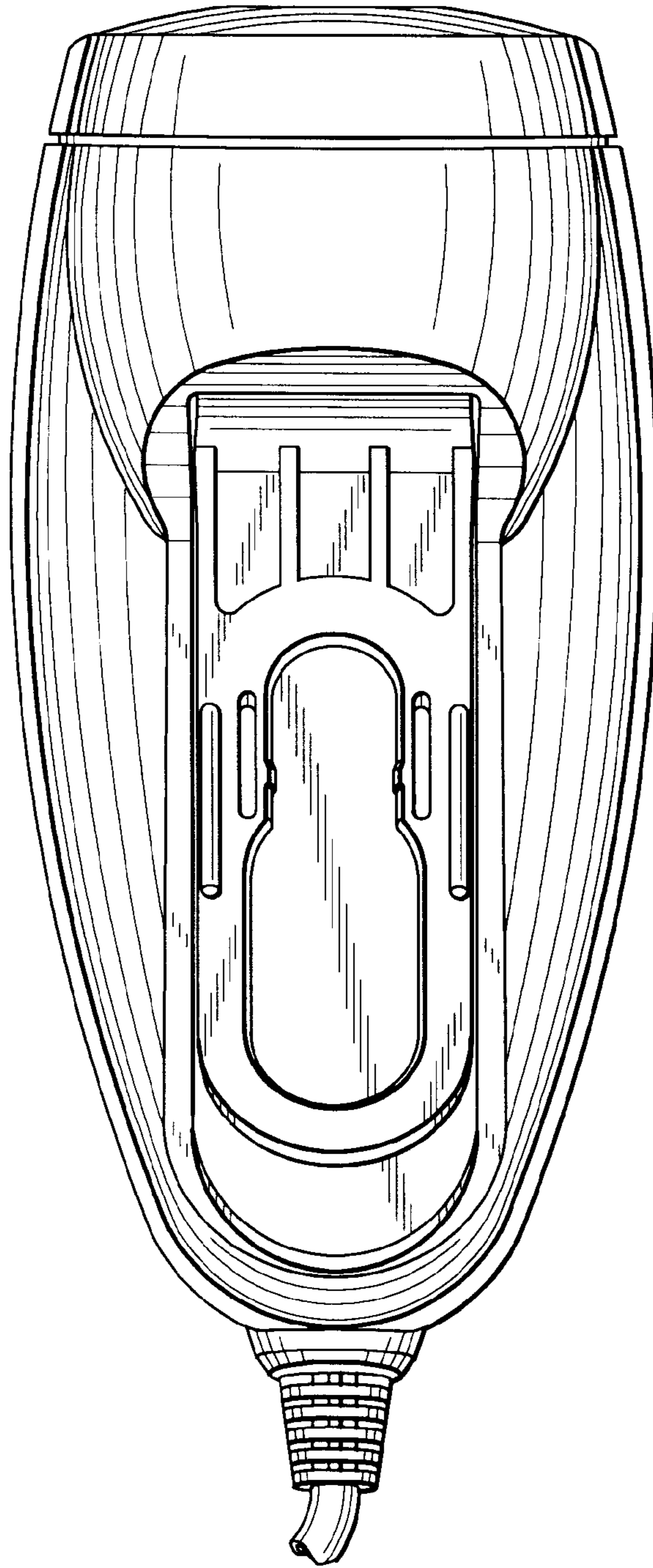


FIG. 6

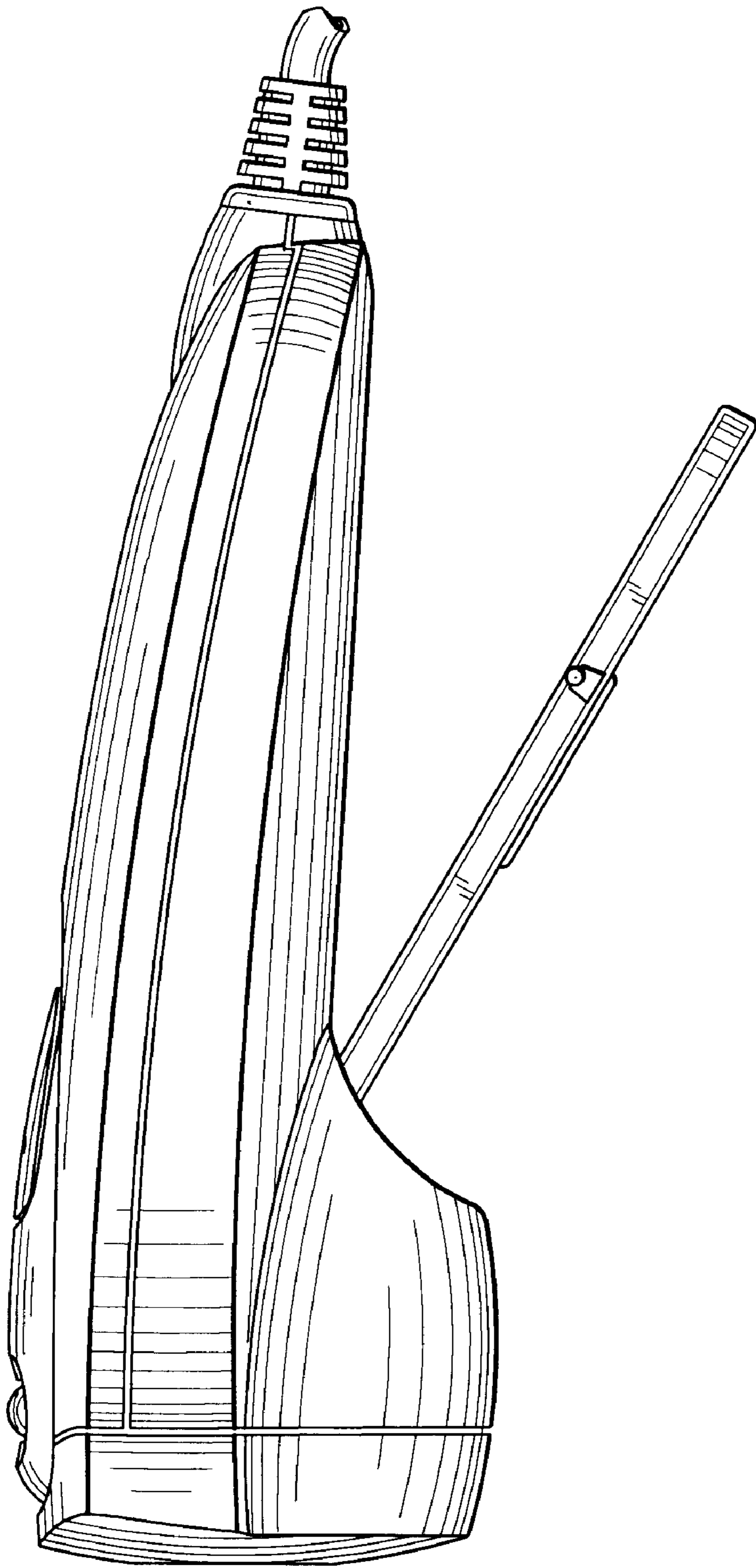


FIG. 7

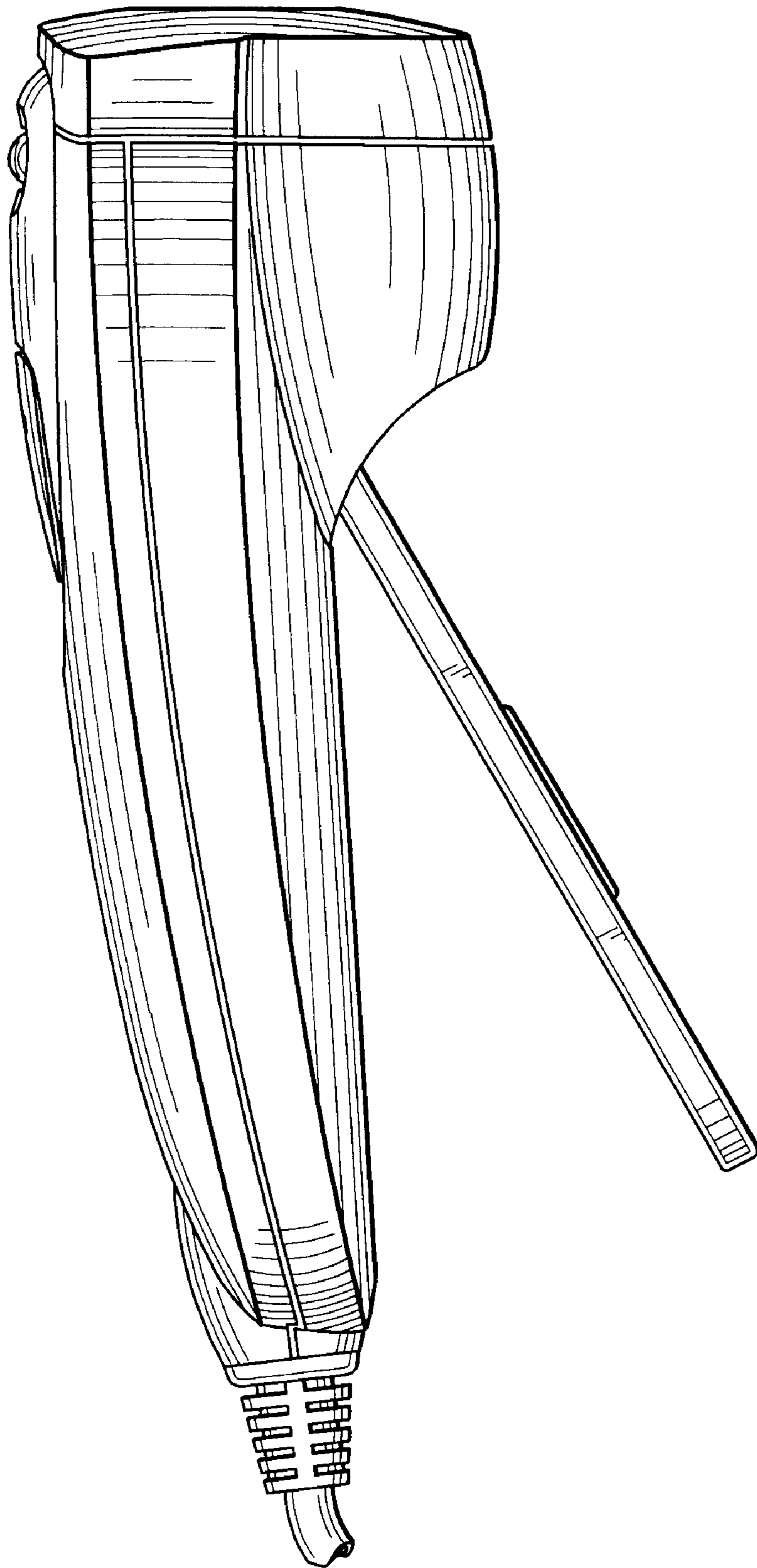


FIG. 8

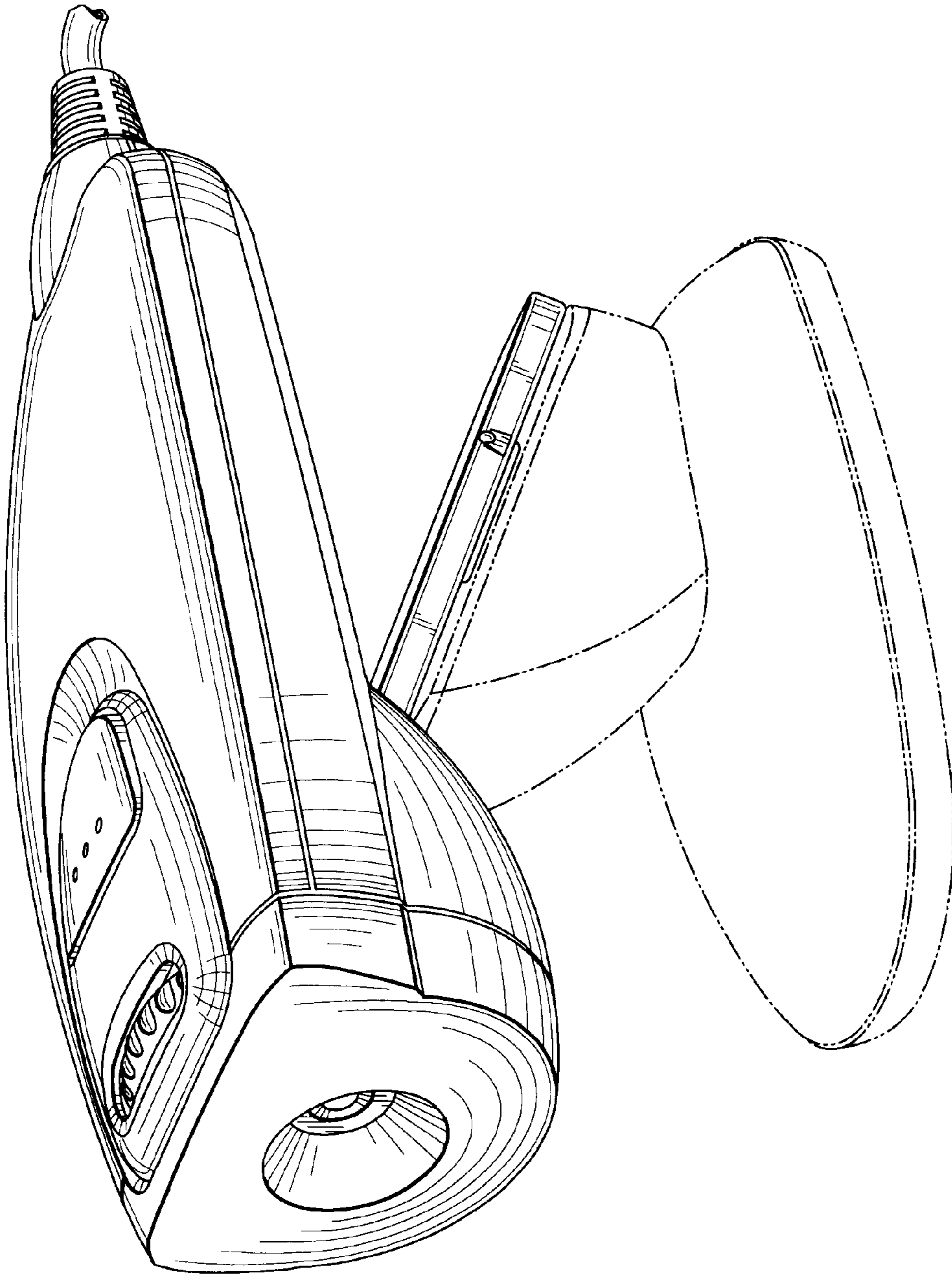


FIG. 9

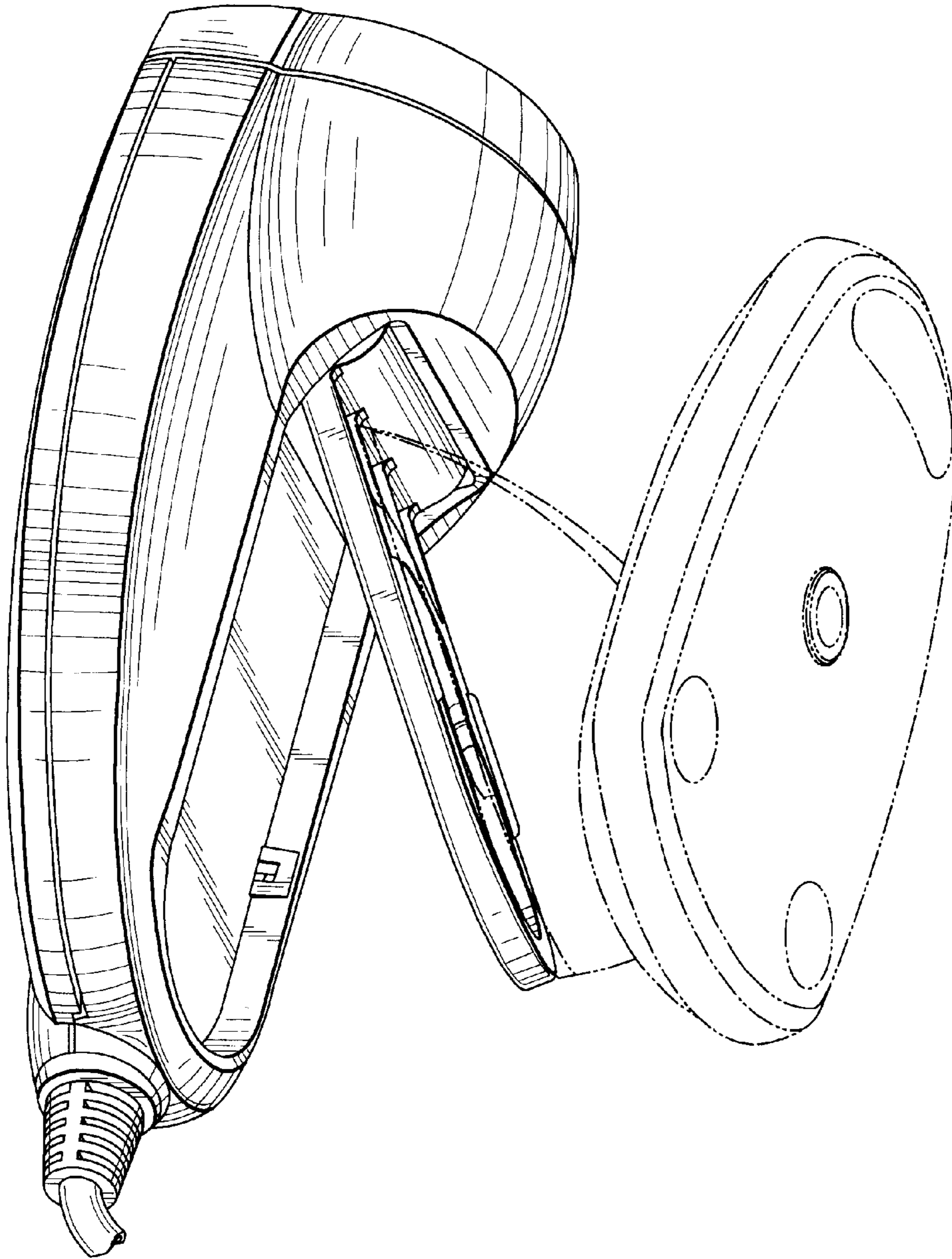


FIG. 10

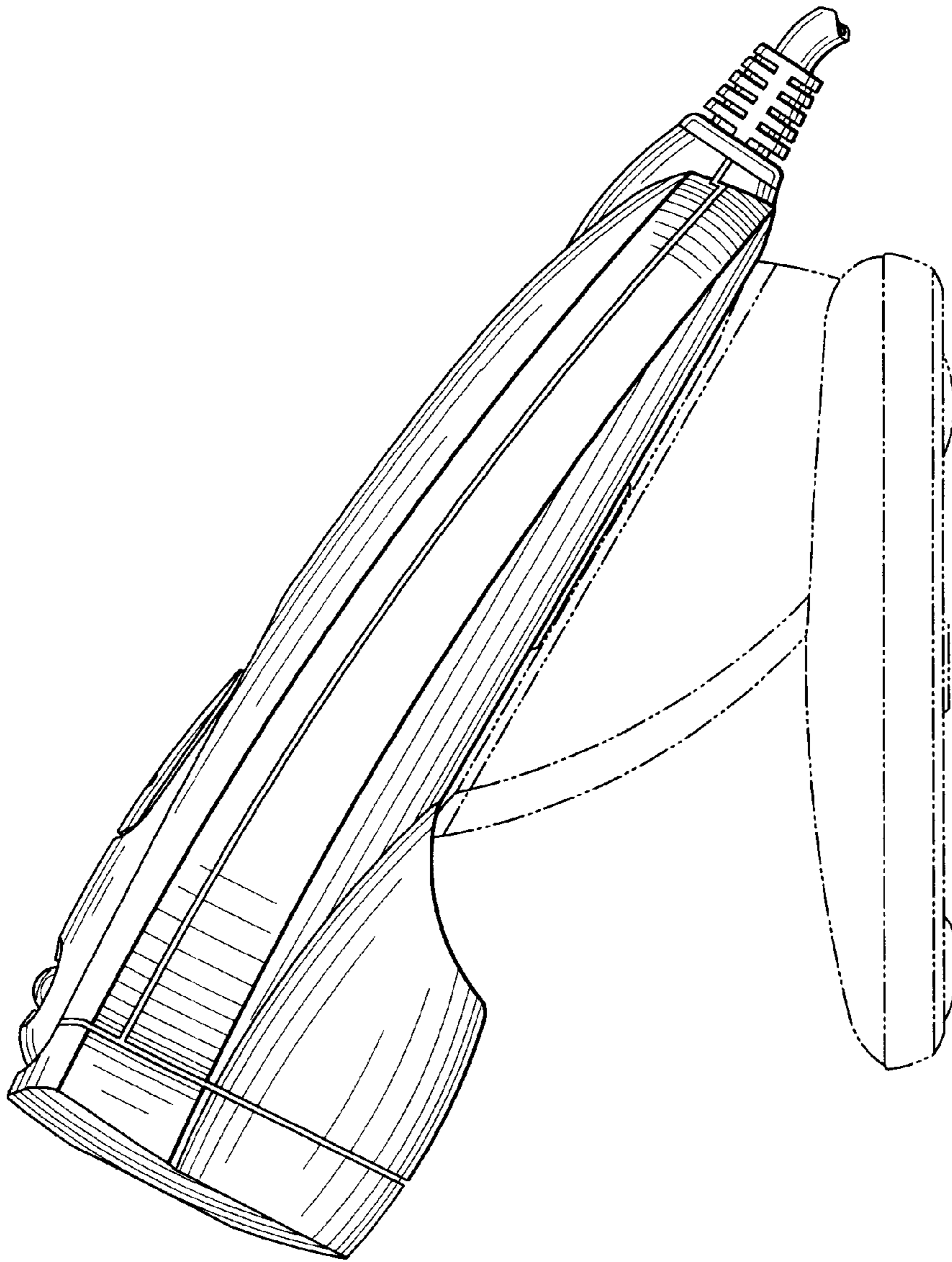


FIG. 11

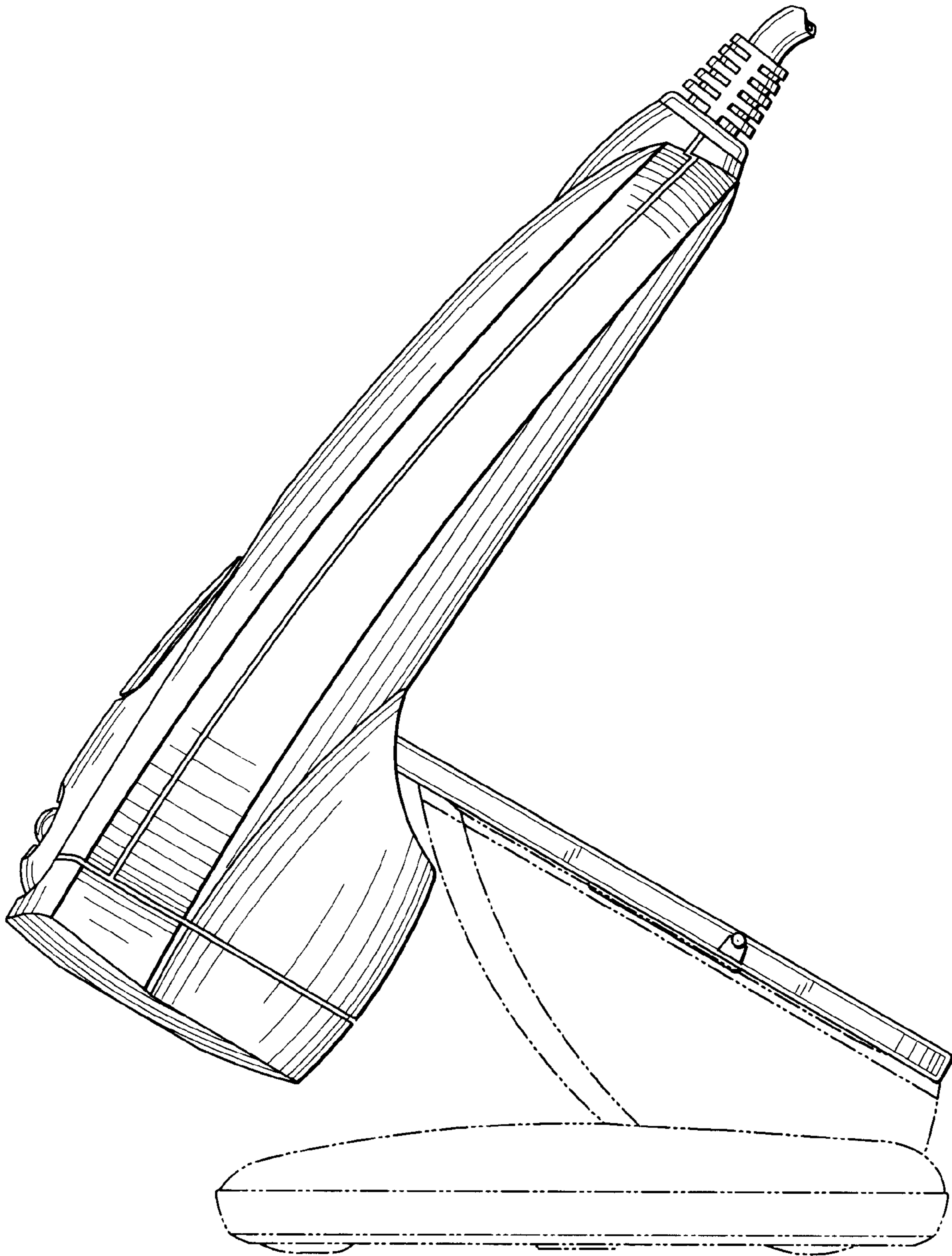


FIG. 12