



US0D1024754S

(12) **United States Design Patent**
Heindl

(10) **Patent No.:** **US D1,024,754 S**

(45) **Date of Patent:** **** *Apr. 30, 2024**

(54) **SHEET PILE CONNECTOR**

(71) Applicant: **Richard Heindl**, Gräfelting (DE)

(72) Inventor: **Richard Heindl**, Gräfelting (DE)

(*) Notice: This patent is subject to a terminal disclaimer.

(**) Term: **15 Years**

(21) Appl. No.: **29/833,402**

(22) Filed: **Apr. 4, 2022**

(30) **Foreign Application Priority Data**

Oct. 4, 2021 (EM) 008717409-0016

(51) **LOC (14) Cl.** **08-08**

(52) **U.S. Cl.**
USPC **D8/382; D25/119**

(58) **Field of Classification Search**
USPC D8/349, 382, 394, 395; D25/61, 119
CPC E02D 5/02; E02D 5/03; E02D 5/04; E02D
5/06; E02D 5/08; E02D 5/12; E02D 5/14;
E02D 5/16; Y10T 403/73
See application file for complete search history.

(56) **References Cited**

U.S. PATENT DOCUMENTS

850,496 A	4/1907	Schuchart	
904,156 A	11/1908	Slick	
1,085,493 A *	1/1914	Schiffler E02D 5/04 29/897.3
1,098,077 A	5/1914	Annison	
1,197,374 A	9/1916	Hobbs	
1,431,274 A	10/1922	Webb	
1,460,263 A	6/1923	Ver Mehr et al.	
1,498,778 A	6/1924	Slauson	
1,679,800 A	8/1928	Wemlinger	
1,799,152 A	4/1931	Boardman	
1,837,787 A	12/1931	Josef	
1,851,864 A	3/1932	Nolte	

1,855,113 A	4/1932	Nolte
1,862,426 A	6/1932	Prielipp
1,918,886 A	7/1933	Amand
1,937,758 A	12/1933	Harris
2,018,625 A	10/1935	Grave
2,020,315 A	11/1935	Hughes
2,020,795 A	11/1935	Nolte

(Continued)

FOREIGN PATENT DOCUMENTS

CN	305470198	* 12/2019
CN	306103151	10/2020

(Continued)

OTHER PUBLICATIONS

SteelWall Connectors for steel sheet pile walls 2023, Date: Jan. 4, 2023, <<https://www.steelwallus.com/assets/2023-01-09-sw-connectors-v33-us-fv-lowres.pdf>>.*

(Continued)

Primary Examiner — Sheryl Lane
Assistant Examiner — Ieisha N Price
(74) *Attorney, Agent, or Firm* — Meunier Carlin & Curfman LLC

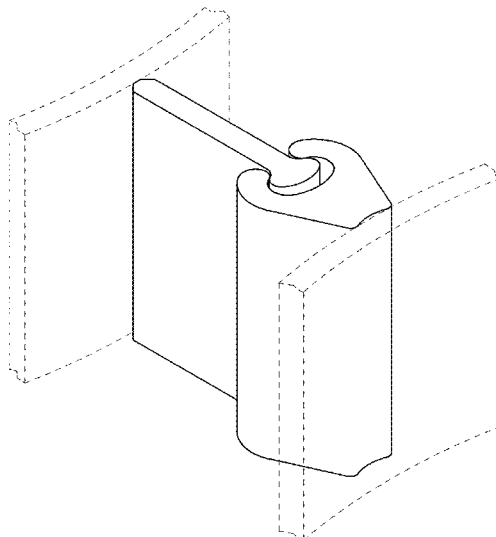
(57) **CLAIM**

The ornamental design for a sheet pile connector, as shown and described.

DESCRIPTION

FIG. 1 is a front, left side perspective view of a sheet pile connector showing my new design in use.
FIG. 2 is a top view thereof; and,
FIG. 3 is a rear, right side perspective view thereof.
The broken lines rendered in the drawings depict environmental subject matter intended to assist in showing how the design appears when in use and form no part of the claimed design.

1 Claim, 3 Drawing Sheets



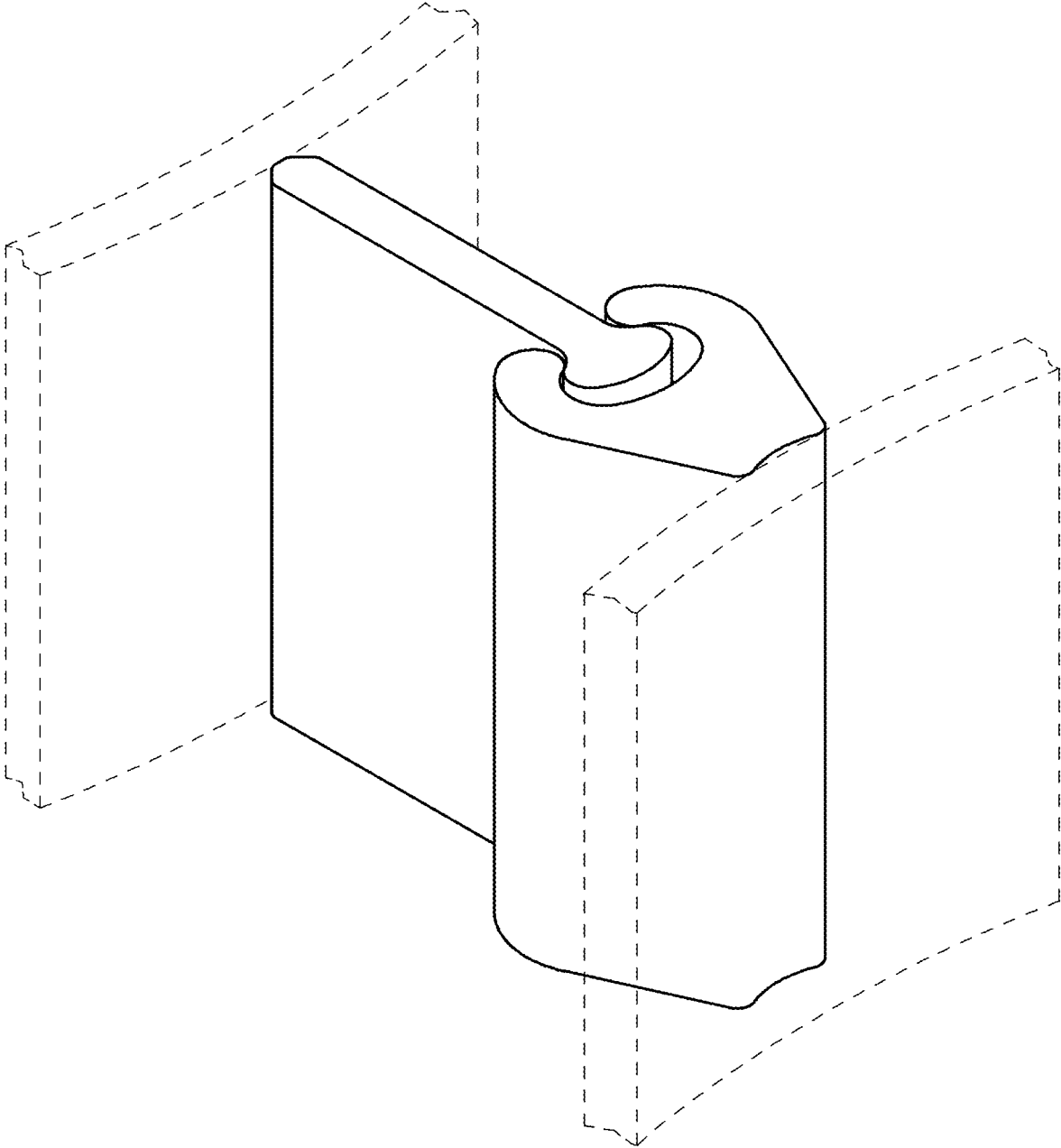


FIG. 1

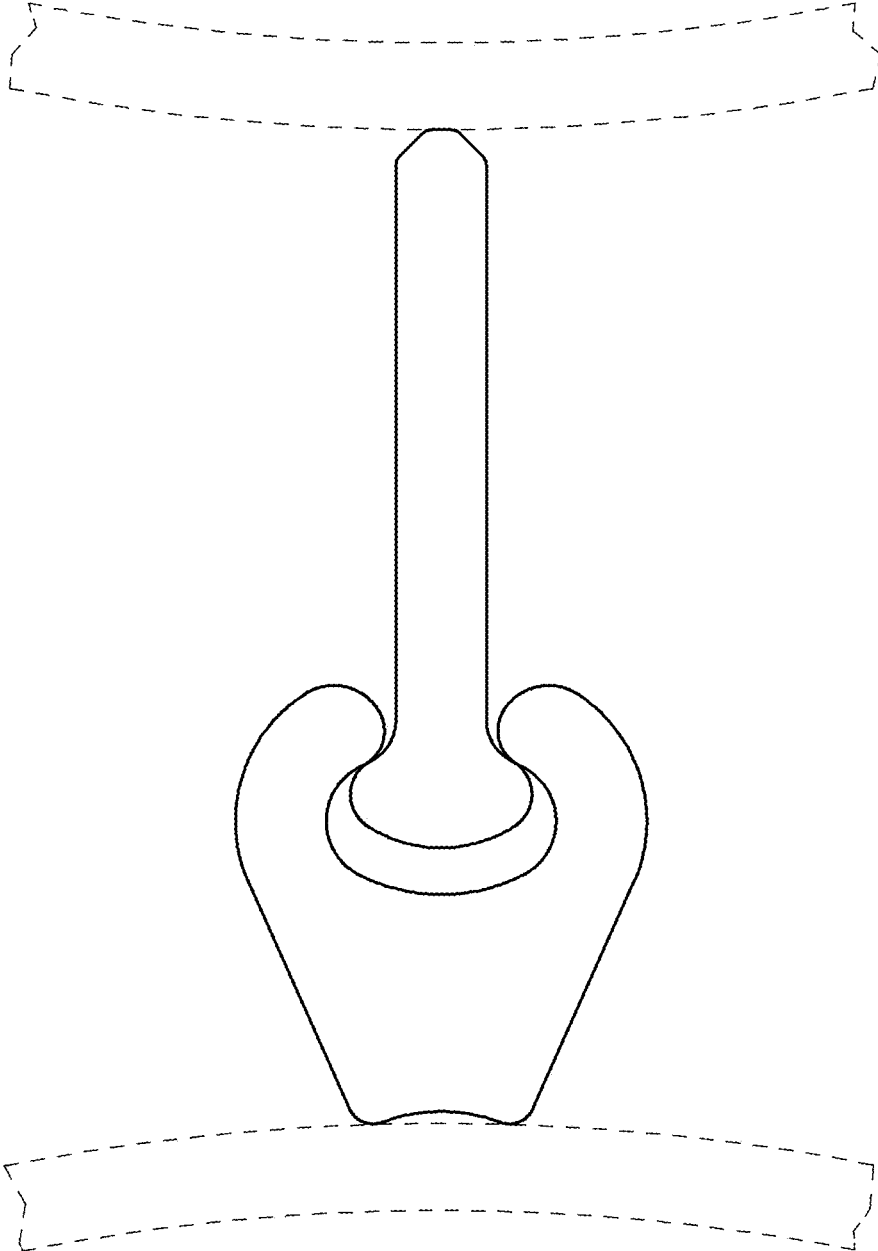


FIG. 2

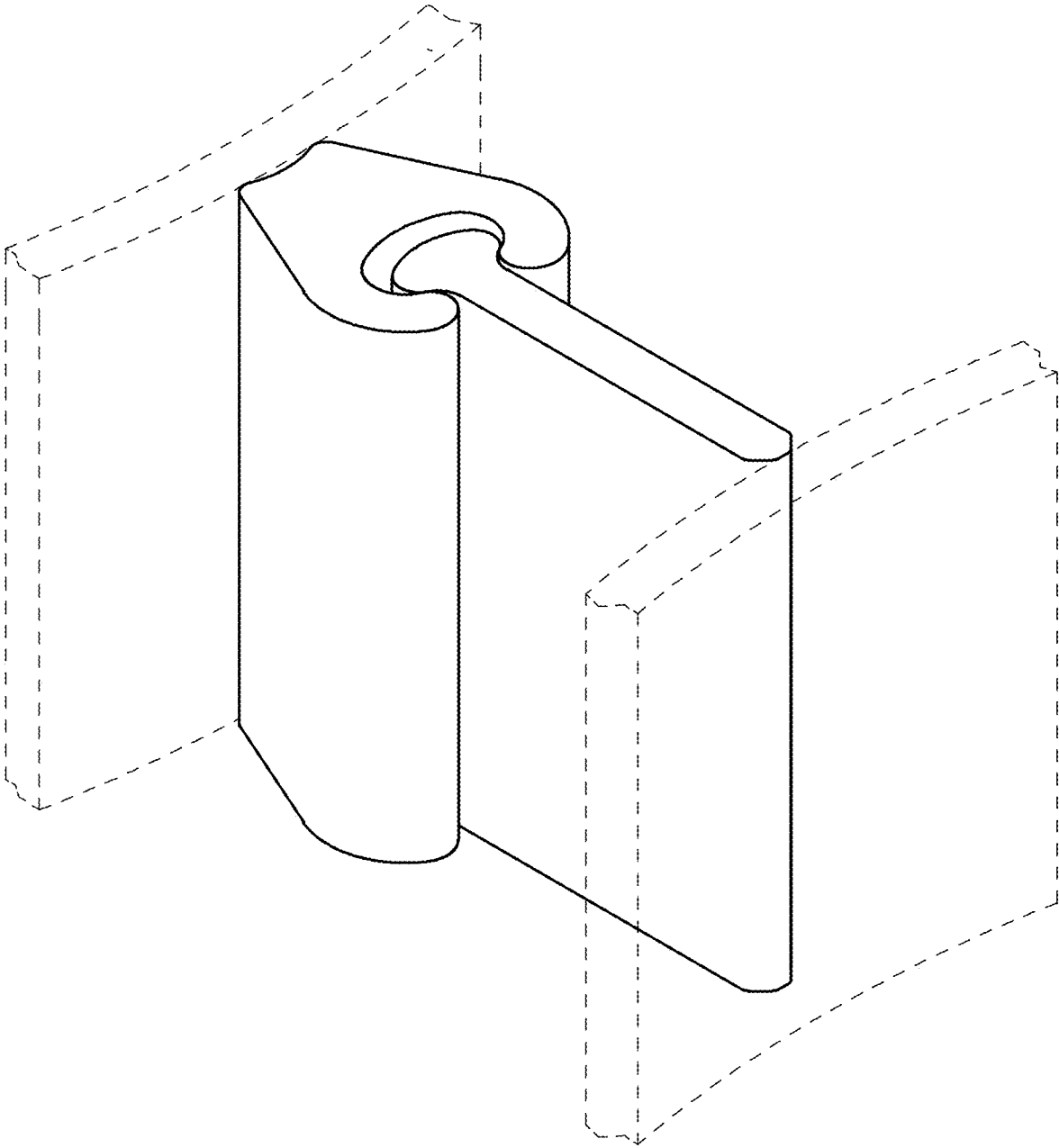


FIG. 3