



US00D720348S

(12) **United States Design Patent**
Robinson et al.

(10) **Patent No.:** **US D720,348 S**

(45) **Date of Patent:** **** Dec. 30, 2014**

(54) **MEDIA CONTROLLER**

D369,189 S 4/1996 Stambolic et al.
5,803,582 A 9/1998 Huang
D419,541 S * 1/2000 Kawashima D14/431
6,304,249 B1 10/2001 Derocher et al.

(Continued)

(71) Applicant: **ACCO Brands Corporation**, Lake Zurich, IL (US)

(72) Inventors: **Todd C. Robinson**, Belmont, CA (US); **Brian B. Bautista**, South San Francisco, CA (US); **Adam S. Weaver**, Jackson, CA (US); **Erik J. Campbell**, San Francisco, CA (US)

FOREIGN PATENT DOCUMENTS

WO 2012100523 A1 8/2012

OTHER PUBLICATIONS

(73) Assignee: **ACCO Brands Corporation**, Lake Zurich, IL (US)

Kensington, "SlimBlade™ Bluetooth Presenter Mouse" <http://www.kensington.com/kensington/us/us/p/1594/K72330US/slimblade%E2%84%A-2bluetooth-resenter-mouse.aspx> webpage available as early as Oct. 16, 2011.

(Continued)

(**) Term: **14 Years**

Primary Examiner — Austin Murphy
(74) *Attorney, Agent, or Firm* — Michael Best & Friedrich LLP

(21) Appl. No.: **29/493,731**

(22) Filed: **Jun. 12, 2014**

(51) **LOC (10) Cl.** **14-02**

(52) **U.S. Cl.**

USPC **D14/411**

(58) **Field of Classification Search**

CPC G06F 3/016; G06F 3/033; G06F 3/0317; G06F 3/03545; G06F 3/041; G06K 9/222
USPC D8/61; D14/411; D19/35, 36, 41–51, D19/54–58; 401/55, 99, 100, 104–107, 196, 401/197, 202, 208, 209, 213, 192, 195, 401/243; 708/107; 345/179, 173; 178/19.01; 700/94

See application file for complete search history.

(57)

CLAIM

We claim the ornamental design for a media controller, as shown and described.

DESCRIPTION

FIG. 1 is a perspective view of a media controller embodying the invention.

FIG. 2 is a first side view of the media controller of FIG. 1.

FIG. 3 is a second side view of the media controller of FIG. 1.

FIG. 4 is a third side view of the media controller of FIG. 1.

FIG. 5 is a fourth side view of the media controller of FIG. 1.

FIG. 6 is a first end view of the media controller of FIG. 1; and,

FIG. 7 is a second end view of the media controller of FIG. 1.

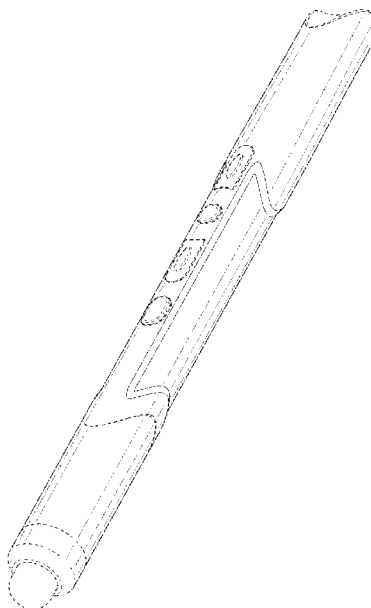
Portions of the media controller shown in broken lines form no part of the claimed design.

(56) **References Cited**

U.S. PATENT DOCUMENTS

4,387,718 A 6/1983 Bilitz et al.
4,855,746 A 8/1989 Stacy
D322,609 S * 12/1991 Patton D14/218

1 Claim, 4 Drawing Sheets



(56)

References Cited

U.S. PATENT DOCUMENTS

D487,451 S 3/2004 Suzuki
 D499,702 S 12/2004 Abe
 D507,364 S 7/2005 Lo
 D507,839 S 7/2005 Man
 D528,510 S 9/2006 Schmieta et al.
 7,161,578 B1 1/2007 Schneider
 D537,181 S * 2/2007 Chen et al. D26/37
 7,248,201 B2 7/2007 Buccinna et al.
 D552,043 S 10/2007 Thursfield
 D582,915 S * 12/2008 Leung D14/480.3
 D606,946 S 12/2009 Zheng
 7,817,137 B2 10/2010 Wang
 D626,534 S 11/2010 Kim et al.
 D641,222 S * 7/2011 Molina et al. D8/61
 D650,364 S 12/2011 Kim et al.
 D662,074 S 6/2012 Corsini et al.
 8,352,041 B2 1/2013 Das et al.
 D684,283 S 6/2013 Zhou et al.
 D685,750 S 7/2013 Nakagawa
 D685,792 S * 7/2013 Nakajima et al. D14/411
 D686,618 S * 7/2013 Wilson et al. D14/411
 D690,662 S 10/2013 Maier et al.
 D692,429 S * 10/2013 So D14/411
 D692,889 S * 11/2013 So D14/411
 D697,916 S * 1/2014 Dowd et al. D14/411
 D699,723 S * 2/2014 Nishizawa D14/411
 D704,710 S * 5/2014 Chen D14/411
 D706,267 S * 6/2014 Nakata D14/411
 D707,227 S * 6/2014 Chung et al. D14/411
 D708,598 S * 7/2014 Robinson et al. D14/218
 D709,886 S * 7/2014 Lin D14/411
 D709,887 S * 7/2014 Yagi D14/411
 D710,854 S * 8/2014 Huang D14/411
 2003/0043111 A1 3/2003 Huang
 2005/0012594 A1 1/2005 Shim
 2008/0065806 A1 3/2008 Kim et al.
 2009/0240240 A1 9/2009 Hines et al.
 2010/0007517 A1 1/2010 Andrews et al.

OTHER PUBLICATIONS

Kensington, "Virtuoso™ Pro Pointer Stylus & Red Laser Pointer" <<http://www.kensington.com/kensington/tilen/gb/p/2836/K39539WW/virtuoso%E2%84%A2-pro-pointer-stylus-red-laser-pointer.aspx>> webpage available as early as Jun. 5, 2012.
 Targus, "Targus Green Laser Presenter with Multimedia Functions" <<http://www.targus.com/us/productdetail.aspx?regionId=7&sku=AMP14USZ&PageName=Presenters>> webpage accessed May 13, 2013.
 Simplism, "Simplism Japan Dual USB Charger Slide Style, Black" <http://www.drugstore.com/products/prod.asp?pid=386831&catid=283116&aid=338666&aparam=goobase_filler&device=c&network=g&matchtype=>> webpage accessed May 14, 2013.
 Amazon, "SMK-Link Rechargeable Wireless Presenter Remote an Mouse (VP6700)" <http://www.amazon.com/SMK-Link-Rechargeable-Wireless-Presenter-VP6700/dp/B00112BK0A/ref=sr_1_2?s=electronics&ie=UTF8&quid=1368513358&sr=1-2&keywords=rechargeable+wireless+presenter> webpage available as early as Feb. 13, 2012.

Brandeditems, "Laser Pointer LED USB Flash Drive" <http://www.brandeditems.com.ar/technology_products.php?id=398&kateg=1> webpage accessed May 14, 2013.
 HDE, "Red 3-in-1 Stylus, Red Laser Pointer, & LED Light" <<http://www.shophde.com/j108.html>> webpage available as early as Aug. 15, 2007.
 HDE, "Black 4-in-1 Stylus, Pen, Laser Pointer, & LED Light" <<http://www.shophde.com/j110.html>> webpage available as early as Jun. 5, 2012.
 Amazon, "VSON Wireless USB Presentation Remote Clicker Pen" <http://www.amazon.com/Vson-Wireless-USB-Presentation-Remoteclicker/dp/B00F2YAV8K/ref=sr_1_2?ie=UTF8&qid=1381248949&sr=8-2&keywords=vson+wireless+usb+presentation+remote+clicker+pen> webpage available as early as Apr. 16, 2009.
 Amazon, "Targus Bluetooth Presenter for Apple Mac AMP11US Wireless laser pointer Mouse" <http://www.amazon.com/Targus-Bluetooth-Presenter-AMP11US-Wireless/dp/B001HQDFGC/ref=sr_1_1?ie=UTF8&qid=1381249241&sr=8-1&keywords=targus+bluetooth+presenter+for+apple+mac+amp11us+wireless+laser+pointer+mouse> webpage available as early as Aug. 31, 2012.
 Google, "WebOS Bluetooth Remote Presenter" <<http://code.google.com/p/webos-bluetooth-remote-presenter/>> webpage available as early as Nov. 17, 2011.
 Boxwave, "Presentation Capacitive iPad Stylus" <<http://www.boxwave.com/ipad-stylus/presentation-capacitive-ipad-stylus/bwpdd/pww-tmmw/>> webpage available as early as Jan. 16, 2011.
 Amazon, "RF Wireless Laser Pointer with Page up Down PowerPoint Presentation Function (Black)" <http://www.amazon.com/Wireless-Pointer-PowerPoint-Presentation-Function/dp/B002SDT31C/ref=sr_1_1?ie=UTF8&qid=1381251609&sr=8-1&keywords=rf+wireless+laser+pointer> webpage available as early as Feb. 2, 2013.
 Amazon, "HP Mogo Bluetooth X54 Presenter Travel Mouse for Laptops" <http://www.amazon.com/HP-Mogo-Bluetooth-X54-Presenter/dp/B004AMRT62/ref=cm_cr_pr_pb_t> webpage available as early as Sep. 27, 2012.
 Multi-Function Co., Ltd., "iPhone Tool Stylus Pen" <http://www.multi-function.net/product_detail.php?idx=39> webpage available as early as Jun. 5, 2012.
 Multi-Function Co., Ltd., "Wireless Presentation Pointer With Laser Pointer and USB Flash Drive" <http://www.multi-function.net/product_detail.php?idx=85> webpage available as early as Jun. 5, 2012.
 Multi-Function Co., Ltd., "Wireless Presenter With Laser Pointer" <http://www.multi-function.net/product_detail.php?idx=84> webpage available as early as Jun. 5, 2012.
 Pollicino, J., "Griffin announces 'Stylus + Pen + LaserPointer,' gives up on creative product names" <<http://www.engadget.com/2011/09/03/griffin-announces-stylus-pen-laser-pointer-gives-up-on-cr/>> webpage available as early as Sep. 3, 2011.
 Google, "Interlink Electronics Bluetooth Stopwatch Presenter with Laser Pointer VP4570 Presentation remote control—Bluetooth" <<https://www.google.com/#q=interlink+electronics+bluetooth+stopwatch+presenter+with+laser+pointer&tbm=shop>> webpage available as early as Aug. 2008.
 Google, "Quartet 4 Function Laser Pointer—Laser pointer / ball point pen / LED flashlight / stylus" <<https://www.google.com/#q=quartet+4+function+laser+pointer&tbm=shop>> webpage available as early as Dec. 2010.

* cited by examiner

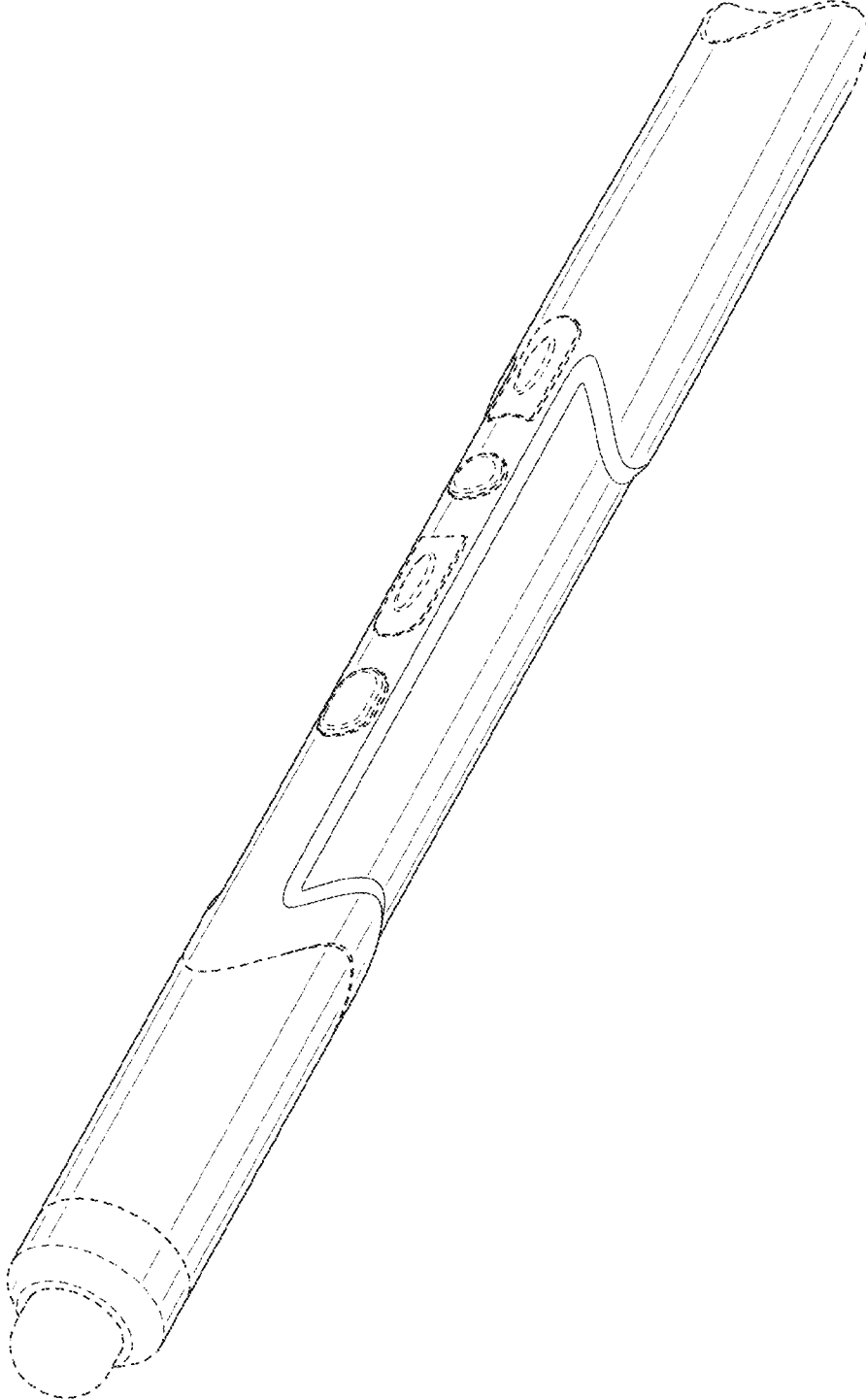


FIG. 1

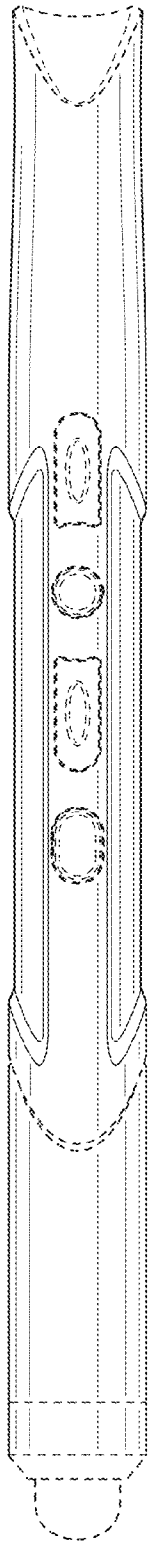


FIG. 2

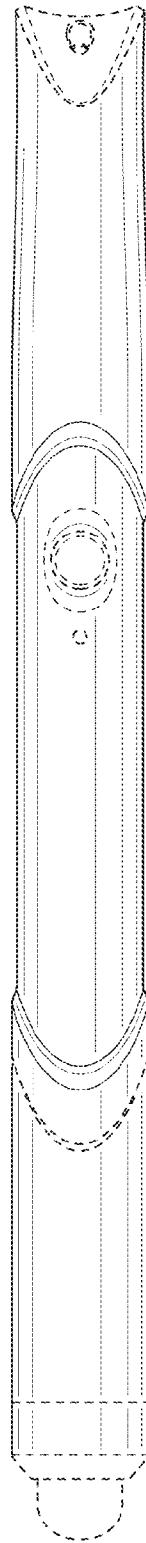


FIG. 3

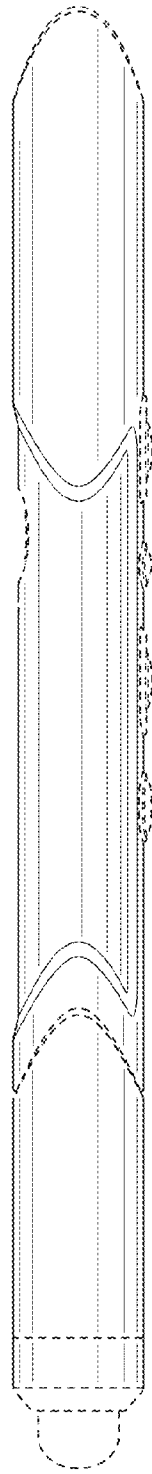


FIG. 4

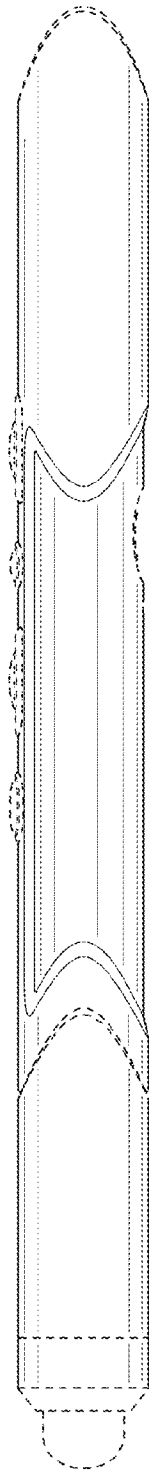


FIG. 5

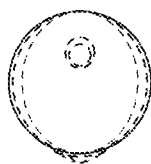


FIG. 6



FIG. 7