



US00D759022S

(12) **United States Design Patent**  
**Beals et al.**

(10) **Patent No.:** **US D759,022 S**

(45) **Date of Patent:** **\*\* Jun. 14, 2016**

- (54) **SMART CARD INTERFACE**
- (71) Applicant: **NagraStar LLC**, Englewood, CO (US)
- (72) Inventors: **William Michael Beals**, Englewood, CO (US); **Hervé Goupil**, Villars sous Yens (CH)
- (73) Assignee: **NagraStar LLC**, Englewood, CO (US)
- (\*\*) Term: **14 Years**
- (21) Appl. No.: **29/448,754**
- (22) Filed: **Mar. 13, 2013**
- (51) **LOC (10) Cl.** ..... **14-02**
- (52) **U.S. Cl.**  
USPC ..... **D14/436; D14/437**
- (58) **Field of Classification Search**  
USPC ..... D14/435–437, 478–480, 485–495, 474, D14/217; D13/182; 369/275.1–275.5, 369/44.26, 100, 52.1, 272, 273, 280–288; 283/81; 720/718; 435/6, 287.2; 604/891.1; 216/2; D11/80; 235/492, 235/488, 493, 487, 375, 379, 439, 440, 441, 235/451, 486; 361/737, 748–752; D19/9, D19/10; D9/457; 705/51; 257/707, 686; 340/5.52, 5.25, 5.74  
CPC ..... G06K 9/00973–9/00986; G06K 19/063–19/0701; G06K 19/0708–19/0712; G06K 19/0715–19/07771; G06K 19/083–19/18; G06K 21/00–21/06; G06K 2207/00–2207/1018; G06F 3/08; G06F 3/12; G06F 7/40; G06F 17/5068; G06F 21/00; G06F 21/30; G06F 21/31; G06F 21/34; G06F 21/45; G06F 21/77–21/80; Y10T 29/49018; Y10T 29/49124–29/4913; Y10T 29/49117; H01L 23/13; H01L 23/31; H01L 23/3128; H01L 23/48; H01L 23/49541; H01L 23/498; H01L 23/49811; H01L 23/49816; H01L 23/49833; H01L 23/49838; H01L 23/49844; H01L 23/4985; H01L 23/49855; H01L 23/49888; H01L 23/50; H01L 23/522; H01L 23/528; H01L 23/5283; H01L 23/538; H01L 23/5386; H01L 23/5388; H01L 23/5389; H01L 25/00; H01L 25/0655; H01L 27/0203; H01L 27/0207; H01L 27/12;

H01L 27/1218; H01L 27/1222; H01L 27/127; H01L 24/00–24/17; H01L 24/94–27/98; H01L 2224/01; H01L 2224/0501; H01L 2224/05013–2224/05017; H01L 2224/0555–2224/05557; H01L 2224/0612–2224/06189; H01L 2224/07–2224/09181; H01L 21/00–21/84  
See application file for complete search history.

(56) **References Cited**

U.S. PATENT DOCUMENTS

D54,610 S \* 3/1920 Evans et al. .... D19/1  
3,702,025 A \* 11/1972 Archer ..... 438/6

(Continued)

FOREIGN PATENT DOCUMENTS

CA 2318936 4/2004  
CN 201330395635.2 2/2014

(Continued)

OTHER PUBLICATIONS

Smart Card Module Poster compiled by Endre Nagy of Hungary 1 page poster, edition Mar. 2004, [www.wrinkl.de/UThings/Training.html](http://www.wrinkl.de/UThings/Training.html) (under the heading: "Modules for Smart Card Microcontroller").\*

(Continued)

*Primary Examiner* — Susan Moon Lee

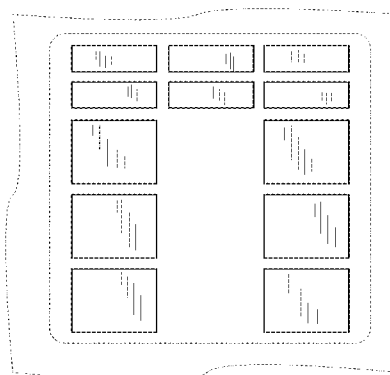
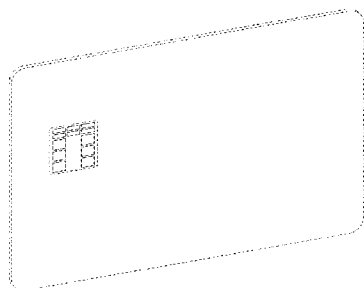
(57) **CLAIM**

The ornamental design for a smart card interface, as shown and described.

**DESCRIPTION**

FIG. 1 is a front perspective view of a smart card interface; FIG. 2 is a front elevation view thereof; and, FIG. 3 is an enlarged view of the contacts portion of the smart card interface.  
Singular broken lines and unshaded portions contained within broken lines are not claimed.

**1 Claim, 2 Drawing Sheets**





(56)

## References Cited

U.S. PATENT DOCUMENTS					
6,213,403	B1 *	4/2001	Bates, III	235/492	
6,241,557	B1 *	6/2001	Reichardt	439/637	
6,292,490	B1	9/2001	Gratacap et al.		
6,315,205	B1 *	11/2001	Bates, III	235/479	
6,329,228	B1 *	12/2001	Terashima	438/156	
D452,864	S *	1/2002	Wallace et al.	D14/436	
6,344,162	B1 *	2/2002	Miyajima	264/272.14	
D456,414	S *	4/2002	Turin	D14/437	
6,369,795	B1 *	4/2002	Lester	G06F 3/0395 345/156	
6,378,774	B1 *	4/2002	Emori et al.	235/492	
6,398,114	B1 *	6/2002	Nishikawa et al.	235/492	
6,409,089	B1	6/2002	Eskicioglu		
6,443,361	B1 *	9/2002	Klatt et al.	235/486	
6,460,772	B1 *	10/2002	Stahl	235/486	
6,492,718	B2 *	12/2002	Ohmori	257/686	
6,548,888	B1 *	4/2003	Fidalgo et al.	257/679	
6,561,432	B1 *	5/2003	Vedder et al.	235/492	
6,581,840	B2 *	6/2003	Takeda et al.	235/488	
6,592,031	B1 *	7/2003	Klatt	235/382	
6,592,044	B1 *	7/2003	Wong et al.	235/493	
6,594,361	B1	7/2003	Chaney et al.		
6,641,049	B2 *	11/2003	Luu	235/492	
6,646,957	B2 *	11/2003	Martin et al.	368/10	
D487,747	S *	3/2004	Yu et al.	D14/436	
6,705,520	B1 *	3/2004	Pitroda et al.	235/382.5	
6,719,206	B1 *	4/2004	Bashan et al.	235/492	
D491,951	S *	6/2004	Yu et al.	D14/436	
D492,688	S *	7/2004	Wallace et al.	D14/437	
6,764,005	B2 *	7/2004	Cooper	235/449	
D493,798	S *	8/2004	Yu et al.	D14/436	
6,779,115	B1	8/2004	Naim		
6,811,082	B2 *	11/2004	Wong	235/451	
6,826,185	B1	11/2004	Montanaro et al.		
6,848,617	B1 *	2/2005	Fries	G06K 9/0002 235/380	
6,882,541	B2 *	4/2005	Maruyama	H05K 1/189 174/254	
6,896,189	B2 *	5/2005	Guion et al.	235/492	
6,922,780	B1 *	7/2005	Siegel	713/189	
6,974,343	B2 *	12/2005	Zheng	H01R 13/627 439/326	
7,019,981	B2 *	3/2006	Heinemann	G06K 19/077 174/255	
7,051,128	B2 *	5/2006	Bando	710/100	
7,051,929	B2 *	5/2006	Li	235/380	
7,062,584	B1	6/2006	Worrell et al.		
7,063,267	B2 *	6/2006	Tsuchimoto	G06K 19/07745 235/441	
7,136,514	B1 *	11/2006	Wong	382/124	
7,140,550	B2 *	11/2006	Ramachandran	235/493	
7,184,093	B2	2/2007	Manning		
7,225,537	B2 *	6/2007	Reed	29/841	
7,252,242	B2 *	8/2007	Ho	235/492	
7,294,918	B2 *	11/2007	Wada et al.	257/679	
7,305,535	B2 *	12/2007	Harari et al.	711/164	
7,350,714	B2 *	4/2008	Wallace et al.	235/487	
D571,810	S *	6/2008	Ikeda	D14/437	
7,384,294	B2 *	6/2008	Washino et al.	439/326	
7,416,132	B2 *	8/2008	Takiar et al.	235/492	
7,469,420	B2	12/2008	Duffield et al.		
7,485,501	B2 *	2/2009	Takiar et al.	438/127	
D588,133	S *	3/2009	Nakamura	D14/436	
D588,134	S *	3/2009	Nakamura	D14/436	
7,508,942	B2	3/2009	Candelore		
7,520,052	B2 *	4/2009	Takahashi et al.	29/841	
7,530,495	B2 *	5/2009	Cooper	235/449	
7,552,876	B2 *	6/2009	Nishizawa et al.	235/492	
7,559,469	B2 *	7/2009	Noda et al.	235/441	
7,577,846	B2	8/2009	Kudelski et al.		
7,605,453	B2 *	10/2009	Stampka	G06K 19/07728 257/678	
7,647,641	B2	1/2010	Dubroeuq et al.		
7,659,606	B2 *	2/2010	Klatt	257/679	
7,673,805	B2 *	3/2010	Onishi	G06K 19/07 235/486	
7,784,693	B2 *	8/2010	Liao et al.	235/451	
7,793,848	B2 *	9/2010	Abe et al.	235/492	
7,810,718	B2 *	10/2010	Bonneau et al.	235/380	
7,828,207	B2 *	11/2010	Cooper	235/380	
7,864,540	B2 *	1/2011	Takiar	361/737	
7,871,007	B2 *	1/2011	Amiot	G06K 19/005 235/486	
7,871,011	B2 *	1/2011	Reignoux et al.	235/492	
7,913,916	B2 *	3/2011	Musial et al.	235/492	
7,922,097	B2 *	4/2011	Yoshikawa et al.	235/492	
7,925,016	B2	4/2011	Candelore		
D643,040	S *	8/2011	Sedio et al.	D14/436	
8,009,432	B2 *	8/2011	Su et al.	361/752	
8,022,526	B2 *	9/2011	Chall et al.	257/686	
8,064,205	B2 *	11/2011	Farhan et al.	361/737	
8,079,528	B2 *	12/2011	Song	G06K 19/07 235/380	
D667,442	S *	9/2012	Phelan	D14/492	
D669,478	S *	10/2012	Lepp et al.	D14/436	
D669,479	S *	10/2012	Lepp et al.	D14/436	
8,317,103	B1 *	11/2012	Foo et al.	235/449	
D681,640	S *	5/2013	Aoki et al.	D14/436	
8,451,122	B2 *	5/2013	Narendra et al.	340/572.1	
8,456,850	B2 *	6/2013	Kang et al.	361/737	
8,456,852	B2 *	6/2013	Xiao	G06K 19/07739 361/730	
D685,375	S	7/2013	Steinberger		
D686,214	S *	7/2013	Maus et al.	D14/436	
8,480,002	B2 *	7/2013	Poidomani et al.	235/492	
8,500,019	B2 *	8/2013	Poidomani et al.	235/449	
8,505,064	B2	8/2013	Hildebrand et al.		
8,608,082	B2 *	12/2013	Le Garrec et al.	235/492	
8,618,669	B2 *	12/2013	Furuta	257/777	
8,647,110	B2 *	2/2014	Choi et al.	425/577	
8,649,820	B2 *	2/2014	Schwandt et al.	455/557	
8,654,535	B2 *	2/2014	Lin et al.	361/737	
D701,864	S *	4/2014	Lepp et al.	D14/436	
D702,240	S *	4/2014	Lepp	D14/436	
D702,241	S *	4/2014	Lepp et al.	D14/436	
D703,208	S *	4/2014	Lepp	D14/436	
8,690,283	B2 *	4/2014	Pomerantz et al.	347/14	
8,700,833	B2 *	4/2014	Cedar et al.	710/104	
8,730,009	B2 *	5/2014	Barry	340/5.84	
D707,682	S *	6/2014	Florek	D14/436	
8,746,579	B1 *	6/2014	Cloutier et al.	235/492	
8,814,053	B2 *	8/2014	Narendra et al.	235/492	
8,936,199	B2 *	1/2015	Lepp	G06K 19/0719 235/487	
D729,808	S *	5/2015	Beals	D14/436	
2001/0011944	A1 *	8/2001	Garrido-Gadea et al.	340/5.86	
2001/0012366	A1	8/2001	Van Rijnsoever et al.		
2001/0018984	A1 *	9/2001	Takeda et al.	174/256	
2001/0050846	A1 *	12/2001	Cho	361/784	
2002/0003168	A1 *	1/2002	Takabayashi	235/492	
2002/0137502	A1 *	9/2002	Cronin et al.	455/419	
2002/0145049	A1 *	10/2002	Lasch et al.	235/488	
2003/0002577	A1	1/2003	Pinder		
2003/0059047	A1	3/2003	Iwamura		
2003/0085287	A1 *	5/2003	Gray	G06K 19/072 235/492	
2003/0091160	A1	5/2003	Enbom et al.		
2003/0153356	A1 *	8/2003	Liu	455/558	
2003/0179910	A1 *	9/2003	Wong	382/115	
2003/0194091	A1	10/2003	Wajs		
2003/0213849	A1 *	11/2003	Luu	235/492	
2004/0001591	A1	1/2004	Mani et al.		
2004/0124246	A1 *	7/2004	Allen et al.	235/492	
2004/0129785	A1 *	7/2004	Luu	235/486	
2004/0143716	A1 *	7/2004	Hong	711/170	
2004/0152392	A1 *	8/2004	Nakamura	445/25	
2004/0171192	A1 *	9/2004	Morimura et al.	438/113	
2004/0181800	A1	9/2004	Rakib et al.		
2004/0256150	A1 *	12/2004	Barchmann et al.	174/266	
2004/0260823	A1	12/2004	Tiwari et al.		
2005/0023361	A1 *	2/2005	Ikefuji et al.	235/492	

(56)

## References Cited

## U.S. PATENT DOCUMENTS

2005/0033688	A1 *	2/2005	Peart et al. ....	705/39	2009/0057417	A1 *	3/2009	Shinohara .....	G11C 5/14
2005/0061884	A1 *	3/2005	Stewart .....	G06K 7/0021	2009/0140415	A1 *	6/2009	Furuta .....	235/492
				235/441	2009/0144456	A1	6/2009	Gelf et al. ....	257/700
2005/0148121	A1 *	7/2005	Yamazaki et al. ....	438/149	2009/0156254	A1 *	6/2009	Montes .....	455/558
2005/0197169	A1 *	9/2005	Son .....	455/572	2009/0199283	A1	8/2009	Jain .....	
2005/0212657	A1 *	9/2005	Simon .....	340/5.74	2009/0244858	A1 *	10/2009	Di Sirio et al. ....	361/748
2005/0212690	A1 *	9/2005	Nishikawa .....	G06K 7/006	2009/0275170	A1 *	11/2009	Chen .....	438/106
				340/932.2	2010/0006322	A1 *	1/2010	Cheng .....	174/250
2005/0231921	A1 *	10/2005	Noda .....	G06K 7/0021	2010/0019038	A1 *	1/2010	Puente Baliarda et al. ....	235/439
				361/737	2010/0025480	A1 *	2/2010	Nishizawa .....	G06K 19/077
2005/0247784	A1 *	11/2005	Klatt .....	G06K 19/07741					235/492
				235/441	2010/0072284	A1 *	3/2010	Nishizawa et al. ....	235/492
2005/0252978	A1 *	11/2005	Nishizawa .....	G06K 19/072	2010/0117800	A1 *	5/2010	Li et al. ....	340/10.1
				235/492	2010/0136816	A1 *	6/2010	Ahn .....	439/331
2006/0026295	A1	2/2006	Iwamura .....		2010/0165589	A1 *	7/2010	Zhou .....	G06K 7/0021
2006/0043202	A1	3/2006	Kim et al. ....						361/759
2006/0058065	A1 *	3/2006	Shen et al. ....	455/558	2010/0169940	A1	7/2010	Howarter et al. ....	
2006/0072293	A1 *	4/2006	Peele .....	361/733	2010/0176207	A1 *	7/2010	Yoshikawa .....	G06K 19/077
2006/0131396	A1	6/2006	Blossom .....						235/492
2006/0133051	A1 *	6/2006	Calvas et al. ....	361/752	2010/0272257	A1	10/2010	Beals .....	
2006/0155913	A1 *	7/2006	Nishikawa et al. ....	711/100	2010/0327467	A1 *	12/2010	Hirabayashi .....	257/786
2006/0208077	A1 *	9/2006	Hirata .....	G06K 7/0021	2011/0010734	A1	1/2011	Newell .....	
				235/441	2011/0028184	A1 *	2/2011	Cooper .....	455/556.1
2006/0283946	A1 *	12/2006	Riester .....	G06K 13/08	2011/0138088	A1 *	6/2011	Sirio et al. ....	710/106
				235/441	2011/0259966	A1 *	10/2011	Phillips .....	235/492
2006/0286847	A1 *	12/2006	Zuo .....	H04B 1/3816	2011/0315779	A1 *	12/2011	Bidin et al. ....	235/492
				439/331	2012/0007096	A1 *	1/2012	Yamazaki .....	257/72
2007/0028260	A1	2/2007	Williams et al. ....		2012/0018522	A1 *	1/2012	Le Garrec et al. ....	235/492
2007/0060198	A1 *	3/2007	Kuo .....	455/558	2012/0048948	A1 *	3/2012	Bertin .....	G06K 19/07716
2007/0067820	A1	3/2007	Cha .....						235/492
2007/0117550	A1 *	5/2007	Boris et al. ....	455/414.1	2012/0138690	A1 *	6/2012	Bosquet et al. ....	235/492
2007/0121008	A1	5/2007	Kanoh .....		2012/0168517	A1 *	7/2012	Lee .....	H01Q 1/243
2007/0125855	A1 *	6/2007	Jiang .....	G06K 7/0021					235/492
				235/441	2012/0193435	A1 *	8/2012	Hanaoka .....	H01Q 1/2208
2007/0127185	A1 *	6/2007	Watanabe .....	361/143					235/492
2007/0138301	A1 *	6/2007	Cinkler .....	235/492	2012/0231650	A1 *	9/2012	Tian .....	G06K 7/0021
2007/0146542	A1	6/2007	Strasser .....						439/374
2007/0153487	A1 *	7/2007	Frallicciardi et al. ....	361/737	2012/0248201	A1 *	10/2012	Sutera .....	235/492
2007/0176622	A1 *	8/2007	Yamazaki .....	G06K 19/0728	2012/0267438	A1 *	10/2012	Kato et al. ....	235/492
				257/679	2012/0289196	A1 *	11/2012	Tan et al. ....	455/411
2007/0235545	A1 *	10/2007	Martinez .....	G06K 19/077	2012/0292395	A1 *	11/2012	Huang et al. ....	235/492
				235/486	2013/0008968	A1 *	1/2013	Launay .....	G06K 19/073
2007/0246536	A1 *	10/2007	Tuin .....	G06K 7/0021					235/492
				235/441	2013/0015441	A1 *	1/2013	Takayama .....	G06K 19/077
2007/0250872	A1	10/2007	Dua .....						257/49
2007/0262156	A1 *	11/2007	Chen et al. ....	235/492	2013/0112757	A1 *	5/2013	Lee .....	G06K 19/07767
2007/0266182	A1	11/2007	Lanning .....						235/492
2008/0020800	A1 *	1/2008	Xu .....	G06K 7/0021	2013/0134227	A1 *	5/2013	De Maquille et al. ....	235/492
				455/558	2013/0161390	A1 *	6/2013	Rodriquez .....	235/441
2008/0041952	A1 *	2/2008	Kang .....	G06K 19/07743	2013/0175346	A1 *	7/2013	Jenni .....	G06K 19/077
				235/441					235/492
2008/0062066	A1 *	3/2008	Arai .....	343/867	2013/0185566	A1	7/2013	Pang .....	
2008/0079565	A1 *	4/2008	Koyama .....	340/539.12	2013/0207781	A1 *	8/2013	Pagani et al. ....	340/10.1
2008/0083831	A1 *	4/2008	Perez Lafuente et al. ....	235/492	2013/0277434	A1 *	10/2013	Lin .....	235/492
2008/0094788	A1 *	4/2008	Choe .....	361/681	2013/0287267	A1 *	10/2013	Varone .....	382/115
2008/0096317	A1 *	4/2008	Middlekauff et al. ....	438/110	2013/0320088	A1 *	12/2013	Lin et al. ....	235/441
2008/0099559	A1 *	5/2008	Lo .....	G06K 19/07741	2013/0334320	A1 *	12/2013	Thill .....	G06K 19/07
				235/441					235/492
2008/0122894	A1 *	5/2008	Lee et al. ....	347/47	2014/0021264	A1 *	1/2014	Pueschner .....	H01L 23/49811
2008/0135626	A1 *	6/2008	Reignoux et al. ....	235/492					235/492
2008/0165962	A1	7/2008	Kawano et al. ....		2014/0042230	A1 *	2/2014	Pueschner et al. ....	235/492
2008/0174408	A1 *	7/2008	Takahashi .....	340/10.3	2014/0061316	A1 *	3/2014	Narayanaswami et al. ....	235/492
2008/0211074	A1 *	9/2008	Osako et al. ....	257/679	2014/0282685	A1 *	9/2014	Beals et al. ....	725/31
2008/0211302	A1 *	9/2008	Hirota et al. ....	307/1					
2008/0223937	A1 *	9/2008	Preta et al. ....	235/492					
2008/0257967	A1 *	10/2008	Nishizawa et al. ....	235/492					
2008/0257968	A1 *	10/2008	Nishizawa et al. ....	235/492					
2008/0279379	A1	11/2008	Muijen .....						
2008/0314983	A1 *	12/2008	Capurso et al. ....	235/441					
2009/0011538	A1 *	1/2009	Masumoto et al. ....	438/106					
2009/0032593	A1 *	2/2009	Ljungcrantz .....	C23C 30/00					
				235/441					
2009/0040695	A1 *	2/2009	Fidalgo .....	G06K 19/07739					
				361/679.31					

## FOREIGN PATENT DOCUMENTS

CN	201330395895.X	2/2014
CN	201330395780.0	4/2014
EP	0740478	10/1996
EP	1662361	5/2006
EP	2204997	7/2010
EP	2541959	1/2013
EP	001379556-0001	8/2013
EP	001379556-0005	8/2013
EP	001379556-0009	8/2013

(56)

**References Cited**

## FOREIGN PATENT DOCUMENTS

WO	2007/072211	6/2007
WO	WO 2011-120901	10/2011

## OTHER PUBLICATIONS

International Search Report and Written Opinion for PCT/US2013/039803, mailed Jan. 23, 2014, 13 pages.

Notice of Allowance for Chinese Patent Application No. 201330395635.2, mailed Dec. 2, 2013.

Notice of Allowance for Chinese Patent Application No. 201330395780.0, mailed Jan. 10, 2014.

Notice of Allowance for Chinese Patent Application No. 201330395895.X, mailed Nov. 19, 2013.

TW Patent Application No. 102304015, Office Action mailed Mar. 24, 2014, 3 pages.

TW Patent Application No. 102304016, Office Action mailed Mar. 24, 2014, 3 pages.

TW Patent Application No. 102304017, Office Action mailed Mar. 24, 2014, 3 pages.

International Standard (1999) "Information technology—Identification cards—Integrated circuit(s) cards with contacts—Part 2: Dimensions and location of the contacts" Reference No. ISO/IEC 7816-2:1999E, 11 pages.

U.S. Appl. No. 29/448,761, Non-final Rejection mailed Sep. 10, 2014, 26 pages.

U.S. Appl. No. 29/448,766, Notice of Allowance mailed Sep. 18, 2014, 28 pages.

U.S. Appl. No. 29/448,761, Amendment and Response filed Dec. 10, 2014, 6 pages.

U.S. Appl. No. 29/448,766, Notice of Allowance mailed Jan. 12, 2015, 36 pages.

U.S. Appl. No. 13/799,891, Non-final Rejection mailed Feb. 3, 2015, 22 pages.

U.S. Appl. No. 29/448,761, Non-final Rejection mailed Mar. 26, 2015, 12 pages.

U.S. Appl. No. 29/448,761, Amendment and Response filed Apr. 20, 2015, 9 pages.

U.S. Appl. No. 29/448,766, Notice of Allowance mailed Apr. 22, 2015, 5 pages.

U.S. Appl. No. 13/799,891, Amendment and Response filed Jul. 6, 2015, 13 pages.

U.S. Appl. No. 14/499,956, Non-Final Rejection mailed Jul. 30, 2015, 23 pages.

U.S. Appl. No. 14/500,037, Non-Final Rejection mailed Aug. 10, 2015, 20 pages.

U.S. Appl. No. 13/799,891, Final Rejection mailed Aug. 10, 2015, 14 pages.

U.S. Appl. No. 14/500,113, Non-Final Rejection mailed Aug. 12, 2015, 21 pages.

U.S. Appl. No. 29/448,761, Non-Final Rejection mailed Aug. 14, 2015, 7 pages.

U.S. Appl. No. 29/448,761, Notice of Allowance mailed Jan. 22, 2016, 6 pages.

U.S. Appl. No. 14/499,956, Final Rejection mailed Jan. 29, 2016, 8 pages.

U.S. Appl. No. 14/500,037, Final Rejection mailed Feb. 16, 2016, 9 pages.

U.S. Appl. No. 14/500,113, Final Rejection mailed Feb. 17, 2016, 8 pages.

U.S. Appl. No. 14/608,900, Non-Final Rejection mailed Mar. 21, 2016, 12 pages.

European Patent Application No. 15184485.9, EESR mailed Mar. 3, 2016, 9 pages.

\* cited by examiner

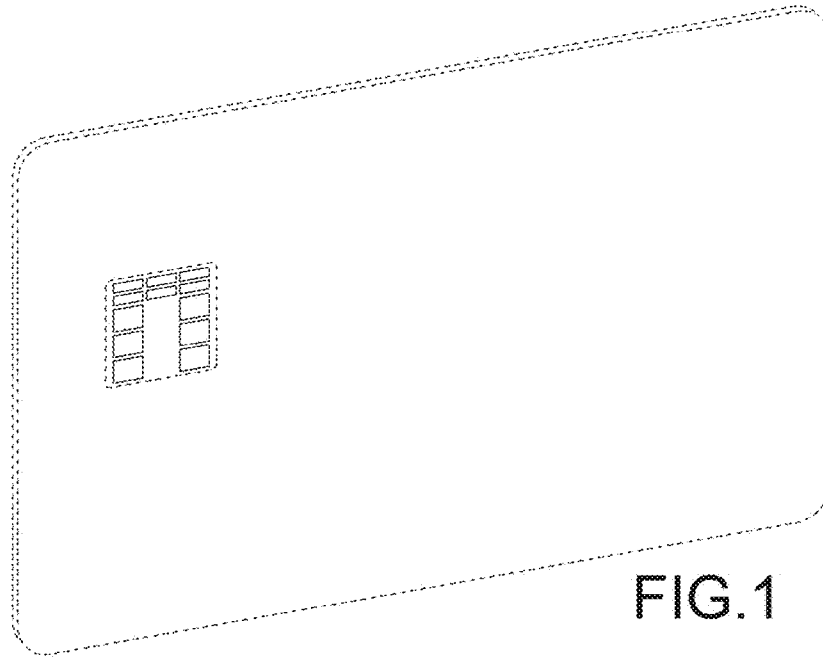


FIG. 1

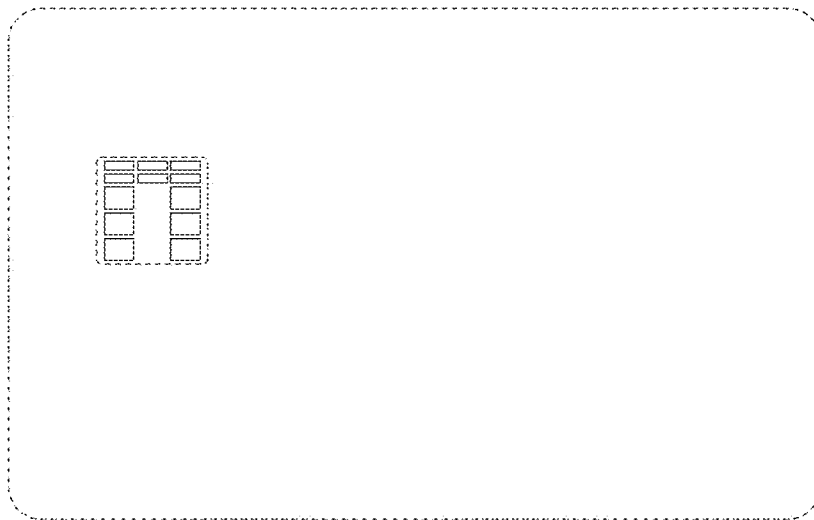


FIG. 2

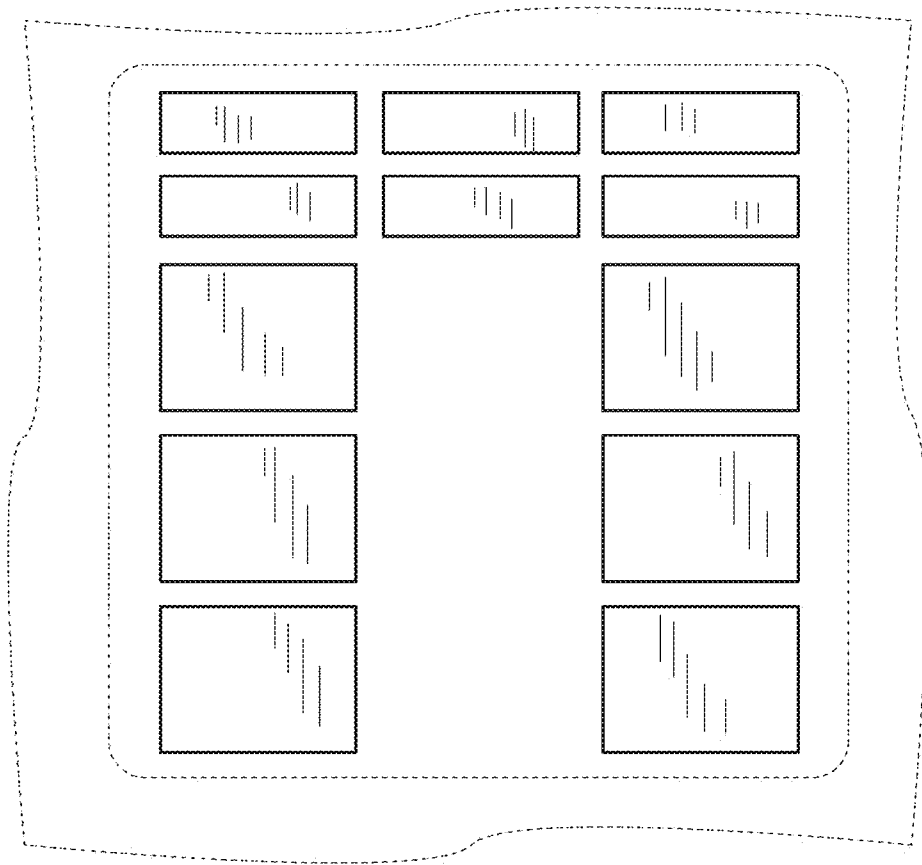


FIG.3