



(43) International Publication Date
11 October 2012 (11.10.2012)

- (51) International Patent Classification:
B65G 9/00 (2006.01) *B61K 7/06* (2006.01)
- (21) International Application Number:
PCT/US2012/031199
- (22) International Filing Date:
29 March 2012 (29.03.2012)
- (25) Filing Language: English
- (26) Publication Language: English
- (30) Priority Data:
61/471,326 4 April 2011 (04.04.2011) US
- (71) Applicant (for all designated States except US): **DEMAT-IC ACCOUNTING SERVICES GMBH** [DE/DE]; Carl-Legien-Str. 15, 63073 Offenbach (DE).
- (72) Inventors; and
(75) Inventors/Applicants (for US only): **HORTIG, Philipp J.** [DE/US]; 1375 Shaw Ct., N.E., Rockford, Michigan 49341 (US). **REHM, Pascal** [DE/DE]; Isarweg 30, 63456 Hanau (DE).
- (74) Agent: **BUKAHART, Frederick, S;** Gardner, Linn, Burkhardt & Flory, LLP, 2851 Charlevoix Dr., S.E., Suite 207, P.O. Box 888695, Grand Rapids, MI 49588-8695 (US).
- (81) Designated States (unless otherwise indicated, for every kind of national protection available): AE, AG, AL, AM,

AO, AT, AU, AZ, BA, BB, BG, BH, BR, BW, BY, BZ, CA, CH, CL, CN, CO, CR, CU, CZ, DE, DK, DM, DO, DZ, EC, EE, EG, ES, FI, GB, GD, GE, GH, GM, GT, HN, HR, HU, ID, IL, IN, IS, JP, KE, KG, KM, KN, KP, KR, KZ, LA, LC, LK, LR, LS, LT, LU, LY, MA, MD, ME, MG, MK, MN, MW, MX, MY, MZ, NA, NG, NI, NO, NZ, OM, PE, PG, PH, PL, PT, QA, RO, RS, RU, RW, SC, SD, SE, SG, SK, SL, SM, ST, SV, SY, TH, TJ, TM, TN, TR, TT, TZ, UA, UG, US, UZ, VC, VN, ZA, ZM, ZW.

(84) Designated States (unless otherwise indicated, for every kind of regional protection available): ARIPO (BW, GH, GM, KE, LR, LS, MW, MZ, NA, RW, SD, SL, SZ, TZ, UG, ZM, ZW), Eurasian (AM, AZ, BY, KG, KZ, MD, RU, TJ, TM), European (AL, AT, BE, BG, CH, CY, CZ, DE, DK, EE, ES, FI, FR, GB, GR, HR, HU, IE, IS, IT, LT, LU, LV, MC, MK, MT, NL, NO, PL, PT, RO, RS, SE, SI, SK, SM, TR), OAPI (BF, BJ, CF, CG, CI, CM, GA, GN, GQ, GW, ML, MR, NE, SN, TD, TG).

Declarations under Rule 4.17:

— of inventorship (Rule 4.17(iv))

Published:

— with international search report (Art. 21(3))

(88) Date of publication of the international search report:

21 March 2013

(54) Title: AISLE EMERGENCY BRAKE FOR RAIL-GUIDED VEHICLE

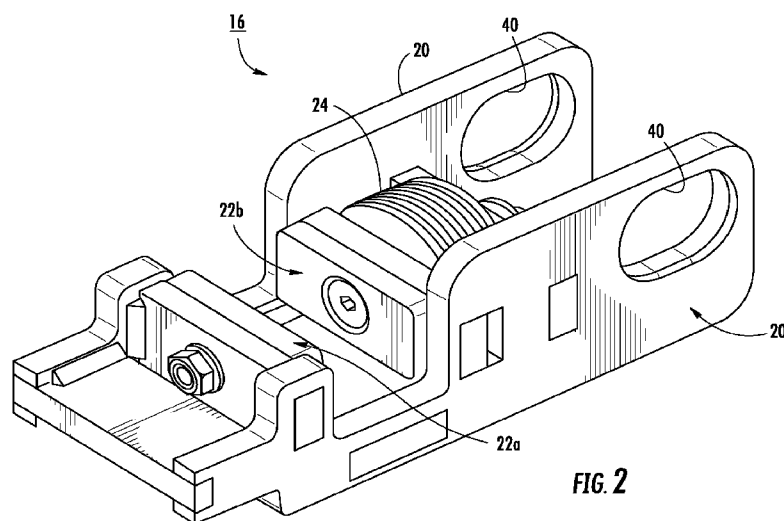


FIG. 2

(57) Abstract: An aisle emergency brake system for a vehicle that is adapted to travel on at least one rail includes a brake assembly and a stop assembly that are adapted to stop the vehicle when engaged with each other. If the brake assembly is mounted to the vehicle, the stop assembly is mounted to the rail, or vice versa. The brake assembly includes a pair of brake pads and a biasing mechanism. The brake pads are nominally spaced apart an operating distance and face each other in a facing direction. The biasing mechanism biases the brake pads toward each other to the operating distance. The stop assembly includes a body defining two surfaces. The two surfaces face outwardly and have stopping portions that are spaced apart more than the operating distance of the brake pads.



INTERNATIONAL SEARCH REPORT

International application No
PCT/US2012/031199

A. CLASSIFICATION OF SUBJECT MATTER
INV. B65G9/00 B61K7/06
ADD.
According to International Patent Classification (IPC) or to both national classification and IPC

B. FIELDS SEARCHED
Minimum documentation searched (classification system followed by classification symbols)
B65G B61K

Documentation searched other than minimum documentation to the extent that such documents are included in the fields searched

Electronic data base consulted during the international search (name of data base and, where practicable, search terms used)
EPO-Internal, WPI Data

C. DOCUMENTS CONSIDERED TO BE RELEVANT

Category*	Citation of document, with indication, where appropriate, of the relevant passages	Relevant to claim No.
A	US 1 865 788 A (GWYNNE RAYMOND) 5 July 1932 (1932-07-05) page 3, line 42 - page 3, line 73; figures 8-10	1-17
A	----- DE 20 59 635 A1 (SIEMENS AG) 8 June 1972 (1972-06-08) page 4, line 13 - page 6, line 11; figures 1-3	1-17
A	----- US 1 827 162 A (MILLER JOHN A) 13 October 1931 (1931-10-13) page 1, line 32 - page 2, line 86; figures 1-5	1-17

Further documents are listed in the continuation of Box C.

See patent family annex.

* Special categories of cited documents :

- "A" document defining the general state of the art which is not considered to be of particular relevance
- "E" earlier application or patent but published on or after the international filing date
- "L" document which may throw doubts on priority claim(s) or which is cited to establish the publication date of another citation or other special reason (as specified)
- "O" document referring to an oral disclosure, use, exhibition or other means
- "P" document published prior to the international filing date but later than the priority date claimed

- "T" later document published after the international filing date or priority date and not in conflict with the application but cited to understand the principle or theory underlying the invention
- "X" document of particular relevance; the claimed invention cannot be considered novel or cannot be considered to involve an inventive step when the document is taken alone
- "Y" document of particular relevance; the claimed invention cannot be considered to involve an inventive step when the document is combined with one or more other such documents, such combination being obvious to a person skilled in the art
- "&" document member of the same patent family

Date of the actual completion of the international search 26 November 2012	Date of mailing of the international search report 03/12/2012
--	---

Name and mailing address of the ISA/ European Patent Office, P.B. 5818 Patentlaan 2 NL - 2280 HV Rijswijk Tel. (+31-70) 340-2040, Fax: (+31-70) 340-3016	Authorized officer Schroeder, Rainer
--	--

INTERNATIONAL SEARCH REPORT

Information on patent family members

International application No

PCT/US2012/031199

Patent document cited in search report	Publication date	Patent family member(s)	Publication date
US 1865788	A	05-07-1932	NONE

DE 2059635	A1	08-06-1972	NONE

US 1827162	A	13-10-1931	NONE
