



US0D1069018S

(12) **United States Design Patent**  
**Bundy et al.**

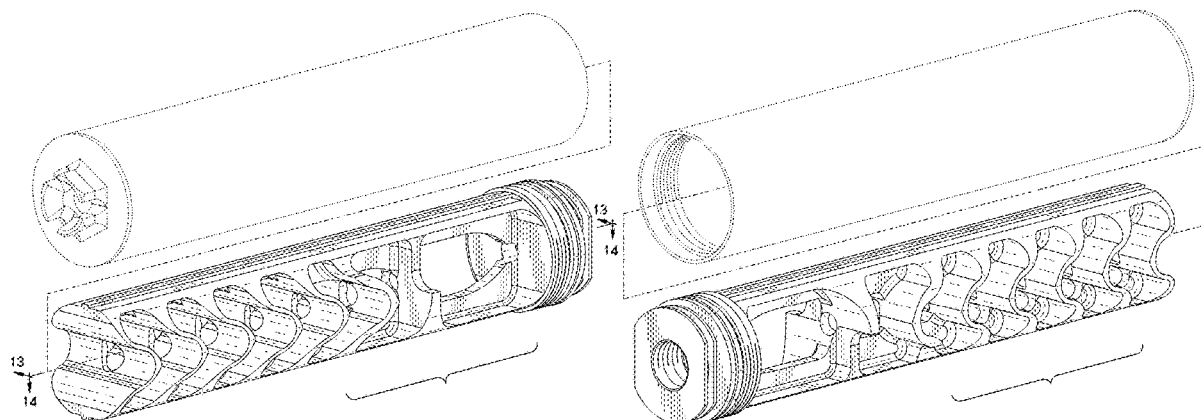
(10) **Patent No.:** **US D1,069,018 S**  
(45) **Date of Patent:** **\*\* \*Apr. 1, 2025**

- (54) **FIREARM SUPPRESSOR CORE**
- (71) Applicant: **Maxim Defense Industries, LLC**, St. Cloud, MN (US)
- (72) Inventors: **Travis Bundy**, St. Cloud, MN (US); **Oddbjorn Eken**, Prestfoss (NO)
- (73) Assignee: **Maxim Defense Industries, LLC**, St. Cloud, MN (US)
- (\* ) Notice: This patent is subject to a terminal disclaimer.
- (\*\*) Term: **15 Years**
- (21) Appl. No.: **29/812,871**
- (22) Filed: **Oct. 25, 2021**
- (51) **LOC (15) Cl.** ..... **22-01**
- (52) **U.S. Cl.**  
USPC ..... **D22/108**
- (58) **Field of Classification Search**  
USPC ..... D22/100, 101, 103, 108; D21/573  
CPC . F41G 1/00; F41G 1/22; F41G 11/003; F41A 21/26; F41A 35/04; F41A 35/02; F41C 23/00; F41C 23/06; F41C 23/20; F41C 23/14; F41C 23/16  
See application file for complete search history.

D415,812 S *	10/1999	Andrews, Jr. ....	D22/100
D415,813 S *	10/1999	O'Quinn .....	D22/100
D425,184 S	5/2000	Lidgett .....	
D435,623 S *	12/2000	Andrews, Jr. ....	D22/100
6,425,310 B1	7/2002	Champion .....	
6,516,698 B1	2/2003	Poff, Jr. ....	
6,722,254 B1	4/2004	Davies .....	
6,820,530 B2	11/2004	Vais .....	
D507,619 S	7/2005	Shiloni .....	
D594,082 S *	6/2009	O'Quinn .....	F41A 21/30 D22/108
7,677,150 B2	3/2010	Dater et al. ....	
D632,751 S	2/2011	Bowers et al. ....	
7,891,282 B1	2/2011	DeGroat .....	
7,905,171 B1	3/2011	Brittingham .....	
D641,450 S	7/2011	Ding .....	
D642,650 S	8/2011	Oliver .....	
D643,087 S	8/2011	Oliver .....	
7,987,944 B1 *	8/2011	Brittingham .....	F41A 21/30 89/14.4
8,015,908 B2 *	9/2011	Kline .....	F41A 21/30 89/14.4
D651,680 S *	1/2012	DeGroat .....	D22/108
8,087,338 B1	1/2012	Hines .....	
8,096,222 B2	1/2012	Silvers .....	
D657,012 S *	4/2012	Woodell .....	D22/108
8,156,855 B2	4/2012	Anderson .....	
8,186,261 B2	5/2012	McNeill et al. ....	
8,272,306 B1	9/2012	Smith .....	
8,291,805 B1	10/2012	Quilligan .....	
8,307,946 B1 *	11/2012	Johnston .....	F41A 21/30 89/14.3
D677,357 S *	3/2013	Dueck .....	D22/108
8,387,299 B1	3/2013	Brittingham et al. ....	
8,424,441 B2	4/2013	Brittingham et al. ....	
D682,384 S *	5/2013	Jaureguizar .....	D22/108
D682,974 S	5/2013	Honigmann .....	
D685,874 S *	7/2013	Andrews, Jr. ....	D22/108
8,474,361 B2	7/2013	Brittingham .....	
8,505,431 B2	8/2013	Hines .....	
8,505,680 B2 *	8/2013	Dueck .....	F41A 21/34 89/14.4
D694,355 S	11/2013	Hormann .....	
8,714,300 B2	5/2014	Johansen .....	
D709,140 S	7/2014	Coulter .....	
D712,997 S *	9/2014	Proske .....	D22/108
8,820,473 B1	9/2014	White .....	
8,881,862 B1	11/2014	Messer, Jr. ....	
D719,646 S	12/2014	Melo .....	
8,950,546 B2	2/2015	Shults et al. ....	
D723,647 S *	3/2015	Oliver .....	D22/108
8,973,481 B2	3/2015	Dueck .....	
8,978,818 B2	3/2015	Proske .....	

(56) **References Cited**  
**U.S. PATENT DOCUMENTS**

2,143,596 A	1/1939	Galliot et al.
2,351,037 A	6/1944	Green
4,375,136 A	3/1983	Pedgonay
4,530,417 A	7/1985	Daniel
4,813,333 A	3/1989	Garris et al.
4,893,426 A	1/1990	Bixler
5,305,677 A	4/1994	Kleinguenther et al.
5,559,302 A	9/1996	Latka
RE35,381 E	11/1996	Rose
5,596,161 A	1/1997	Sommers
5,631,438 A	5/1997	Martel
D384,389 S	9/1997	Cyktich
5,685,102 A	11/1997	Latka



US D1,069,018 S

D728,058 S *	4/2015	Cheney .....	D22/108	11,326,849 B2	5/2022	Edminster	
8,997,621 B1	4/2015	Dater et al.		D955,524 S *	6/2022	Spector .....	D22/108
D741,443 S *	10/2015	Cheney .....	F41A 21/30	D963,100 S *	9/2022	Green .....	D22/108
			D22/108	D969,258 S *	11/2022	DeJessa .....	D22/108
D743,007 S	11/2015	Kimura		D972,476 S	12/2022	Gromova	
9,175,919 B2	11/2015	Russell et al.		11,530,890 B2	12/2022	Wheeler et al.	
9,207,033 B2	12/2015	Vais		11,609,058 B2	3/2023	Petersen	
9,239,201 B1	1/2016	Reis Green		11,680,764 B1	6/2023	Bray	
D761,373 S *	7/2016	Lessard .....	D22/108	11,686,547 B2	6/2023	Kras	
D764,621 S *	8/2016	Dueck .....	D22/108	11,725,897 B2	8/2023	Washburn, III et al.	
9,410,761 B2	8/2016	Morris et al.		11,774,205 B1	10/2023	Kunsky	
D767,076 S	9/2016	Bebee		D1,019,868 S	3/2024	Grob	
D767,706 S *	9/2016	Shults .....	D22/108	D1,020,965 S *	4/2024	Bundy .....	D22/108
D773,587 S	12/2016	Underwood		D1,035,816 S *	7/2024	Bundy .....	D21/573
9,513,078 B1	12/2016	Fulton et al.		D1,036,611 S *	7/2024	Bundy .....	D21/573
D776,226 S *	1/2017	Green .....	D22/108	D1,050,337 S *	11/2024	Bundy .....	D22/108
D778,386 S	2/2017	Farthing et al.		2008/0148928 A1	6/2008	McClellan	
D778,387 S	2/2017	Farthing		2009/0139795 A1	6/2009	Brittingham	
D779,618 S	2/2017	Farthing		2010/0294118 A1	11/2010	Hortobagyi	
D782,598 S *	3/2017	Faxon .....	D22/108	2010/0313743 A1*	12/2010	Dueck .....	F41A 21/325
9,658,019 B2	5/2017	Smith					89/14.05
D788,873 S	6/2017	Wiley		2011/0072958 A1	3/2011	Brittingham et al.	
D789,480 S	6/2017	Olsen		2011/0271575 A1	11/2011	Overbeek Bloem et al.	
D790,647 S *	6/2017	Miller, III .....	D22/108	2012/0048100 A1	3/2012	Davies	
D790,648 S *	6/2017	Pezeshk .....	D22/108	2012/0167749 A1	7/2012	Young	
D792,545 S	7/2017	Green et al.		2012/0228052 A1	9/2012	Findlay	
9,709,354 B2	7/2017	Larue		2012/0279381 A1	11/2012	Landolt	
9,739,559 B2	8/2017	Bush		2013/0312592 A1	11/2013	Storrs et al.	
9,739,560 B1	8/2017	Salvador		2014/0237881 A1	8/2014	Mack	
9,746,267 B2*	8/2017	Smith .....	F41A 21/30	2014/0262604 A1	9/2014	Proске	
9,791,247 B2	10/2017	Parker		2015/0260473 A1	9/2015	Barney	
D802,699 S *	11/2017	Shults .....	D22/108	2016/0054086 A1	2/2016	Westlake	
D802,700 S *	11/2017	Shults .....	D22/108	2016/0109205 A1	4/2016	Coppinger	
D807,461 S	1/2018	Cheng et al.		2016/0161203 A1	6/2016	Wilson	
D808,490 S	1/2018	Meinert		2016/0370157 A1	12/2016	Parker	
D810,224 S *	2/2018	Lessard .....	D22/108	2017/0067711 A1	3/2017	Slack	
D811,513 S *	2/2018	Payton .....	D22/108	2017/0102201 A1	4/2017	Bush	
9,933,224 B2	4/2018	Dorne		2017/0102012 A1	6/2017	Fischer et al.	
9,958,227 B2	5/2018	Whitson		2017/0102132 A1	6/2017	Fischer et al.	
10,024,617 B1*	7/2018	Moore .....	F41A 21/30	2017/0160034 A1	6/2017	Parker	
D825,845 S	8/2018	Dittmer et al.		2017/0205175 A1	7/2017	Garst et al.	
10,060,695 B2	8/2018	Slack		2017/0261281 A1	9/2017	Salvador	
10,119,779 B1	11/2018	Miele		2017/0321984 A1	11/2017	Palu et al.	
10,156,411 B2	12/2018	Thompson et al.		2018/0031346 A1	2/2018	Washburn, III et al.	
D837,922 S *	1/2019	McDonald .....	D22/108	2018/0120045 A1	5/2018	Rost	
10,184,744 B2	1/2019	Young et al.		2018/0128566 A1	5/2018	Reis Green	
10,184,745 B1	1/2019	Fulton		2018/0252489 A1	9/2018	Parker	
D842,419 S *	3/2019	Edminster .....	D22/108	2018/0299222 A1*	10/2018	Albino .....	F41A 21/30
10,228,210 B2	3/2019	Parker		2018/0299223 A1	10/2018	Barrett	
10,281,228 B1	5/2019	Marfione		2018/0321008 A1	11/2018	Barney	
10,330,417 B2	6/2019	Reis Green et al.		2019/0063860 A1	2/2019	Walker	
10,330,419 B1	6/2019	Hilderby		2019/0072353 A1	3/2019	Slack	
10,345,070 B1	7/2019	Lepka		2019/0072354 A1*	3/2019	Lee .....	F41A 21/325
10,393,463 B1	8/2019	Sanders et al.		2019/0078852 A1	3/2019	Peknik	
D860,372 S *	9/2019	Riley .....	D22/108	2019/0128632 A1	5/2019	Christanl et al.	
10,480,884 B2	11/2019	Smith		2019/0226787 A1	7/2019	Orne	
10,480,888 B2	11/2019	Barrett		2019/0249942 A1	8/2019	Dunham	
10,598,458 B1	3/2020	Cler		2019/0293376 A1	9/2019	Crown	
10,605,558 B1	3/2020	Marfione et al.		2019/0353446 A1	11/2019	Kras	
10,619,962 B1	4/2020	Hatfield		2020/0072571 A1	3/2020	Washburn, III et al.	
10,663,246 B1	5/2020	Gelernter		2020/0232740 A1	6/2020	Honigmann	
D886,230 S *	6/2020	Green .....	D22/108	2020/0240736 A1	6/2020	Moore	
10,724,569 B2	7/2020	Windfeldt et al.		2020/0224989 A1	7/2020	Bundy et al.	
10,724,817 B2	7/2020	Miele		2020/0232741 A1	7/2020	Hood, II	
10,753,699 B2	8/2020	Klett et al.		2020/0248980 A1	8/2020	Bragais	
10,801,796 B2	10/2020	Kras		2020/0284540 A1	9/2020	Doerr	
10,809,032 B1	10/2020	Thomas et al.		2020/0284541 A1	9/2020	Poling	
10,969,187 B2	4/2021	DeJessa		2021/0003360 A1*	1/2021	Kras .....	F41A 21/30
10,996,015 B2	5/2021	Lee		2021/0018287 A1	1/2021	Kada et al.	
11,035,637 B2	6/2021	Barney		2021/0310761 A1	10/2021	Sogaard	
11,041,687 B2	6/2021	Wheeler et al.		2021/0381792 A1	12/2021	Young	
11,085,725 B2	8/2021	Moore		2021/0389074 A1	12/2021	Reis Green et al.	
11,092,399 B2	8/2021	Washburn, III et al.		2021/0389077 A1	12/2021	Turnblom	
11,156,423 B2	10/2021	Winterseth		2022/0049920 A1	2/2022	Kras	
11,221,189 B1	1/2022	Couvillion		2022/0057160 A1	2/2022	Johns	
11,243,040 B2	2/2022	Honigmann et al.		2022/0397361 A1	12/2022	DeJessa	
11,255,623 B2	2/2022	Kras		2022/0397362 A1	12/2022	DeJessa	
11,287,207 B2	3/2022	DeJessa					
D953,470 S	5/2022	Windfeldt et al.					

2022/0397363 A1 12/2022 DeJessa  
 2023/0175802 A1\* 6/2023 Bundy ..... F41A 21/30  
 89/14.4  
 2024/0328738 A1\* 10/2024 Bundy ..... F41A 21/325

FOREIGN PATENT DOCUMENTS

CH	146859-0003	7/2022
CH	146859-0004	7/2022
DE	10 20110639	9/2012
DE	10 20110639 A1	9/2012
GB	6219496	10/2022
IL	69107	5/2023
IL	69110	5/2023
NO	2022000000645-0003	7/2022
NO	2022000000645-0004	7/2022
NZ	430784-0001	7/2022
WO	WO 2017/102012 A1	6/2017
WO	WO 2017/102132 A1	6/2017
WO	WO 2023/064649 A2	4/2023
WO	WO 2023/064649 A3	8/2023
WO	WO 2023/220485 A2	11/2023

OTHER PUBLICATIONS

“Maxim Quiet: Maxim Defense Moving to Dominate Suppressor Game” [online]. soldiersystems.net. [Published May 6, 2022]. Retrieved from the Internet: <<https://soldiersystems.net/2022/05/06/maxim-quiet-maxim-defense-moving-to-dominate-suppressor-game/>>.\*  
 “The Suppressor: How It’s Made, How It Works And How To Buy One” [online]. Patrick Sweeney. [Published Nov. 14, 2017]. Retrieved from the Internet: <<https://gundigest.com/gear-ammo/suppressors/suppressors-work-made>>.\*

\* cited by examiner

Primary Examiner — Mojtaba Tehrani  
 (74) Attorney, Agent, or Firm — Law Office of Arthur M. Antonelli, PLLC

(57) CLAIM

The ornamental design for a firearm suppressor core, as shown and described.

DESCRIPTION

FIG. 1 is a top, front, right side perspective view of a firearm suppressor core in accordance with our new design;

FIG. 2 is a top, rear, left side perspective view of the firearm suppressor core of FIG. 1;

FIG. 3 is a top view of the firearm suppressor core of FIG. 1;

FIG. 4 is a bottom view of the firearm suppressor core of FIG. 1;

FIG. 5 is a front view of the firearm suppressor core of FIG. 1;

FIG. 6 is a rear view of the firearm suppressor core of FIG. 1;

FIG. 7 is a left side perspective view of the firearm suppressor core of FIG. 1;

FIG. 8 is a right side view of the firearm suppressor core of FIG. 1;

FIG. 9 is a top, front, left side view of the firearm suppressor core of FIG. 1;

FIG. 10 is a bottom, rear, right side perspective view of the firearm suppressor core of FIG. 1;

FIG. 11 is a top, rear, right side perspective view of the firearm suppressor core of FIG. 1;

FIG. 12 is a front, left side perspective view of the firearm suppressor core of FIG. 1;

FIG. 13 is a cross-sectional view of the firearm suppressor core of FIG. 1, along line 13-13;

FIG. 14 is a cross-sectional view of the firearm suppressor core of FIG. 1, along line 14-14;

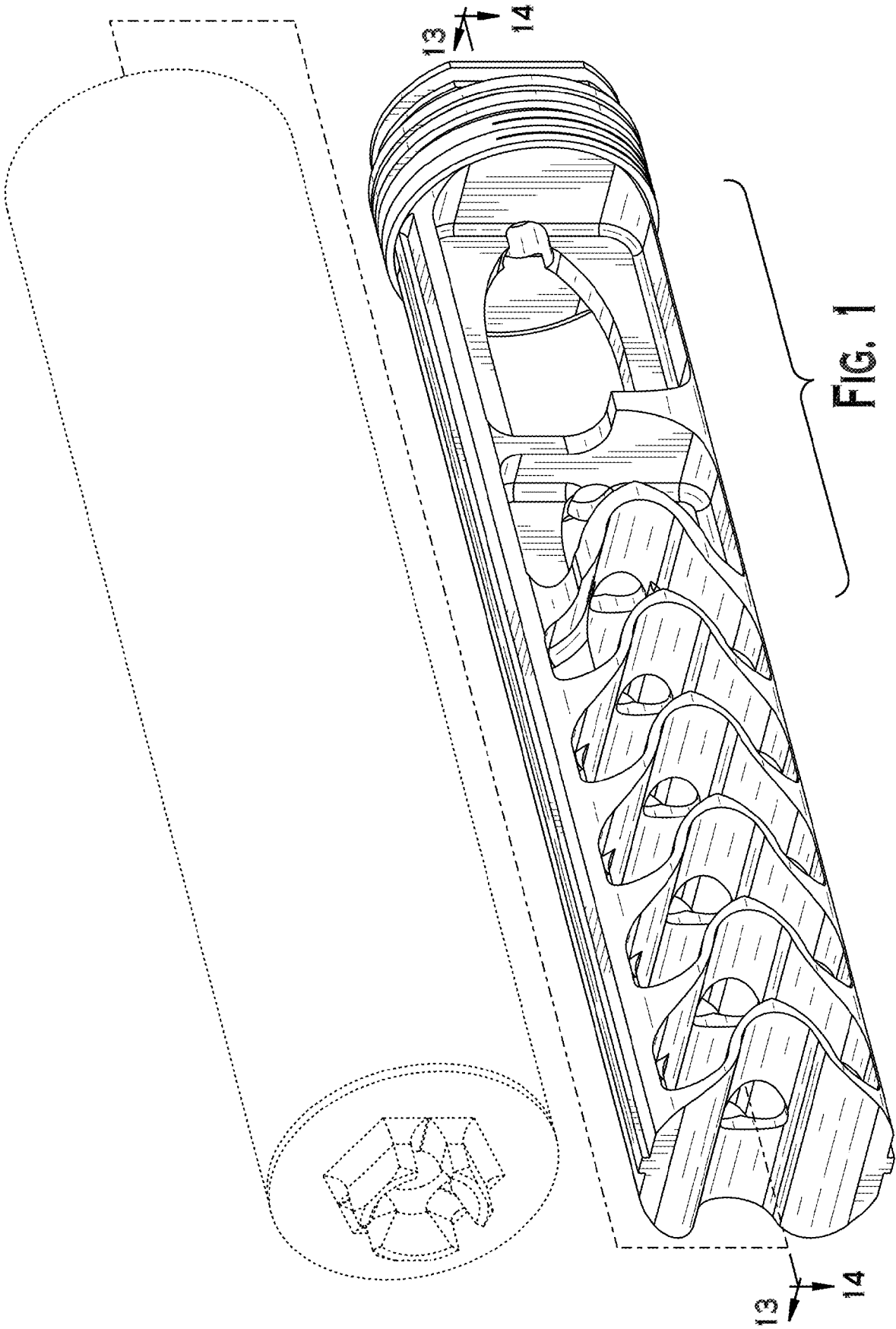
FIG. 15 is a cross-sectional view of the firearm suppressor core of FIG. 7, along line 15-15;

FIG. 16 is a cross-sectional view of the firearm suppressor core of FIG. 7, along line 16-16; and,

FIG. 17 is a cross-sectional view of the firearm suppressor core of FIG. 7, along line 17-17.

The broken lines immediately adjacent the shaded areas represent the bounds of the claimed design. All broken lines are directed to environment and are for illustrative purposes only and form no part of the claimed design.

1 Claim, 8 Drawing Sheets



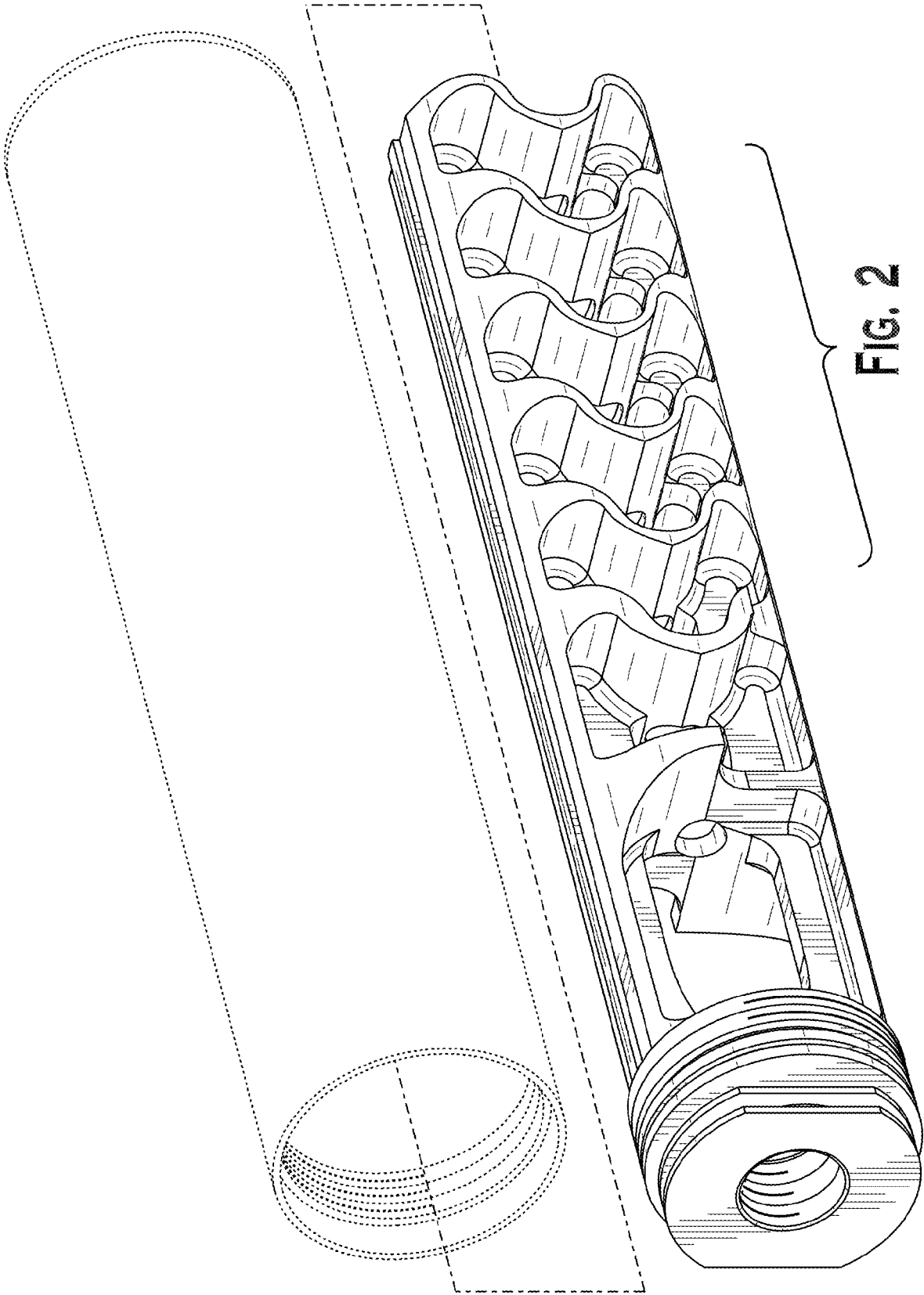


FIG. 2

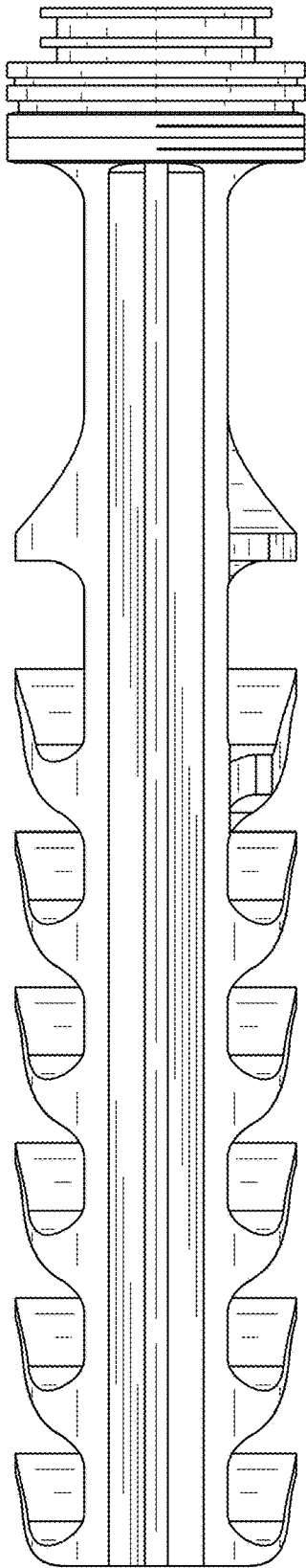


FIG. 3

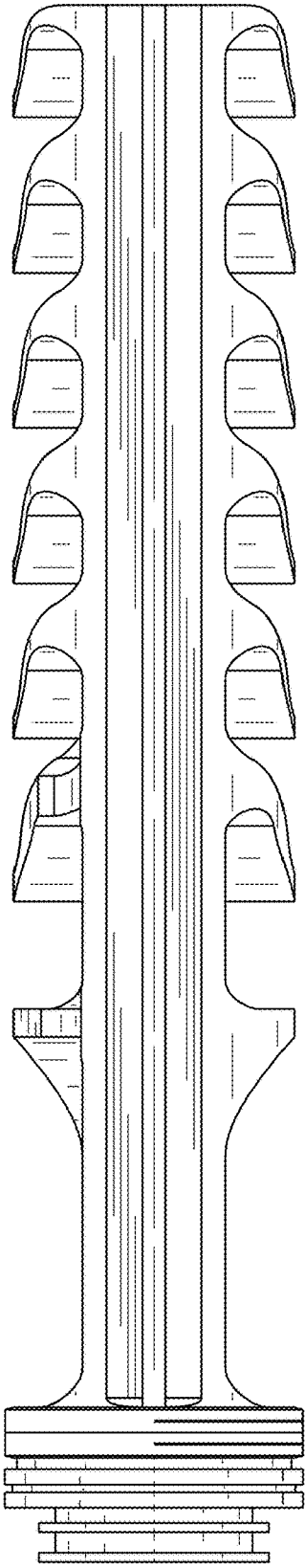


FIG. 4

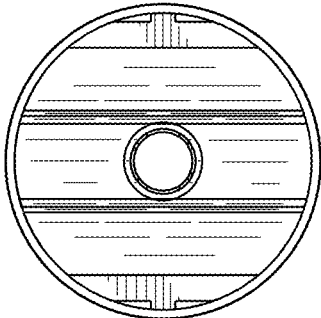


FIG. 5

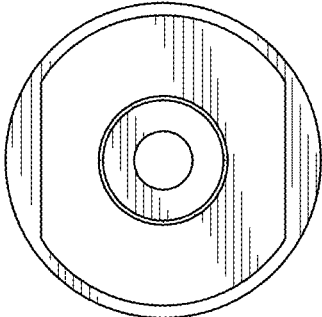


FIG. 6

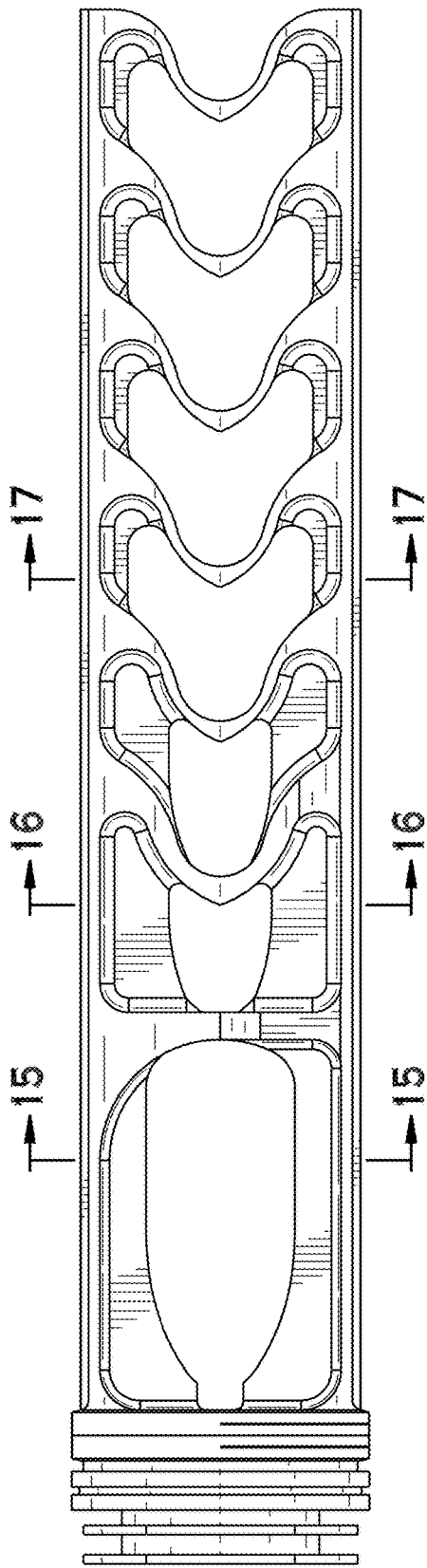


FIG. 7

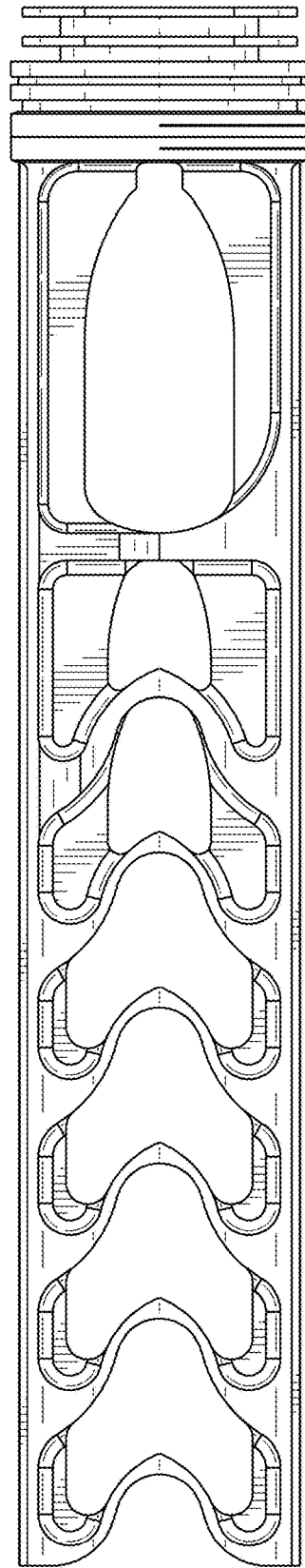


FIG. 8

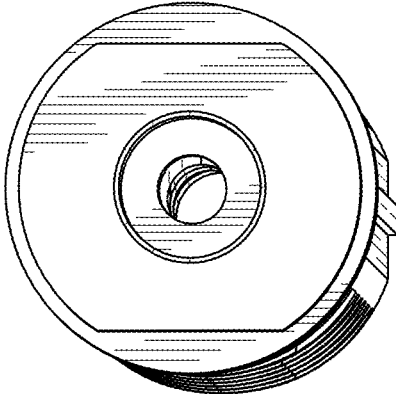


FIG. 9

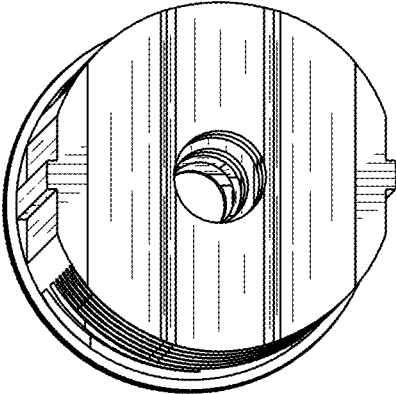


FIG. 10

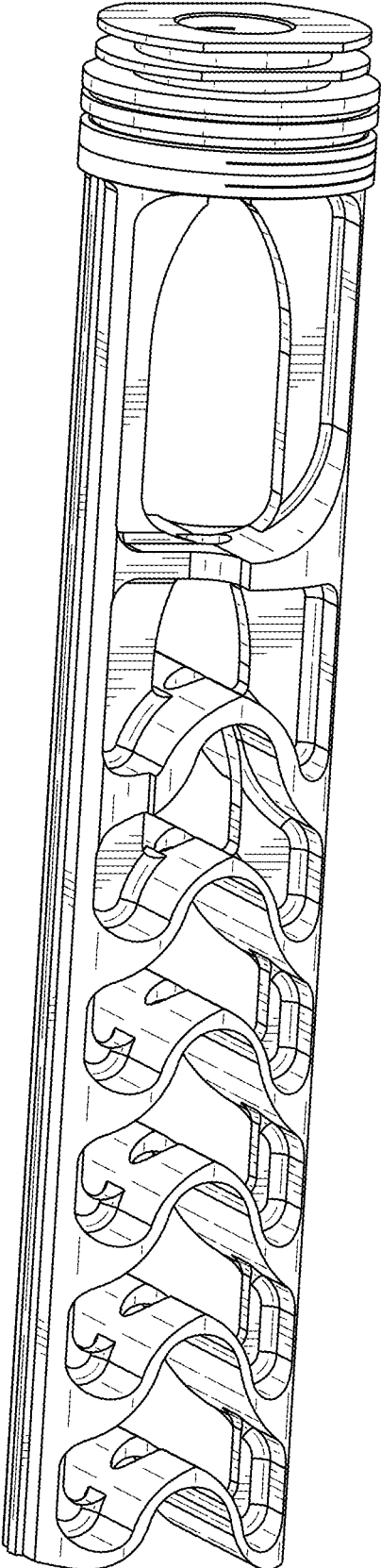


FIG. 11

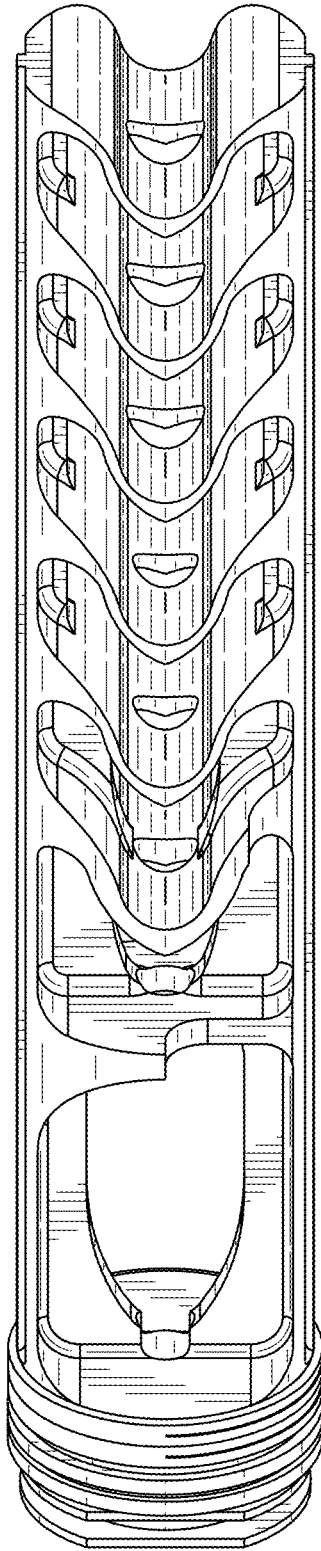


FIG. 12

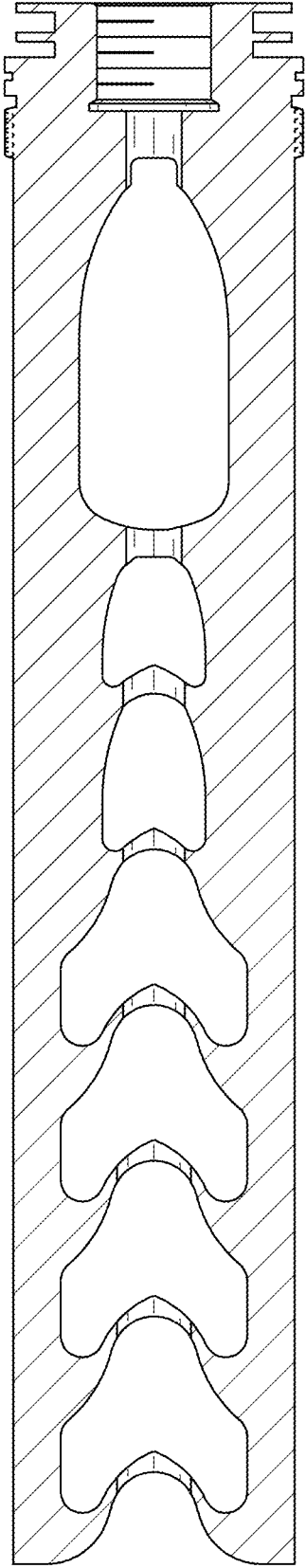


FIG. 13

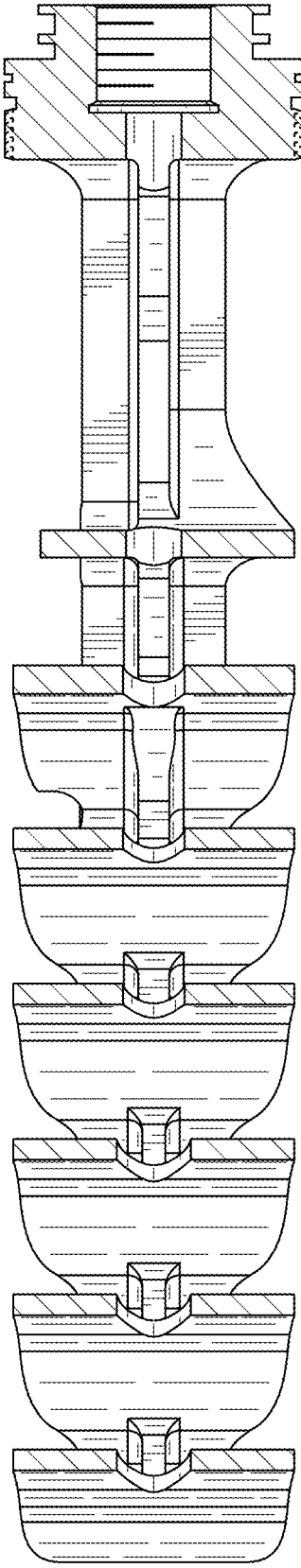


FIG. 14

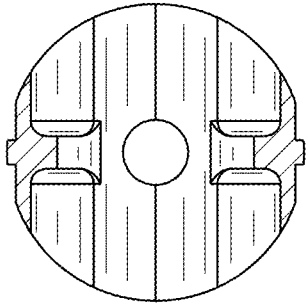


FIG. 17

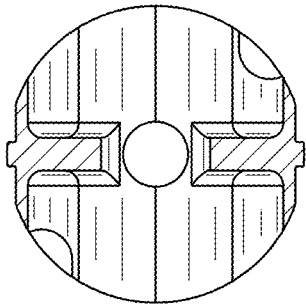


FIG. 16

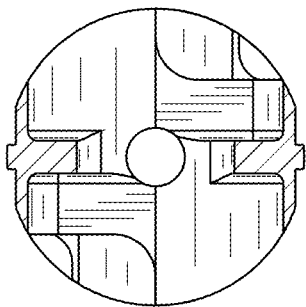


FIG. 15