

(19) World Intellectual Property Organization  
International Bureau



(43) International Publication Date  
8 February 2007 (08.02.2007)

PCT

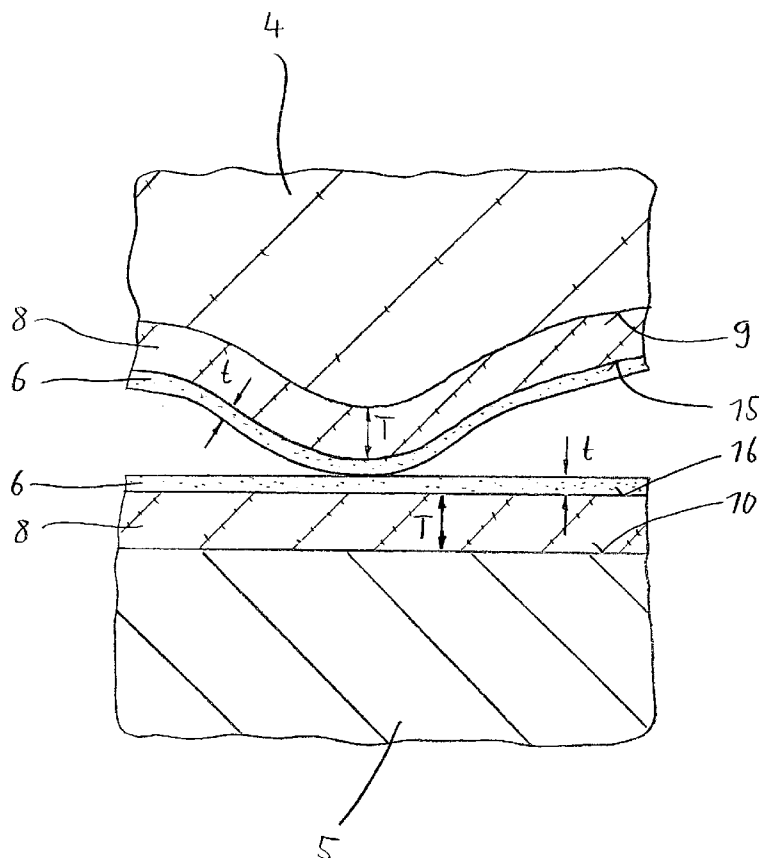
(10) International Publication Number  
**WO 2007/014731 A3**

- (51) International Patent Classification:  
F16C 33/76 (2006.01)
- (21) International Application Number:  
PCT/EP2006/007548
- (22) International Filing Date: 29 July 2006 (29.07.2006)
- (25) Filing Language: English
- (26) Publication Language: English
- (30) Priority Data:  
05016650.3 1 August 2005 (01.08.2005) EP
- (71) Applicant (for all designated States except US): **AB SKF**  
[SE/SE]; Hornsgatan 1, S-415 50 Gothenburg (SE).
- (72) Inventors; and
- (75) Inventors/Applicants (for US only): **HORTON, Steuart**  
[NL/NL]; Laan van Vollenhoven 2907, NL-3451 Zeist  
(NL). **HULTMAN, Lars** [SE/SE]; Uvebergsvägen 20,  
S-589 31 Linköping (SE).
- (74) Agent: **GOSDIN, Michael**; Graf-Berthold-Strasse 1,  
97422 Schweinfurt (DE).

- (81) Designated States (unless otherwise indicated, for every kind of national protection available): AE, AG, AL, AM, AT, AU, AZ, BA, BB, BG, BR, BW, BY, BZ, CA, CH, CN, CO, CR, CU, CZ, DE, DK, DM, DZ, EC, EE, EG, ES, FI, GB, GD, GE, GH, GM, HN, HR, HU, ID, IL, IN, IS, JP, KE, KG, KM, KN, KP, KR, KZ, LA, LC, LK, LR, LS, LT, LU, LV, LY, MA, MD, MG, MK, MN, MW, MX, MZ, NA, NG, NI, NO, NZ, OM, PG, PH, PL, PT, RO, RS, RU, SC, SD, SE, SG, SK, SL, SM, SY, TJ, TM, TN, TR, TT, TZ, UA, UG, US, UZ, VC, VN, ZA, ZM, ZW.
  - (84) Designated States (unless otherwise indicated, for every kind of regional protection available): ARIPO (BW, GH, GM, KE, LS, MW, MZ, NA, SD, SL, SZ, TZ, UG, ZM, ZW), Eurasian (AM, AZ, BY, KG, KZ, MD, RU, TJ, TM), European (AT, BE, BG, CH, CY, CZ, DE, DK, EE, ES, FI, FR, GB, GR, HU, IE, IS, IT, LT, LU, LV, MC, NL, PL, PT, RO, SE, SI, SK, TR), OAPI (BF, BJ, CF, CG, CI, CM, GA, GN, GQ, GW, ML, MR, NE, SN, TD, TG).
- Published:**  
— with international search report

[Continued on next page]

(54) Title: SEALING DEVICE AND METHOD OF PRODUCING THE SAME



(57) Abstract: The invention relates to a sealing device (1) for sealing a first side (2) against a second side (3) of a machine part, wherein the sealing device (1) has a sealing element (4) which contacts a counter element (5). To improve the properties of the sealing device during its use, the proposed sealing device is characterized in that at least a part of the sealing element (4) and/or at least a part of the counter element (5) is coated with a layer (6) consisting of or containing fullerene-like carbon nitride (FL-CN<sub>x</sub>), wherein an inter-layer (8) of chromium (Cr) or aluminium (Al) or molybdenum (Mo) or titanium (Ti) or tungsten (W) or a diamond-like coating (DLC) or a metal-mix diamond-like coating (Me-DLC) is arranged between the surface (9) of the sealing element (4) and the layer (6) consisting of or containing fullerene-like carbon nitride and/or between the surface (10) of the counter element (5) and the layer (6) consisting of or containing fullerene-like carbon nitride.

WO 2007/014731 A3



— *before the expiration of the time limit for amending the claims and to be republished in the event of receipt of amendments*

*For two-letter codes and other abbreviations, refer to the "Guidance Notes on Codes and Abbreviations" appearing at the beginning of each regular issue of the PCT Gazette.*

**(88) Date of publication of the international search report:**

7 June 2007

## INTERNATIONAL SEARCH REPORT

International application No  
PCT/EP2006/007548A. CLASSIFICATION OF SUBJECT MATTER  
INV. F16C33/76

According to International Patent Classification (IPC) or to both national classification and IPC

## B. FIELDS SEARCHED

Minimum documentation searched (classification system followed by classification symbols)  
F16C C01B C22C C23C

Documentation searched other than minimum documentation to the extent that such documents are included in the fields searched

Electronic data base consulted during the international search (name of data base and, where practical, search terms used)

EPO-Internal, WPI Data, COMPENDEX, INSPEC

## C. DOCUMENTS CONSIDERED TO BE RELEVANT

Category*	Citation of document, with indication, where appropriate, of the relevant passages	Relevant to claim No.
Y	EP 1 002 964 A (SKF NOVA AB [SE]) 24 May 2000 (2000-05-24)  paragraphs [0009] - [0012]	1-6, 9-12, 19-22
Y	SE 9 702 676 L (FORSKARPATENT I LINKOEPING AB [SE]) 10 January 1999 (1999-01-10)	1-6, 9-12, 19-22
A	abstract	7,8
Y	DATABASE COMPENDEX [Online] ENGINEERING INFORMATION, INC., NEW YORK, NY, US; HULTMAN LARS ET AL: "Fullerene-like carbon nitride: A resilient coating material" XP002359911 Database accession no. E2003147424092 cited in the application	9,19
A	abstract  -/--	13-18,23

 Further documents are listed in the continuation of Box C. See patent family annex.

## \* Special categories of cited documents :

- \*A\* document defining the general state of the art which is not considered to be of particular relevance
- \*E\* earlier document but published on or after the international filing date
- \*L\* document which may throw doubts on priority claim(s) or which is cited to establish the publication date of another citation or other special reason (as specified)
- \*O\* document referring to an oral disclosure, use, exhibition or other means
- \*P\* document published prior to the international filing date but later than the priority date claimed

- \*T\* later document published after the international filing date or priority date and not in conflict with the application but cited to understand the principle or theory underlying the invention
- \*X\* document of particular relevance; the claimed invention cannot be considered novel or cannot be considered to involve an inventive step when the document is taken alone
- \*Y\* document of particular relevance; the claimed invention cannot be considered to involve an inventive step when the document is combined with one or more other such documents, such combination being obvious to a person skilled in the art.
- \*Z\* document member of the same patent family

Date of the actual completion of the international search

28 March 2007

Date of mailing of the international search report

16/04/2007

Name and mailing address of the ISA/

European Patent Office, P.B. 5818 Patentlaan 2  
NL - 2280 HV Rijswijk  
Tel. (+31-70) 340-2040, Tx. 31 651 epo nl,  
Fax: (+31-70) 340-3016

Authorized officer

Maukonen, Kalle

## INTERNATIONAL SEARCH REPORT

International application No

PCT/EP2006/007548

C(Continuation). DOCUMENTS CONSIDERED TO BE RELEVANT

Category*	Citation of document, with indication, where appropriate, of the relevant passages	Relevant to claim No.
	& MRS BULL; MRS BULLETIN MARCH 2003, vol. 28, no. 3, March 2003 (2003-03), pages 194-202+165, -----	
Y A	US 6 517 249 B1 (DOLL GARY L [US]) 11 February 2003 (2003-02-11) column 2, lines 14-18 column 3, lines 29-33 -----	10-12, 20-22 13,23
A	WO 99/14512 A (SKF IND TRADING & DEV [NL]; HORTON STUART ALEXANDER LESLIE [NL]; VIJGE) 25 March 1999 (1999-03-25) cited in the application -----	
A	DE 196 04 334 C1 (DRESDEN EV INST FESTKOERPER [DE]) 31 October 1996 (1996-10-31) -----	

## INTERNATIONAL SEARCH REPORT

Information on patent family members

International application No

PCT/EP2006/007548

Patent document cited in search report	Publication date	Patent family member(s)	Publication date
EP 1002964	A	24-05-2000	CN 1254061 A 24-05-2000
			JP 3383850 B2 10-03-2003
			JP 2000161371 A 13-06-2000
			SE 9803957 A 19-05-2000
			US 6234679 B1 22-05-2001
SE 9702676	L	NONE	
US 6517249	B1	11-02-2003	AT 266105 T 15-05-2004
			AU 7498801 A 17-12-2001
			DE 60103152 D1 09-06-2004
			DE 60103152 T2 18-11-2004
			EP 1290239 A2 12-03-2003
			WO 0194657 A2 13-12-2001
WO 9914512	A	25-03-1999	CN 1269875 A 11-10-2000
			DE 69812389 D1 24-04-2003
			DE 69812389 T2 21-08-2003
			EP 1015780 A1 05-07-2000
			JP 2001516857 T 02-10-2001
			NL 1007046 C2 17-03-1999
			RU 2231695 C2 27-06-2004
			US 6340245 B1 22-01-2002
DE 19604334	C1	31-10-1996	NONE