

(19) World Intellectual Property Organization
International Bureau



(43) International Publication Date
27 December 2007 (27.12.2007)

PCT

(10) International Publication Number
WO 2007/149362 A3

(51) International Patent Classification:
HOIL 25/075 (2006.01) HOIL 33/00 (2006.01)

(21) International Application Number:
PCT/US2007/014147

(22) International Filing Date: 15 June 2007 (15.06.2007)

(25) Filing Language: English

(26) Publication Language: English

(30) Priority Data:
11/454,479 16 June 2006 (16.06.2006) US

(71) Applicant (for all designated States except US): ARTIC-
ULATED TECHNOLOGIES, LLC [US/US]; 300 Say-
brook Road, Higganum, Connecticut 06441 (US).

(72) Inventor; and

(75) Inventor/Applicant (for US only): DANIELS, John J.
[US/US]; 511 Foot Hills Road, Higganum, Connecticut
06441 (US).

(74) Agent: MICHAUD, Richard R.; Michaud-Duffy Group,
LLC, 306 Industrial Park Road, Suite 206, Middletown,
Connecticut 06457 (US).

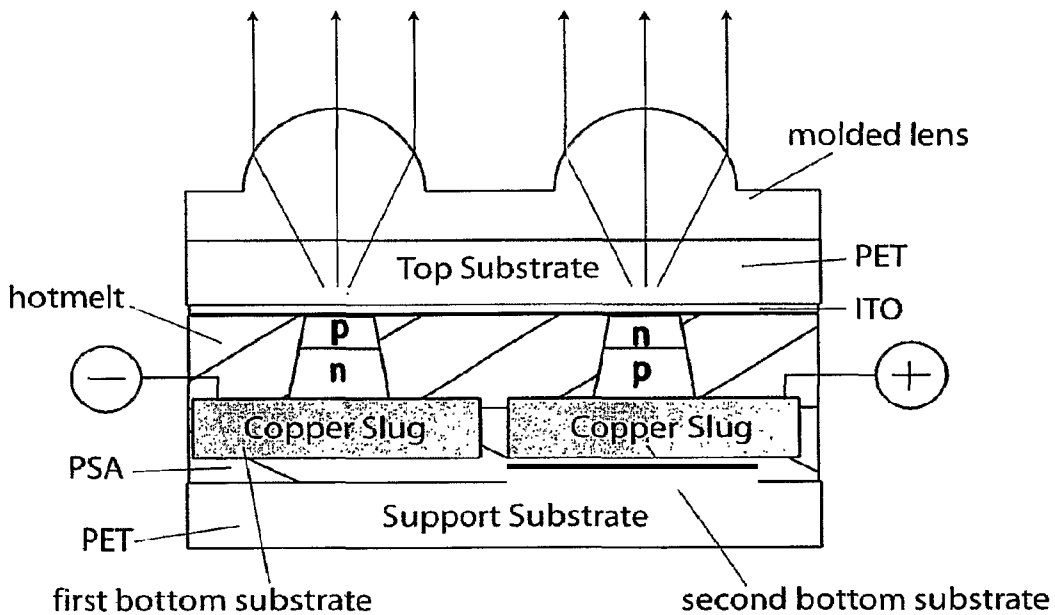
(81) Designated States (unless otherwise indicated, for every
kind of national protection available): AE, AG, AL, AM,
AT, AU, AZ, BA, BB, BG, BH, BR, BW, BY, BZ, CA, CH,
CN, CO, CR, CU, CZ, DE, DK, DM, DO, DZ, EC, EE, EG,
ES, FI, GB, GD, GE, GH, GM, GT, HN, HR, HU, ID, IL,
IN, IS, JP, KE, KG, KM, KN, KP, KR, KZ, LA, LC, LK,
LR, LS, LT, LU, LY, MA, MD, ME, MG, MK, MN, MW,
MX, MY, MZ, NA, NG, NI, NO, NZ, OM, PG, PH, PL,
PT, RO, RS, RU, SC, SD, SE, SG, SK, SL, SM, SV, SY,
TJ, TM, TN, TR, TT, TZ, UA, UG, US, UZ, VC, VN, ZA,
ZM, ZW

(84) Designated States (unless otherwise indicated, for every
kind of regional protection available): ARIPO (BW, GH,
GM, KE, LS, MW, MZ, NA, SD, SL, SZ, TZ, UG, ZM,
ZW), Eurasian (AM, AZ, BY, KG, KZ, MD, RU, TJ, TM),
European (AT, BE, BG, CH, CY, CZ, DE, DK, EE, ES, FI,
FR, GB, GR, HU, IE, IS, IT, LT, LU, LV, MC, MT, NL, PL,
PT, RO, SE, SI, SK, TR), OAPI (BF, BJ, CF, CG, CI, CM,
GA, GN, GQ, GW, ML, MR, NE, SN, TD, TG).

Published:
— with international search report

(88) Date of publication of the international search report:
24 April 2008

(54) Title: SOLID STATE LIGHT SHEET AND BARE DIE SEMICONDUCTOR CIRCUITS WITH SERIES CONNECTED
BARE DIE CIRCUIT ELEMENTS



(57) Abstract: An electronically active sheet includes a bottom substrate having a bottom electrically conductive surface. A top substrate having a top electrically conductive surface is disposed facing the bottom electrically conductive surface. An electrical insulator separates the bottom electrically conductive surface from the top electrically conductive surface. At least one bare die electronic element is provided having a top conductive side and a bottom conductive side. Each bare die electronic element is disposed so that the top conductive side is in electrical communication with the top electrically conductive surface and so that the bottom conductive side is in electrical communication with the bottom electrically conductive surface.

WO 2007/149362 A3

INTERNATIONAL SEARCH REPORT

International application No
PCT/US2007/014147

A. CLASSIFICATION OF SUBJECT MATTER
INV. H01L25/075 H01L33/00

According to International Patent Classification (IPC) or to both national classification and IPC

B. FIELDS SEARCHED

Minimum documentation searched (classification system followed by classification symbols)
H01L G02F F21K

Documentation searched other than minimum documentation to the extent that such documents are included in the fields searched

Electronic data base consulted during the international search (name of data base and, where practical, search terms used)

EPO-Internal

C. DOCUMENTS CONSIDERED TO BE RELEVANT

Category*	Citation of document, with indication, where appropriate, of the relevant passages	Relevant to claim No
X	EP 1 465 256 A (MICRO PHOTONICS TECHNOLOGY [DK]) 6 October 2004 (2004-10-06) paragraphs [0030] - [0034], [0043]; figure 2	1-3, 5-10, 12-17, 19,20
Y	WO 2005/099310 A (ARTICULATED TECHNOLOGIES LLC [US]; DANIELS JOHN J [US]; NELSON GREGORY) 20 October 2005 (2005-10-20) the whole document	1-20
Y	US 2005/127379 A1 (NAKATA JOSUKE [JP]) 16 June 2005 (2005-06-16) the whole document	1-20
	- / - -	

Further documents are listed in the continuation of Box C

See patent family annex

* Special categories of cited documents

- "A" document defining the general state of the art which is not considered to be of particular relevance
- "E" earlier document but published on or after the international filing date
- "L" document which may throw doubts on priority claim(s) or which is cited to establish the publication date of another citation or other special reason (as specified)
- "O" document referring to an oral disclosure, use, exhibition or other means
- "P" document published prior to the international filing date but later than the priority date claimed

- "T" later document published after the international filing date or priority date and not in conflict with the application but cited to understand the principle or theory underlying the invention
- "X¹" document of particular relevance, the claimed invention cannot be considered novel or cannot be considered to involve an inventive step when the document is taken alone
- "Y" document of particular relevance, the claimed invention cannot be considered to involve an inventive step when the document is combined with one or more other such documents, such combination being obvious to a person skilled in the art
- "&" document member of the same patent family

Date of the actual completion of the international search

11 January 2008

Date of mailing of the international search report

21/01/2008

Name and mailing address of the ISA/
European Patent Office, P B 5818 Patentlaan 2
NL- 2280 HV RIJSWijk
Tel (+31-70) 340-2040, Tx 31 651 epo nl,
Fax (+31-70) 340-3016

Authorized officer

Degroote, Bart

INTERNATIONAL SEARCH REPORT

International application No

PCT/US2007/014147

(^Continuation). DOCUMENTS CONSIDERED TO BE RELEVANT		
Category*	Citation of document, with indication, where appropriate, of the relevant passages	Relevant to claim No.
A	US 2005/233504 A1 (DOI MASATO [OP] ET AL) 20 October 2005 (2005-10-20) the whole document -----	
A	JP 61 089683 A (TOKYO SHIBAURA ELECTRIC CO) 7 May 1986 (1986-05-07) the whole document -----	

INTERNATIONAL SEARCH REPORT

Information on patent family members

International application No

PCT/US2007/014147

Patent document cited in search report	Publication date	Patent family member(s)	Publication date
EP 1465256	A	06-10-2004	NONE
WO 2005099310	A	20-10-2005	AU 2005232074 A1 20-10-2005 CA 2560701 A1 20-10-2005 EP 1736035 A2 27-12-2006 JP 2007531321 T 01-11-2007 KR 20070011419 A 24-01-2007
US 2005127379	A1	16-06-2005	CA 2463981 A1 01-05-2003 CN 1479946 A 03-03-2004 EP 1445804 A1 11-08-2004 WO 03036731 A1 01-05-2003 JP 3904559 B2 11-04-2007 TW 512542 B 01-12-2002
US 2005233504	A1	20-10-2005	CN 1698077 A 16-11-2005 JP 2004273596 A 30-09-2004 WO 2004079700 A1 16-09-2004 KR 20050118100 A 15-12-2005 TW 246107 B 21-12-2005
JP 61089683	A	07-05-1986	NONE