



US00D867417S

(12) **United States Design Patent**  
**Sakai**

(10) **Patent No.:** **US D867,417 S**

(45) **Date of Patent:** **\*\* Nov. 19, 2019**

(54) **BINOCULARS**

(71) Applicant: **FUJIFILM Corporation**, Tokyo (JP)

(72) Inventor: **Hiroyuki Sakai**, Saitama (JP)

(73) Assignee: **FUJIFILM Corporation**, Tokyo (JP)

(\*\*) Term: **15 Years**

(21) Appl. No.: **29/643,826**

(22) Filed: **Apr. 12, 2018**

(30) **Foreign Application Priority Data**

Oct. 13, 2017 (JP) ..... 2017-022689

(51) **LOC (12) Cl.** ..... **16-06**

(52) **U.S. Cl.**  
USPC ..... **D16/133**

(58) **Field of Classification Search**  
USPC ..... D16/130, 133, 136, 237  
CPC ..... G02B 23/00; G02B 23/18  
See application file for complete search history.

(56) **References Cited**

**U.S. PATENT DOCUMENTS**

D365,831 S *	1/1996	Miyahara	.....	D16/133
D365,832 S *	1/1996	Miyahara	.....	D16/133
D376,167 S *	12/1996	Hayamizu	.....	D16/133
D387,077 S *	12/1997	Lee	.....	D16/133
D395,905 S *	7/1998	Hamamura	.....	D16/133
D406,597 S *	3/1999	Kimura	.....	D16/133
D428,031 S *	7/2000	Inaba	.....	D16/133

D430,586 S *	9/2000	Inaba	.....	D16/133
D432,553 S *	10/2000	Matsushita	.....	D16/133
D470,160 S *	2/2003	Meinzer	.....	D16/133
D487,761 S *	3/2004	Hamamura	.....	D16/133
D508,702 S *	8/2005	Hayashi	.....	D16/133
D508,707 S *	8/2005	Hayashi	.....	D16/133
D522,033 S *	5/2006	Kitera	.....	D16/133
D522,551 S *	6/2006	Hayashi	.....	D16/133
D669,107 S *	10/2012	Yoneda	.....	D16/133
2011/0069386 A1 *	3/2011	Noguchi	.....	G02B 23/18 359/480
2012/0194904 A1 *	8/2012	Noguchi	.....	G02B 25/004 359/416

\* cited by examiner

*Primary Examiner* — Holly E Thurman  
(74) *Attorney, Agent, or Firm* — Birch, Stewart, Kolasch & Birch, LLP

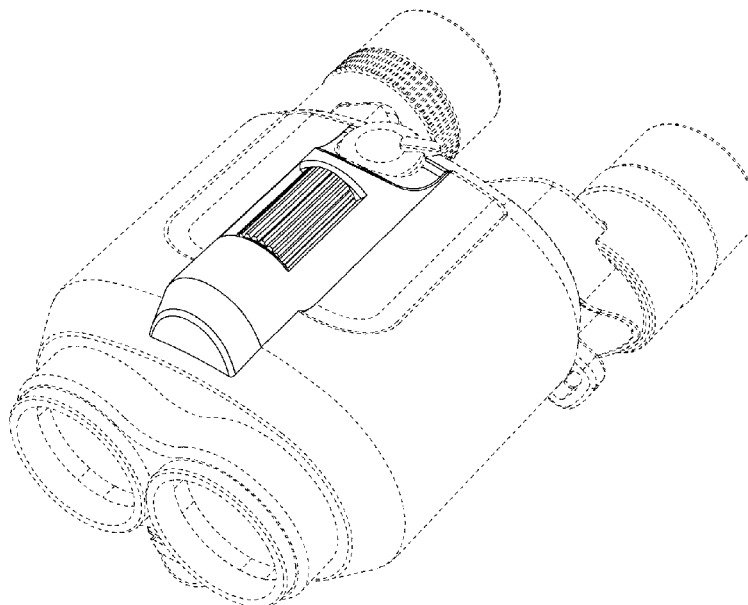
(57) **CLAIM**

The ornamental design for binoculars, as shown and described.

**DESCRIPTION**

FIG. 1 is a perspective view of a binoculars, showing the new design;  
FIG. 2 is a front view thereof;  
FIG. 3 is a rear view thereof;  
FIG. 4 is a top view thereof;  
FIG. 5 is a bottom view thereof;  
FIG. 6 is a left view thereof; and,  
FIG. 7 is a right view thereof.  
The broken lines depict portions of the binoculars that form no part of the claimed design.

**1 Claim, 7 Drawing Sheets**



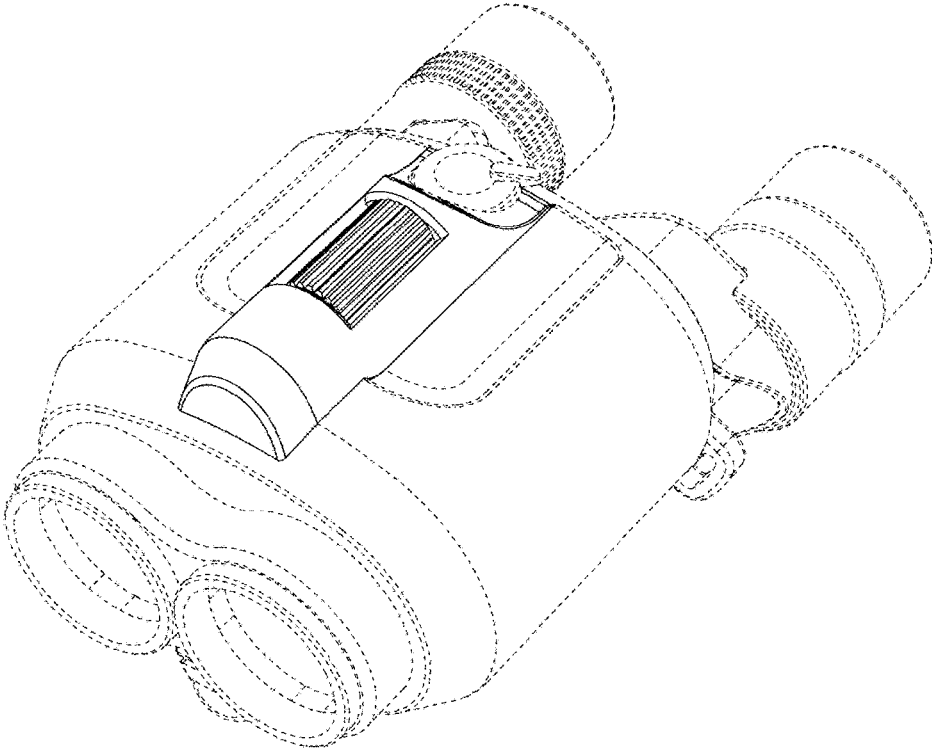


FIG.1

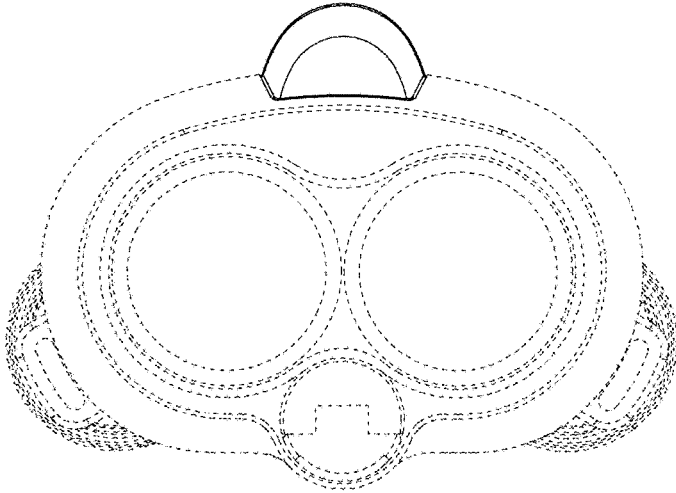


FIG.2

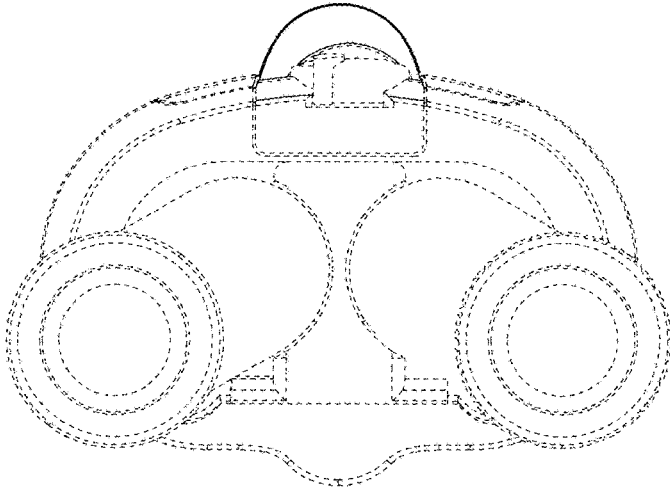


FIG. 3

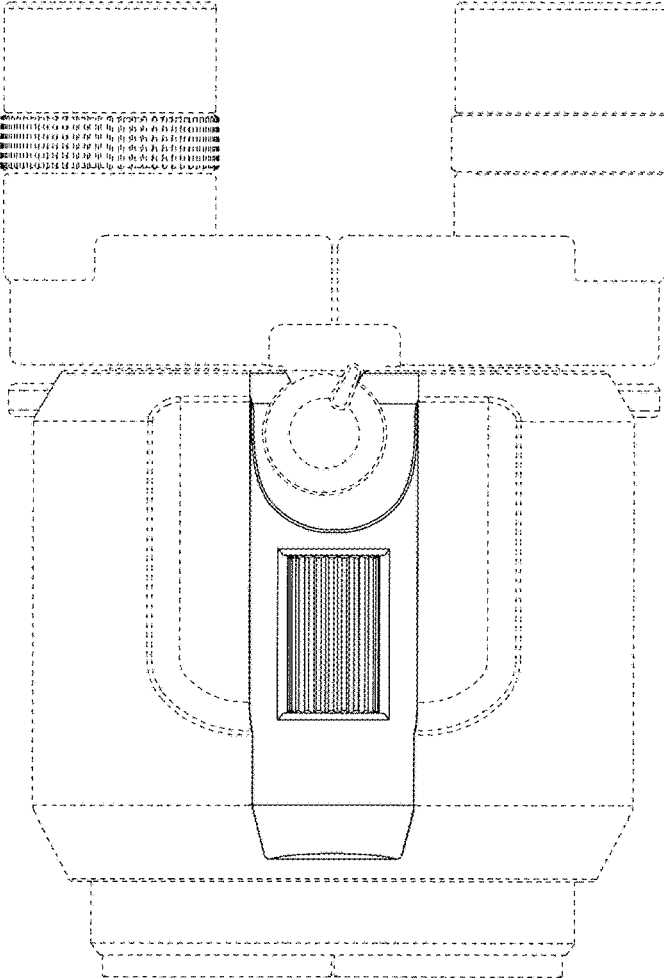


FIG.4

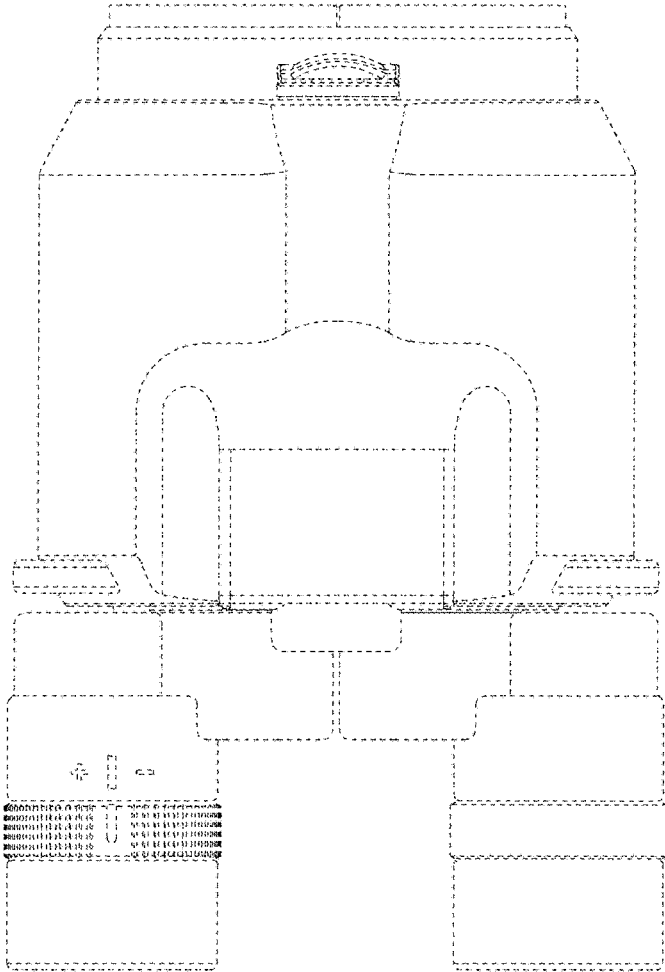


FIG.5

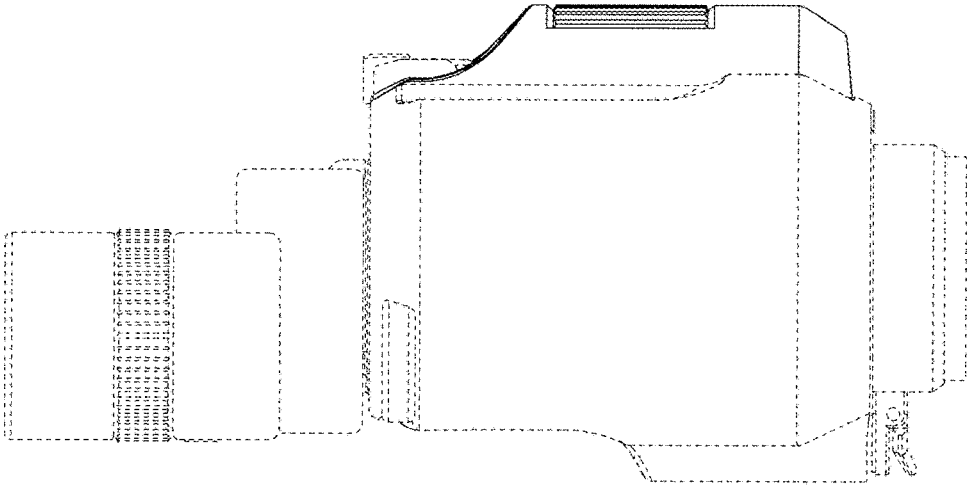


FIG.6

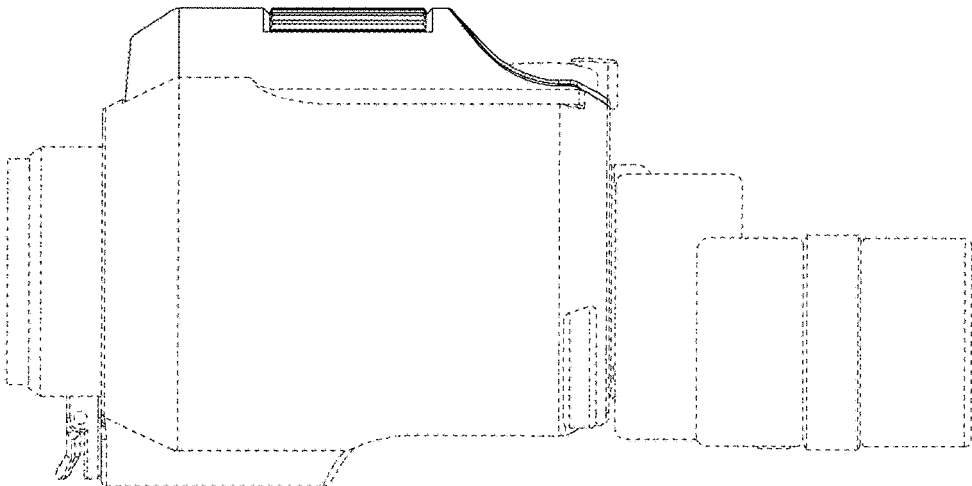


FIG.7