



US00D488154S

(12) **United States Design Patent**  
**Lovelady et al.**

(10) **Patent No.:** **US D488,154 S**

(45) **Date of Patent:** **\*\* Apr. 6, 2004**

(54) **COMBINATION PERSONAL DIGITAL ASSISTANT AND VIDEO CAMERA**

6,141,052 A \* 10/2000 Fukumitsu et al. .... 348/373  
D442,172 S \* 5/2001 Mizuno ..... D14/317  
6,323,902 B1 \* 11/2001 Ishikawa ..... 348/373  
D462,956 S \* 9/2002 Ogasawara ..... D14/317

(75) Inventors: **Brett Lovelady**, Saratoga, CA (US);  
**Maaiké L Evers**, San Francisco, CA (US);  
**Symon Whitehorn**, San Francisco, CA (US)

\* cited by examiner

*Primary Examiner*—Freda Nunn

(74) *Attorney, Agent, or Firm*—Lloyd E. Dakin, Jr.

(73) Assignee: **Hewlett-Packard Development Company, L.P.**, Houston, TX (US)

(57) **CLAIM**

(\*\*) Term: **14 Years**

What is claimed is the ornamental design for a combination personal digital assistant and video camera, as shown and described.

(21) Appl. No.: **29/177,145**

(22) Filed: **Mar. 3, 2003**

**DESCRIPTION**

**Related U.S. Application Data**

(63) Continuation-in-part of application No. 29/174,731, filed on Jan. 23, 2003.

FIG. 1 is a perspective view of a combination personal digital assistant and video camera showing the new design; FIG. 2 is a closed top plan view thereof; FIG. 3 is a closed bottom plan view thereof; FIG. 4 is a closed left side elevational view thereof; FIG. 5 is a closed right side elevational view thereof; FIG. 6 is a closed front elevational view thereof; FIG. 7 is a closed rear elevational view thereof; FIG. 8 is an open perspective view thereof; FIG. 9 is an open top plan view thereof; FIG. 10 is an open bottom plan view thereof; FIG. 11 is an open left side elevational view thereof; FIG. 12 is an open right side elevational view thereof; FIG. 13 is an open front elevational view thereof; and, FIG. 14 is an open rear elevational view thereof.

(51) **LOC (7) Cl.** ..... **14-02**

(52) **U.S. Cl.** ..... **D14/345**

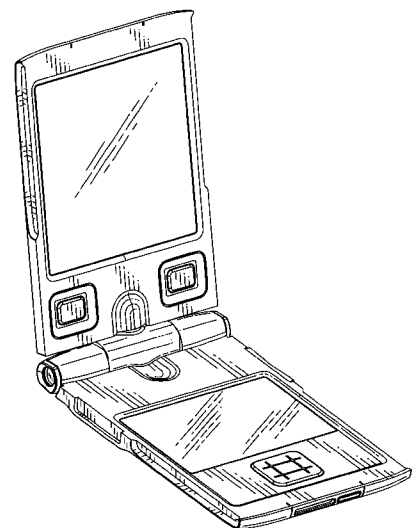
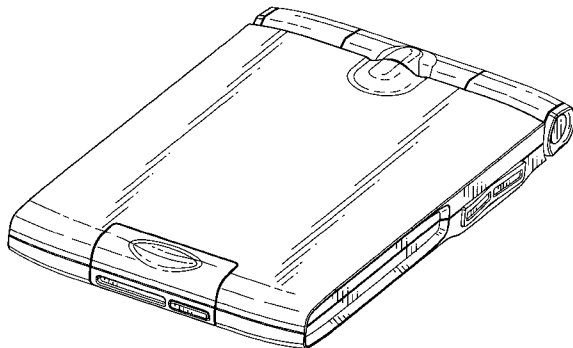
(58) **Field of Search** ..... D14/341-345,  
D14/320, 317; D18/1, 2, 7; 235/145 A,  
145 R; 345/156, 168, 169, 172, 173, 87;  
349/12; 361/680-686; D16/208, 202; 348/373

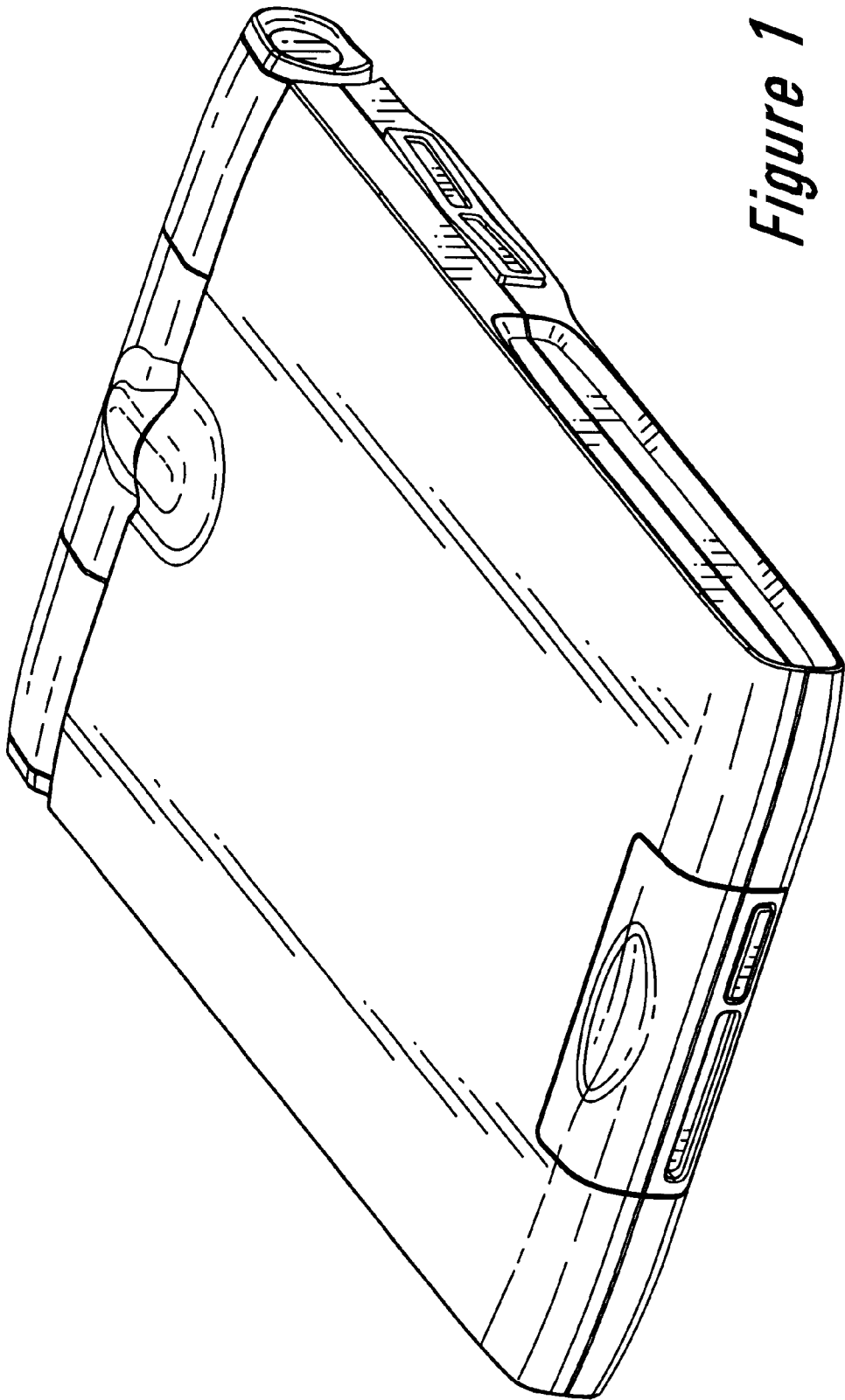
(56) **References Cited**

**U.S. PATENT DOCUMENTS**

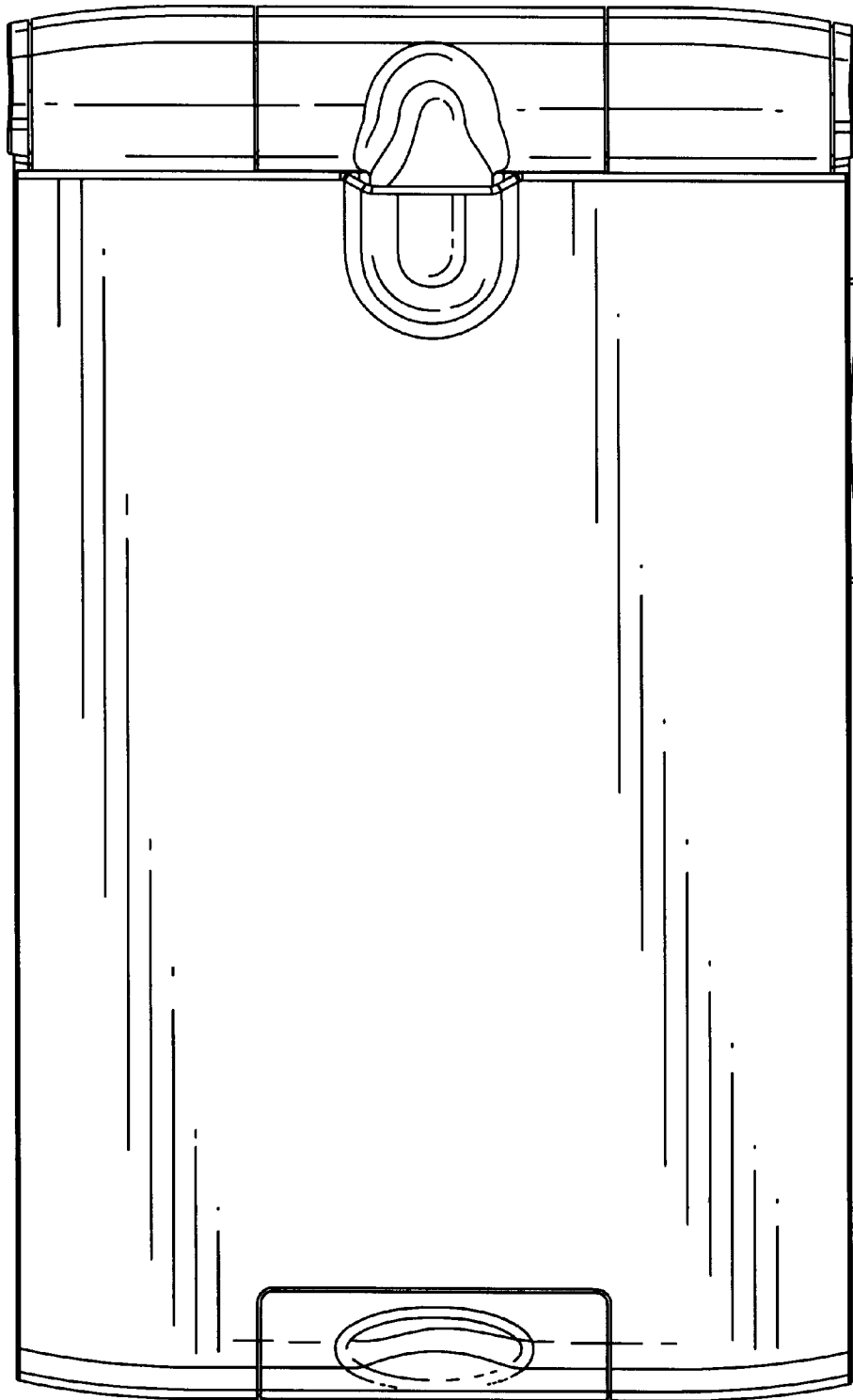
D363,471 S \* 10/1995 Shima et al. .... D14/317  
D369,146 S \* 4/1996 Onoda et al. .... D14/320  
6,118,653 A \* 9/2000 Kim ..... 361/683

**1 Claim, 12 Drawing Sheets**

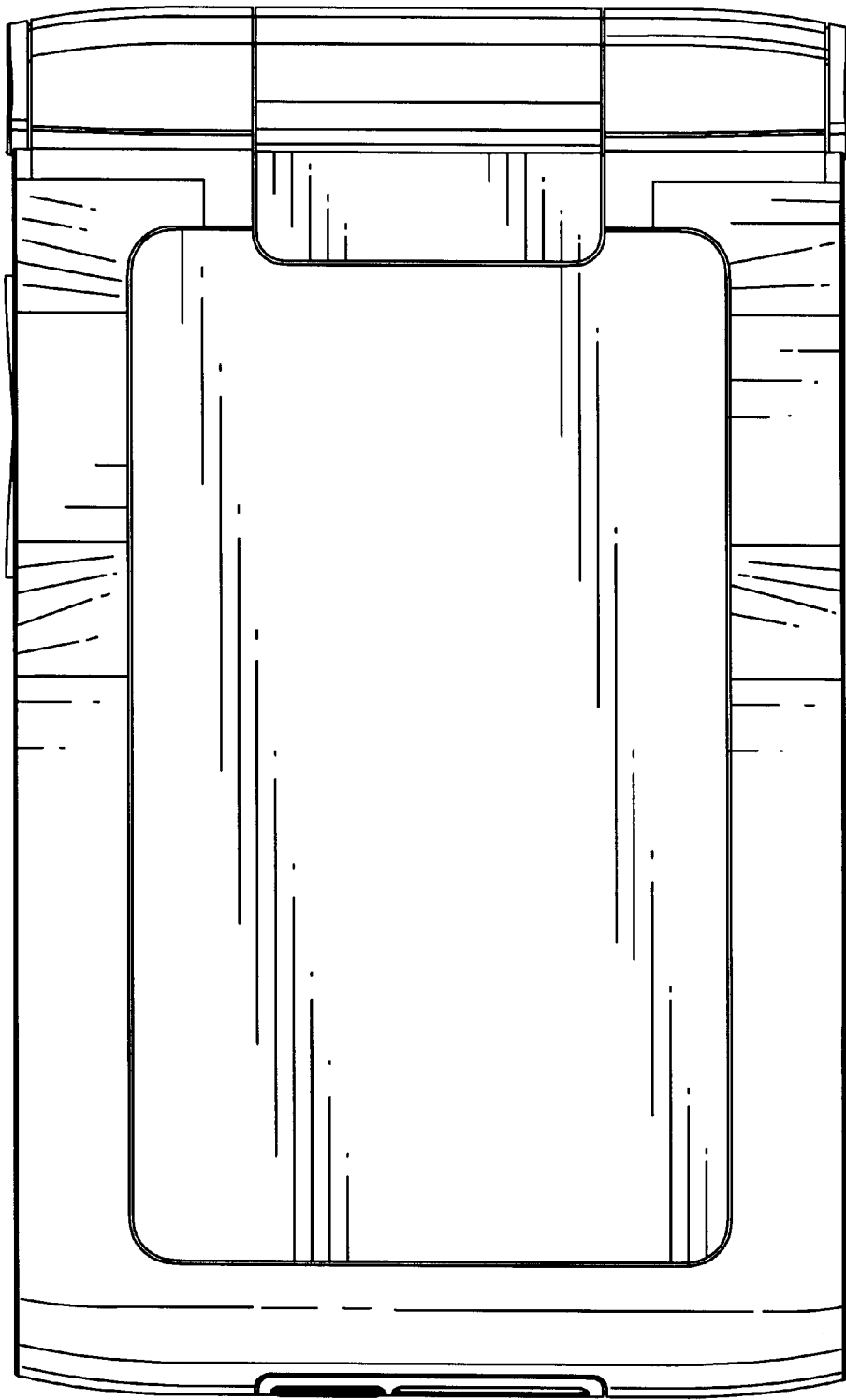




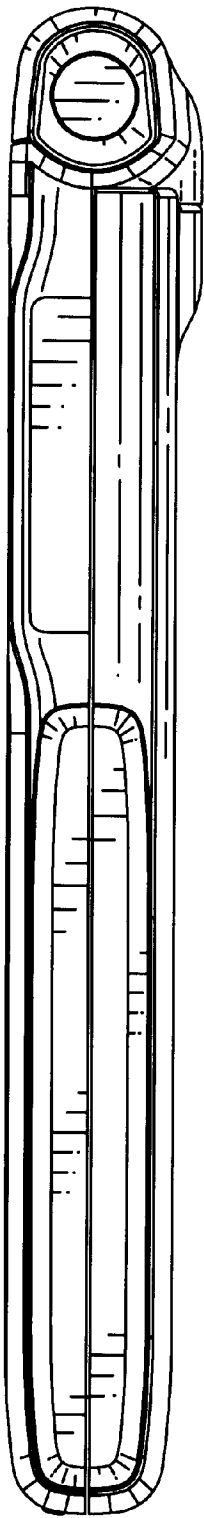
*Figure 1*



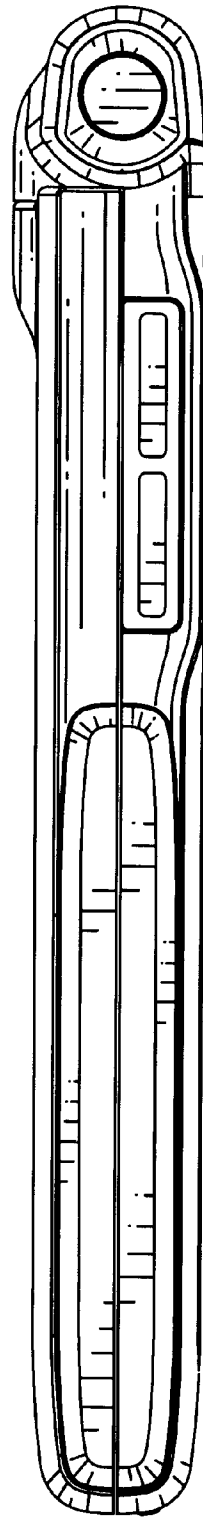
*Figure 2*



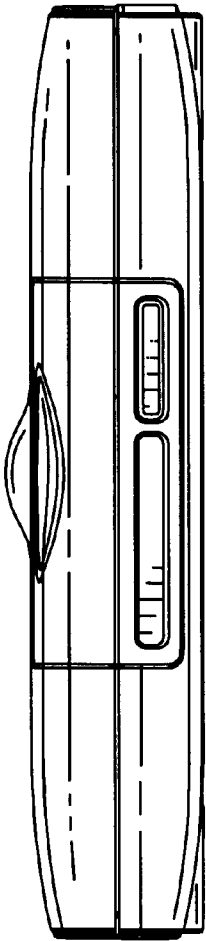
*Figure 3*



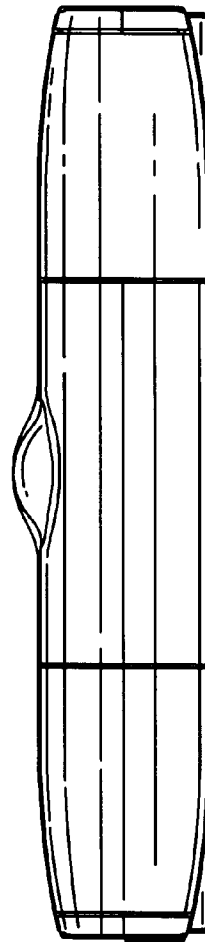
*Figure 4*



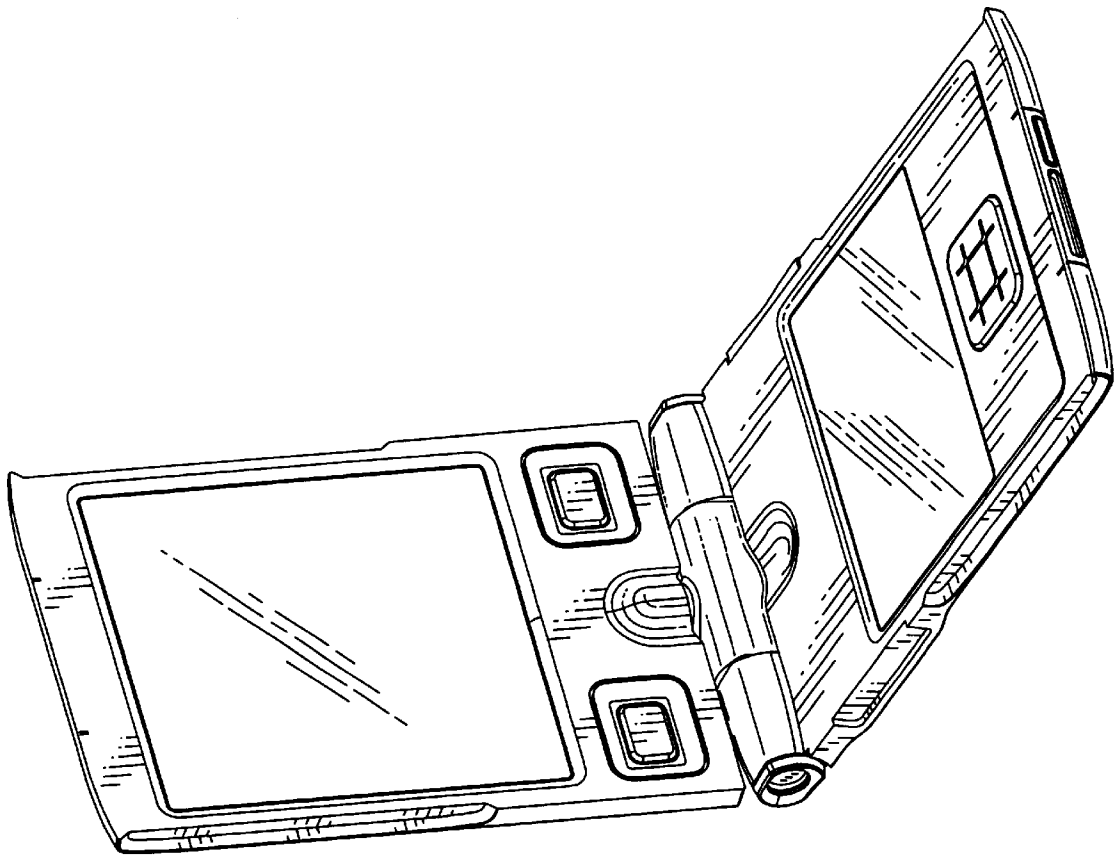
*Figure 5*



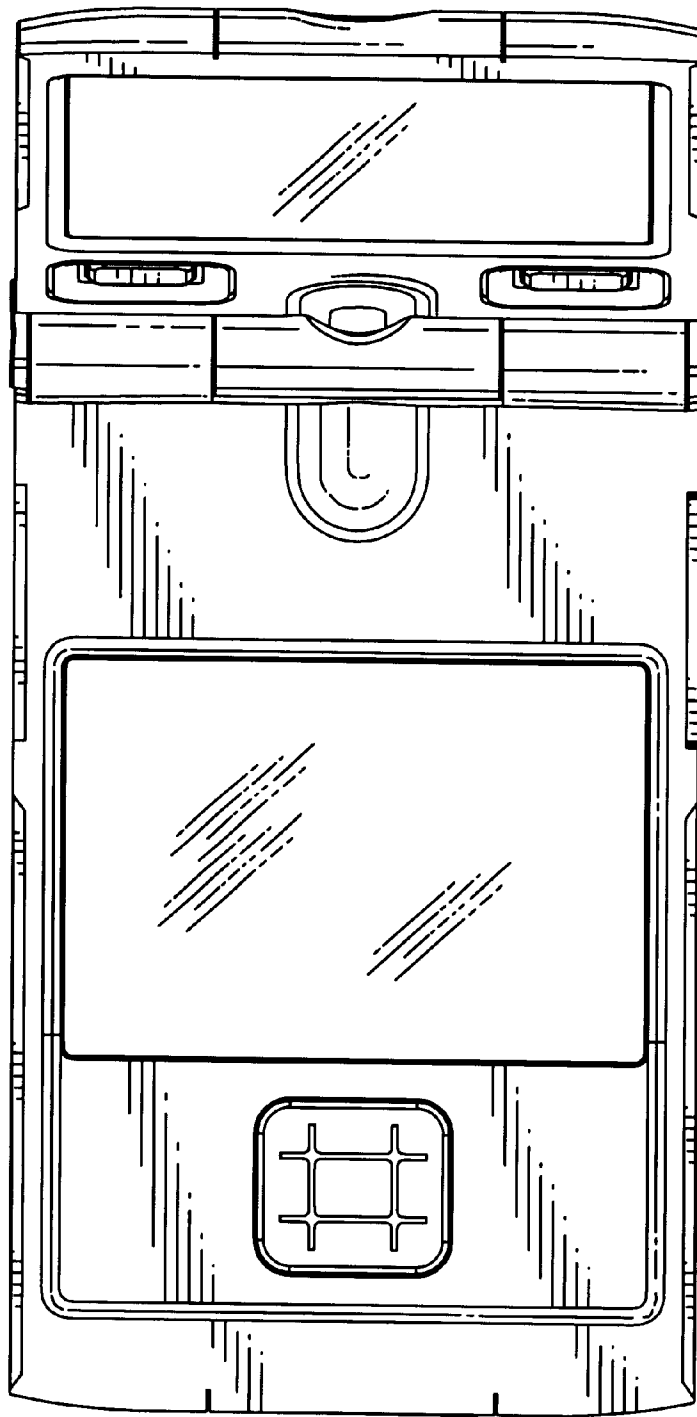
*Figure 6*



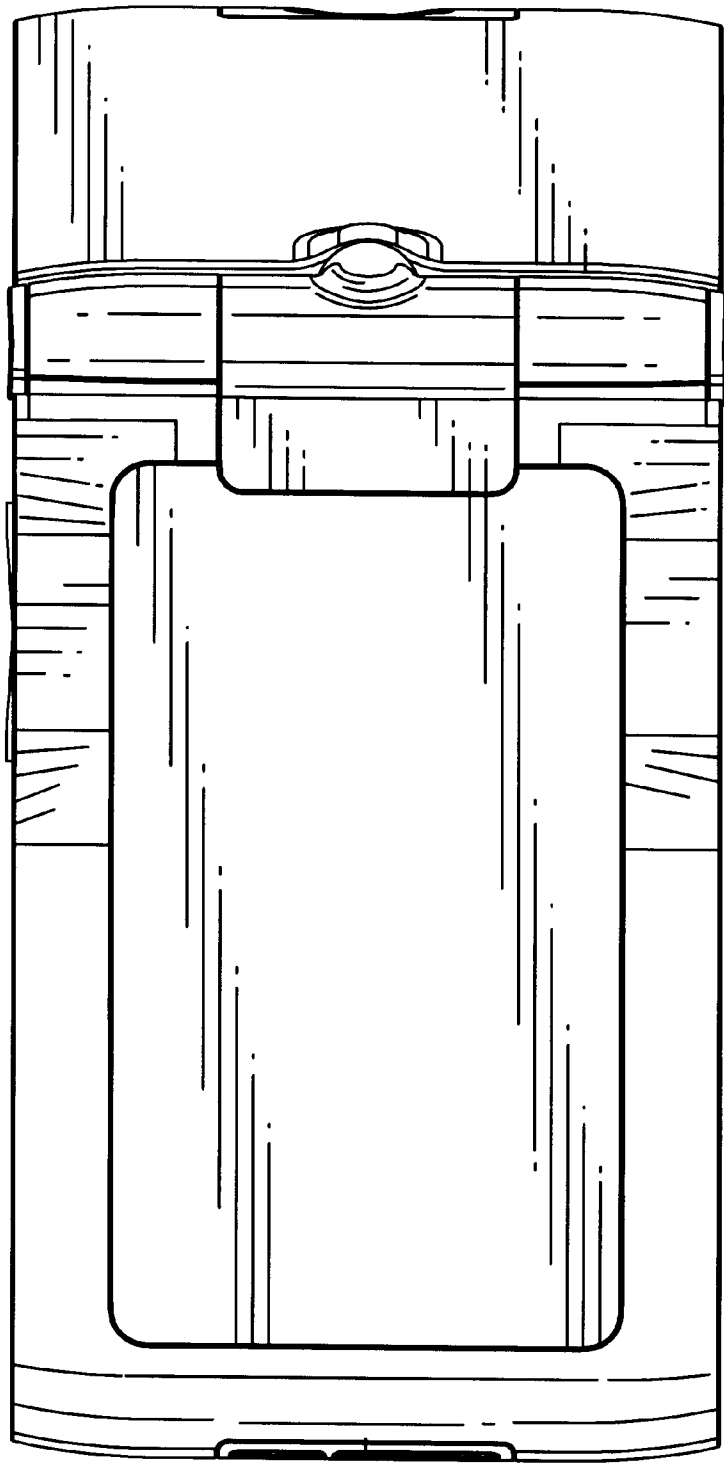
*Figure 7*



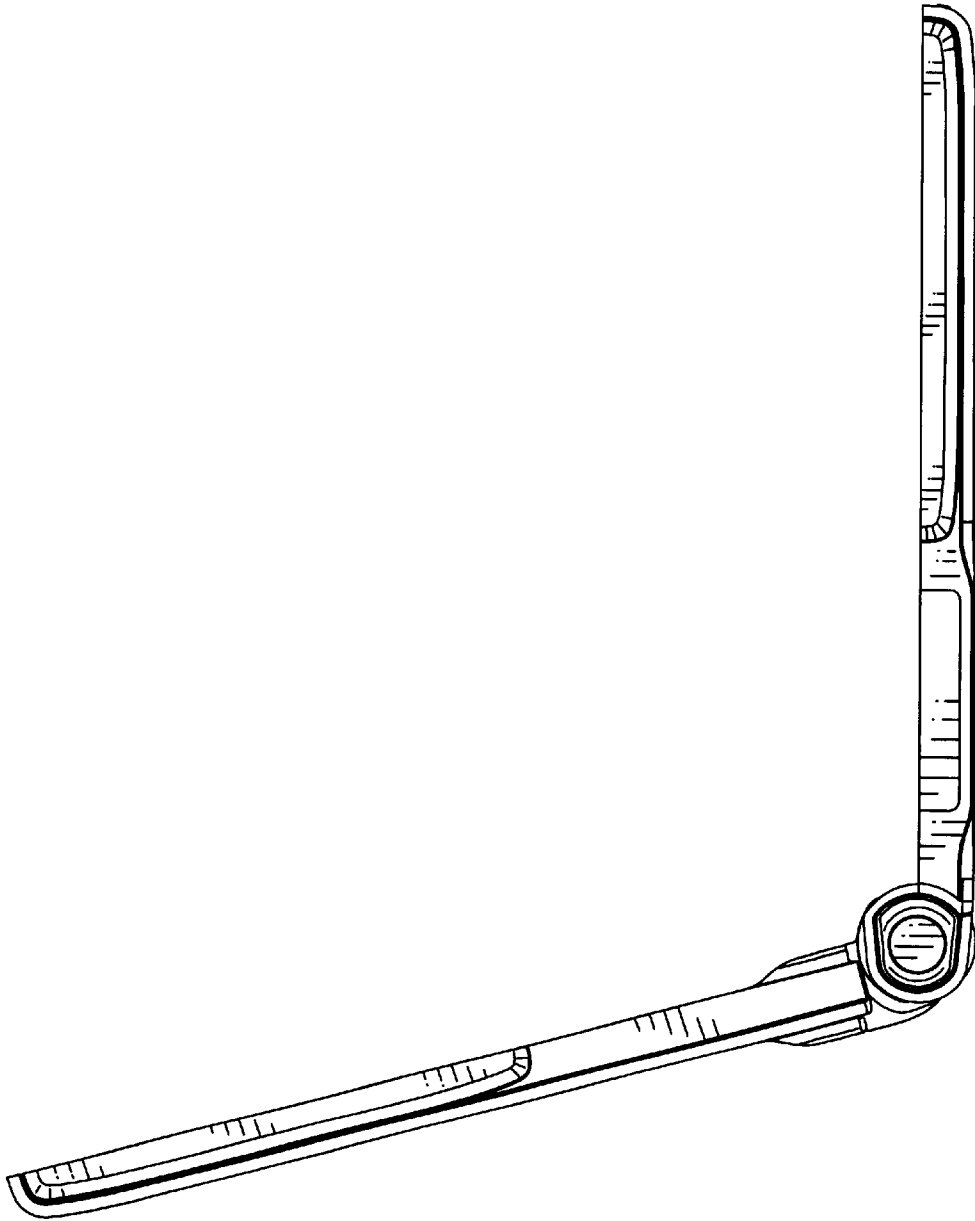
*Figure 8*



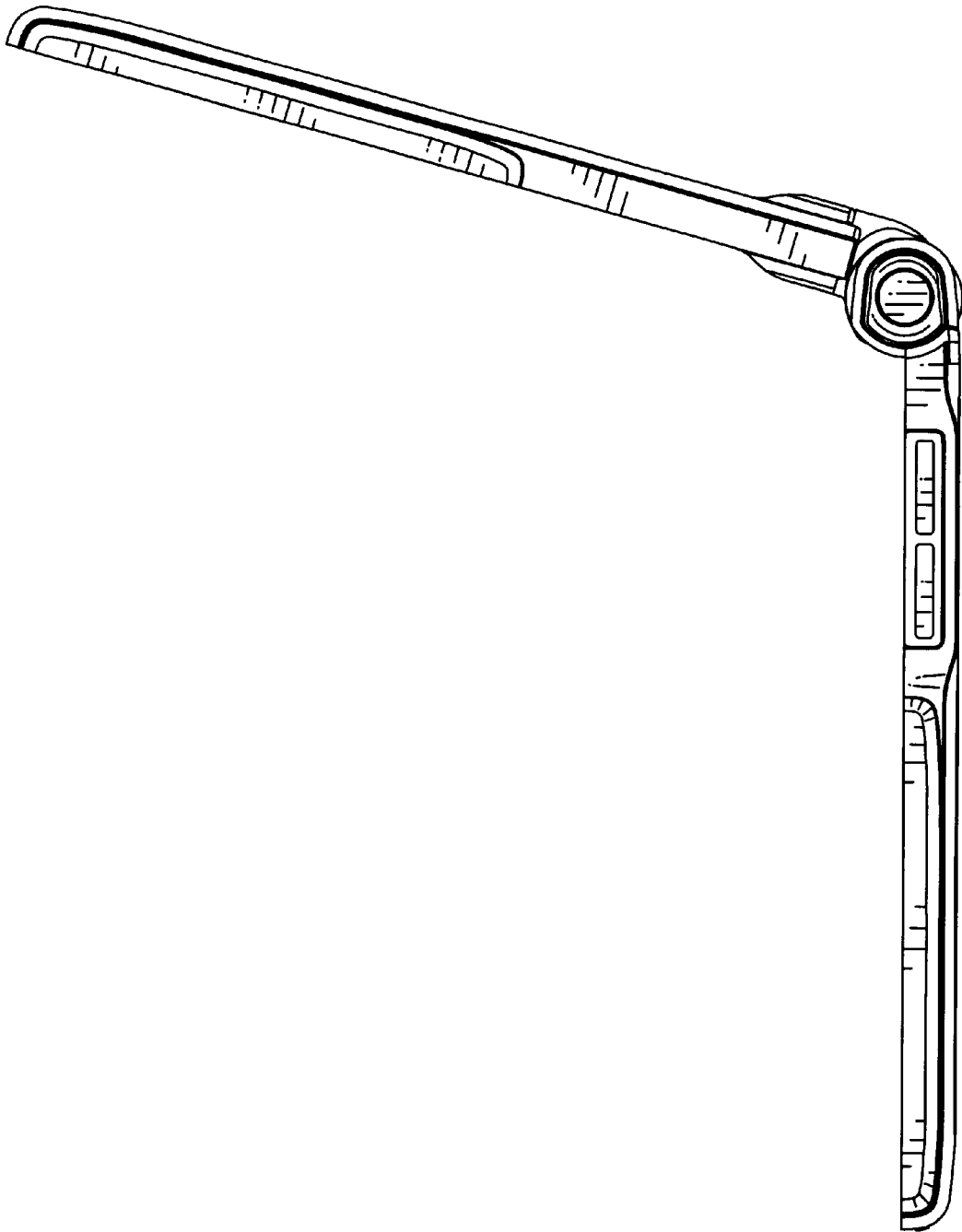
*Figure 9*



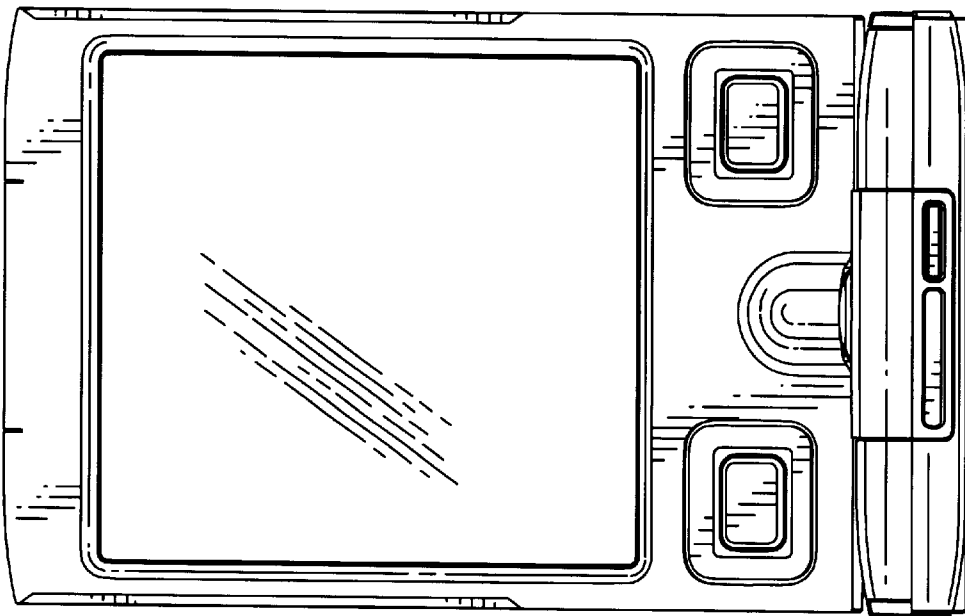
*Figure 10*



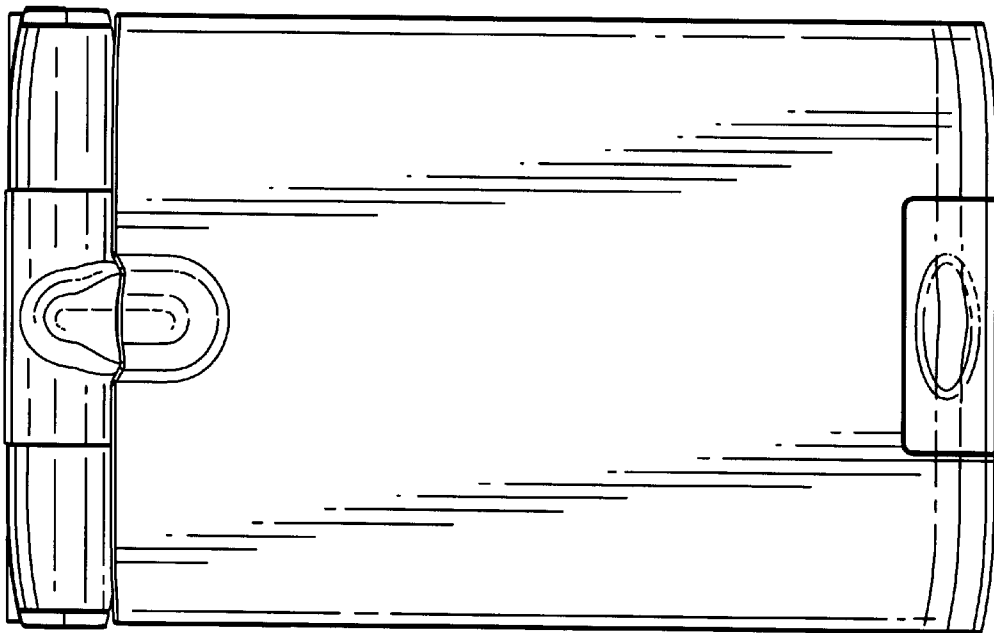
*Figure 11*



*Figure 12*



*Figure 13*



*Figure 14*