

(12) **UK Patent Application** (19) **GB** (11) **2469251** (13) **A**

(43) Date of Reproduction by UK Office **06.10.2010**

(21) Application No: **1013364.3**

(22) Date of Filing: **09.02.2009**

(30) Priority Data:
(31) **61026963** (32) **07.02.2008** (33) **US**
(31) **61034242** (32) **06.03.2008** (33) **US**

(86) International Application Data:
PCT/US2009/033600 En 09.02.2009

(87) International Publication Data:
WO2009/100457 En 13.08.2009

(71) Applicant(s):
McCutchen Co
2444 SE Tibbetts Street, Portland, OR 972202,
United States of America

(72) Inventor(s):
David McCutchen
Wilmot H McCutchen

(74) Agent and/or Address for Service:
Kilburn & Strode LLP
20 Red Lion Street, LONDON, WC1R 4PJ,
United Kingdom

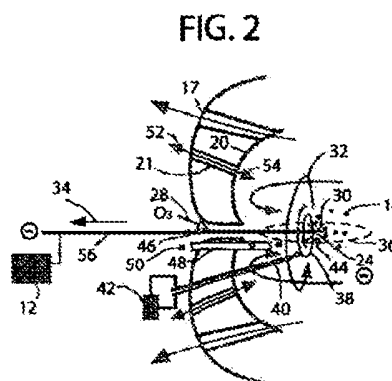
(51) INT CL:
C25B 9/12 (2006.01) **C25B 1/00** (2006.01)
C25B 1/13 (2006.01) **C25D 17/00** (2006.01)
C25D 17/10 (2006.01)

(56) Documents Cited by ISA:
US 6936228 A **US 6183714 A**
US 5688377 A **US 20060251564 A1**
US 20060057037 A1 **US 20050163696 A1**
US 20050118090 A1
J. Phys. Condens. Matter, Vol. 19, 2007, S Bellucci,
"Study of field Emission of Multiwalled C Nanotubes
Synthesized by Arc Discharge"

(58) Field of Search by ISA:
INT CL **B82B**
Other: **USPC: 977/842, 428/367; Online: PUBWEST,**
Internet

(54) Title of the Invention: **Shear reactor for vortex synthesis of nanotubes**
Abstract Title: **Shear reactor for vortex synthesis of nanotubes**

(57) Continuous nanotube synthesis by vortex deposition occurs in an axially-fed shear reactor comprising coaxial counter-rotating disk impeller/electrodes charged as anodes. Nanotube evolving ends, charged as cathodes, point toward the anode axis of rotation and protrude into the space between the anodes.



GB 2469251 A