



US00D982005S

(12) **United States Design Patent** (10) **Patent No.:** **US D982,005 S**
Akana et al. (45) **Date of Patent:** **** Mar. 28, 2023**

(54) **ELECTRONIC DEVICE**

(71) Applicant: **Apple Inc.**, Cupertino, CA (US)

(72) Inventors: **Jody Akana**, San Francisco, CA (US); **Molly Anderson**, San Francisco, CA (US); **Bartley K. Andre**, Palo Alto, CA (US); **Shota Aoyagi**, San Francisco, CA (US); **Anthony Michael Ashcroft**, San Francisco, CA (US); **Marine C. Bataille**, San Francisco, CA (US); **Jeremy Bataillon**, San Francisco, CA (US); **Abidur Rahman Chowdhury**, San Francisco, CA (US); **Clara Geneviève Marine Courtaigne**, Palo Alto, CA (US); **Markus Diebel**, San Francisco, CA (US); **Jonathan Gomez Garcia**, San Francisco, CA (US); **M. Evans Hankey**, San Francisco, CA (US); **Richard P. Howarth**, San Francisco, CA (US); **Jonathan P. Ive**, San Francisco, CA (US); **Julian Jaede**, San Francisco, CA (US); **Duncan Robert Kerr**, San Francisco, CA (US); **Peter Russell-Clarke**, San Francisco, CA (US); **Benjamin Andrew Shaffer**, San Jose, CA (US); **Joe Sung-Ho Tan**, Vienna (AT); **Clement Tissandier**, San Francisco, CA (US); **Eugene Antony Whang**, San Francisco, CA (US)

(73) Assignee: **Apple Inc.**, Cupertino, CA (US)

(**) Term: **15 Years**

(21) Appl. No.: **29/778,035**

(22) Filed: **Apr. 9, 2021**

(51) **LOC (14) Cl.** **14-02**

(52) **U.S. Cl.**
USPC **D14/341; D14/138 G**

(58) **Field of Classification Search**
USPC D14/138 AA, 138 AB, 138 AC, 138 AD, D14/138 C, 138 G, 248, 315-318,
(Continued)

(56) **References Cited**

U.S. PATENT DOCUMENTS

D337,569 S 7/1993 Kando
D420,354 S 2/2000 Morales
(Continued)

FOREIGN PATENT DOCUMENTS

CN 300928488 S 5/2009
CN 301134880 S 2/2010
(Continued)

OTHER PUBLICATIONS

Apple introduces iPhone 14 and iPhone 14 Plus, Sep. 7, 2022, [retrieved Dec. 14, 2022], Retrieved from Internet, URL: <https://www.apple.com/newsroom/2022/09/apple-introduces-iphone-14-and-iphone-14-plus/> (Year: 2022).*

(Continued)

Primary Examiner — Messina L Smith

Assistant Examiner — Aram Kwon

(74) *Attorney, Agent, or Firm* — Sterne, Kessler, Goldstein & Fox P.L.L.C.

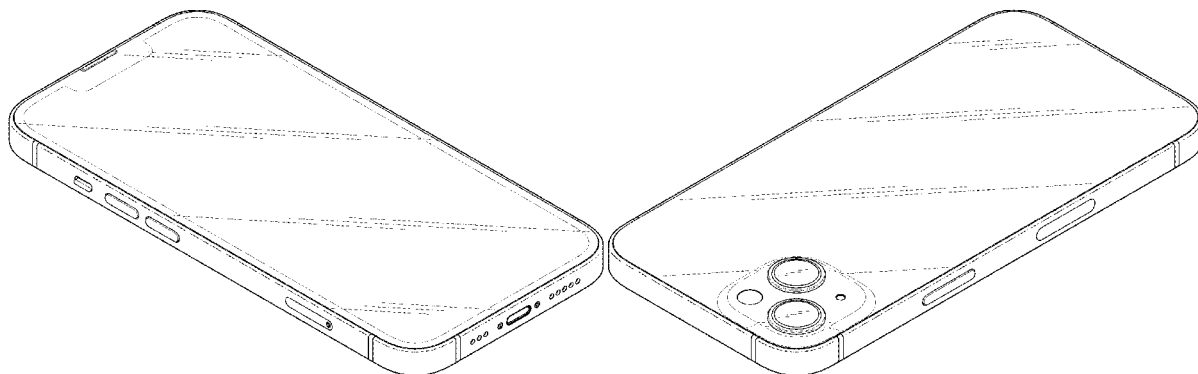
(57) **CLAIM**

The ornamental design for an electronic device, as shown and described.

DESCRIPTION

FIG. 1 is a bottom front perspective view of an electronic device showing the claimed design;
FIG. 2 is a top rear perspective view thereof;
FIG. 3 is a front view thereof;
FIG. 4 is a rear view thereof;
FIG. 5 is a left side view thereof;
FIG. 6 is a right side view thereof;
FIG. 7 is a top view thereof; and,
FIG. 8 is a bottom view thereof.

1 Claim, 6 Drawing Sheets



- (58) **Field of Classification Search**
 USPC D14/341–347, 371, 374, 432, 439;
 D6/308, 310; D10/50, 65, 104.1;
 D18/6–7; D19/26, 59–60; D21/324,
 D21/329–330, 332
 CPC ... H04M 1/0202; H04M 1/0266; H04M 1/725
 See application file for complete search history.

(56) **References Cited**

U.S. PATENT DOCUMENTS

D504,889 S 5/2005 Andre et al.
 D548,732 S 8/2007 Cebe et al.
 D558,756 S 1/2008 Andre et al.
 D558,757 S 1/2008 Andre et al.
 D558,758 S 1/2008 Andre et al.
 D573,143 S 7/2008 Park et al.
 D580,387 S 11/2008 Andre et al.
 D584,272 S * 1/2009 Chung D14/138 G
 D597,067 S 7/2009 Oh et al.
 D599,342 S 9/2009 Andre et al.
 D600,241 S 9/2009 Andre et al.
 D602,014 S 10/2009 Andre et al.
 D602,015 S 10/2009 Andre et al.
 D602,017 S 10/2009 Andre et al.
 D602,488 S 10/2009 Jiang et al.
 D603,834 S 11/2009 Lyman et al.
 D604,297 S 11/2009 Andre et al.
 D608,750 S 1/2010 He et al.
 D613,736 S 4/2010 Andre et al.
 7,697,281 B2 4/2010 Dabov et al.
 D618,204 S 6/2010 Andre et al.
 D619,555 S 7/2010 Yang et al.
 D622,270 S 8/2010 Andre et al.
 D622,718 S 8/2010 Andre et al.
 D622,719 S 8/2010 Andre et al.
 D625,307 S 10/2010 Cheng
 D626,937 S 11/2010 Yeo et al.
 D627,344 S 11/2010 Chien et al.
 D627,769 S 11/2010 Kumagai
 D627,778 S 11/2010 Akana et al.
 D631,028 S 1/2011 Park et al.
 D631,458 S 1/2011 Liao et al.
 D633,461 S 3/2011 Kim et al.
 D633,493 S 3/2011 Akana
 D633,908 S 3/2011 Akana et al.
 D635,113 S 3/2011 Park et al.
 D635,952 S 4/2011 Park et al.
 D636,390 S 4/2011 Andre et al.
 D636,392 S 4/2011 Akana et al.
 D636,752 S 4/2011 Liao et al.
 D638,003 S 5/2011 Chen
 D638,815 S 5/2011 Lee et al.
 D639,261 S 6/2011 Garnham et al.
 D639,763 S 6/2011 Kim et al.
 D639,771 S 6/2011 Chen
 D640,663 S 6/2011 Arnholt et al.
 D642,563 S 8/2011 Akana et al.
 D648,303 S 11/2011 Park et al.
 D649,968 S 12/2011 Li
 D653,645 S 2/2012 Park
 D654,887 S 2/2012 McManigal et al.
 D656,477 S 3/2012 Yi et al.
 D662,503 S 6/2012 Akana et al.
 D668,627 S 10/2012 Chung
 D671,905 S 12/2012 Mauritzson
 D671,937 S 12/2012 Akana et al.
 D672,343 S 12/2012 Akana
 D673,562 S 1/2013 Johnson
 D676,432 S 2/2013 Hasbrook et al.
 D677,641 S 3/2013 Sutherland et al.
 D677,642 S 3/2013 Park
 D677,657 S 3/2013 Akana et al.
 D680,092 S 4/2013 Tsai et al.
 D680,984 S 4/2013 Harmon et al.
 D680,995 S 4/2013 Lee
 D681,032 S 4/2013 Akana et al.

D681,632 S 5/2013 Akana et al.
 D683,711 S 6/2013 Hofer et al.
 D684,571 S 6/2013 Akana et al.
 D686,586 S 7/2013 Cho et al.
 D687,404 S 8/2013 Yoshimura
 D687,793 S 8/2013 Park
 D688,218 S 8/2013 Lee
 D688,221 S 8/2013 Zuffo et al.
 D688,660 S 8/2013 Akana et al.
 D689,455 S 9/2013 Daniel
 8,526,180 B2 9/2013 Rayner
 D690,693 S 10/2013 Akana et al.
 D691,133 S 10/2013 Akana et al.
 D692,881 S 11/2013 Akana et al.
 D693,324 S 11/2013 Wang
 D693,785 S 11/2013 Sutherland et al.
 D696,247 S 12/2013 Kim
 D697,911 S 1/2014 McManigal et al.
 D698,770 S 2/2014 Park
 D698,773 S 2/2014 Wildner
 8,640,868 B2 2/2014 O'Dowd et al.
 D702,219 S 4/2014 Suk
 D705,188 S 5/2014 Chau et al.
 D706,235 S 6/2014 Kim
 D706,251 S 6/2014 Park
 D706,301 S 6/2014 Akana et al.
 D706,776 S 6/2014 Akana et al.
 D707,223 S 6/2014 Akana et al.
 D708,608 S 7/2014 Sugiyama et al.
 D710,815 S 8/2014 Kim et al.
 8,804,353 B2 8/2014 Montevirgen et al.
 D712,384 S 9/2014 Hibi
 D712,405 S 9/2014 Akana et al.
 D713,833 S 9/2014 Wilkey
 D718,268 S 11/2014 Wu et al.
 8,879,245 B2 11/2014 Kim
 D719,941 S 12/2014 Kim et al.
 D720,747 S 1/2015 Kim et al.
 D721,344 S 1/2015 Lee et al.
 8,933,347 B2 1/2015 Kiple et al.
 D724,572 S 3/2015 Wildner
 8,989,826 B1 3/2015 Connolly
 D731,481 S 6/2015 Akana et al.
 D732,497 S 6/2015 Lee et al.
 D732,498 S 6/2015 Huang et al.
 D732,539 S 6/2015 Akana et al.
 D733,146 S 6/2015 Akana et al.
 D736,205 S 8/2015 Park et al.
 D739,391 S 9/2015 Chen et al.
 D741,279 S 10/2015 Tai et al.
 D742,351 S 11/2015 Chen et al.
 D743,391 S 11/2015 Akana et al.
 D744,993 S 12/2015 Diebel
 D746,275 S 12/2015 Mohammad
 D747,287 S 1/2016 Chang et al.
 D749,563 S 2/2016 Akana et al.
 9,256,252 B2 2/2016 Chao
 D750,620 S 3/2016 Zhai
 D750,729 S 3/2016 Sheikh et al.
 D751,051 S 3/2016 Cho et al.
 D752,010 S 3/2016 Kim
 D752,037 S 3/2016 Akana et al.
 9,274,142 B2 3/2016 Nickel et al.
 D754,125 S 4/2016 Akana et al.
 D759,008 S 6/2016 Akana et al.
 D760,217 S 6/2016 Akana et al.
 D761,226 S 7/2016 Poulin
 D762,207 S 7/2016 Akana et al.
 D762,607 S * 8/2016 Yoon D14/138 G
 D762,608 S * 8/2016 Yoon D14/138 G
 D762,610 S 8/2016 Joung et al.
 D767,522 S 9/2016 Wu et al.
 D769,208 S 10/2016 Ho et al.
 9,462,094 B2 10/2016 Liu et al.
 D770,411 S 11/2016 Zhang
 D770,433 S 11/2016 Kangasmaa et al.
 D771,607 S 11/2016 Kim et al.
 D771,622 S 11/2016 Akana et al.
 D771,623 S 11/2016 Akana et al.

(56)

References Cited

U.S. PATENT DOCUMENTS

D772,865	S	11/2016	Akana et al.	
D774,499	S	12/2016	Fathollahi	
D777,700	S	1/2017	Kwon et al.	
9,537,219	B2	1/2017	Ayala et al.	
D778,867	S	2/2017	Husgafvel et al.	
D779,484	S	2/2017	Akana et al.	
9,577,318	B2	2/2017	Pascolini et al.	
D780,748	S	3/2017	Wang et al.	
D781,807	S	3/2017	Hubbard et al.	
9,594,147	B2	3/2017	Han et al.	
D783,565	S	4/2017	Kim et al.	
D783,566	S	4/2017	Kim et al.	
D783,602	S	4/2017	Akana et al.	
D784,314	S	4/2017	Ryu et al.	
D784,315	S	4/2017	Ryu et al.	
D786,229	S	5/2017	Kim et al.	
D790,535	S	6/2017	Akana et al.	
D792,366	S	7/2017	Zhang et al.	
D792,386	S	7/2017	Lee et al.	
D794,623	S	8/2017	Kwon et al.	
D796,497	S	9/2017	Kim et al.	
9,761,927	B2	9/2017	Kasar et al.	
D798,851	S	10/2017	Kim et al.	
D798,852	S	10/2017	Kim et al.	
D800,710	S	10/2017	Ryu et al.	
D800,716	S	10/2017	Akana et al.	
D801,321	S	10/2017	Kim et al.	
D803,209	S	11/2017	Akana et al.	
D805,495	S	12/2017	Kester et al.	
D806,705	S	1/2018	Akana et al.	
D810,715	S	2/2018	Cho et al.	
D831,625	S *	10/2018	Cho	D14/248
D835,620	S	12/2018	Akana et al.	
D919,589	S *	5/2021	Ji	D14/138 G
D933,626	S *	10/2021	Zhu	D14/138 G
D942,437	S *	2/2022	Wang	D14/248
D946,547	S *	3/2022	Kim	D14/138 G
D946,548	S *	3/2022	Kim	D14/138 G
D947,826	S *	4/2022	Kim	D14/248
D947,851	S *	4/2022	Akana	D14/439
D949,121	S *	4/2022	Doi	D14/138 G
D951,897	S *	5/2022	Ha	D14/138 G
D966,225	S *	10/2022	Cha	D14/138 G
2009/0247244	A1	10/2009	Mittleman et al.	
2011/0050560	A1	3/2011	Foster et al.	
2011/0117971	A1	5/2011	Kim et al.	
2011/0268218	A1	11/2011	Kang et al.	
2012/0088555	A1	4/2012	Hu	
2012/0168577	A1	7/2012	Cheng	
2012/0170189	A1	7/2012	Li et al.	
2012/0329535	A1	12/2012	Kuo	
2013/0321237	A1	12/2013	Woodhull et al.	
2013/0331156	A1	12/2013	Lui	
2016/0191095	A1	6/2016	Santelli	
2022/0286539	A1 *	9/2022	Stobbe	H04M 1/035

FOREIGN PATENT DOCUMENTS

CN	301139661	S	2/2010
CN	301161836	S	3/2010
CN	301271887	S	6/2010
CN	301300814	S	8/2010
CN	301794564	S	1/2012
CN	301867415	S	3/2012
CN	302242618	S	12/2012
CN	302268386	S	1/2013
CN	302279529	S	1/2013
CN	302321988	S	2/2013
CN	302333118	S	2/2013
CN	302350915	S	3/2013
CN	302404040	S	4/2013
CN	302430473	S	5/2013
CN	202998218	U	6/2013
CN	302455942	S	6/2013
CN	302476338	S	6/2013

CN	302560014	S	9/2013
CN	302588771	S	9/2013
CN	302606411	S	10/2013
CN	302619300	S	10/2013
CN	302748579	S	2/2014
CN	302808732	S	4/2014
CN	302873818	S	7/2014
CN	302982246	S	10/2014
CN	303000183	S	11/2014
CN	303000194	S	11/2014
CN	303453788	S	11/2015
CN	303617715	S	3/2016
CN	303647864	S	4/2016
CN	303774339	S	8/2016
CN	303805687	S	8/2016
CN	304095914	S	4/2017
CN	304095915	S	4/2017
CN	304130421	S	5/2017
DM	095015		2/2017
EM	002088591-0001		8/2012
GB	6163381	*	9/2021
HK	2118728-0001	*	1/2022
IN	210894-0001		6/2007
IN	210897-0001		6/2007
IN	2768570001		2/2016
JP	D1326330	S	4/2008
JP	D1351277	S	2/2009
JP	D1456810	S	12/2012
JP	D1469635	S	5/2013
JP	D1478342	S	9/2013
JP	1548987	S	5/2016
JP	1563161	S	11/2016
JP	1574816	S	4/2017
JP	D1600999	S	4/2018
KR	300606828		7/2011
KR	300849814		4/2016
KR	300902453		9/2017
RU	85816		7/2013
RU	89999	U1	9/2014
RU	90363	U1	10/2014
RU	104650	U1	8/2017
TW	D149042	S	9/2012
TW	D169484	S	8/2015
TW	D172231	S	12/2015
TW	218659-0001	*	5/2022
WO	WO-DM080555	S	2/2013

OTHER PUBLICATIONS

Compared: iPhone 14 & iPhone 14 Plus vs. iPhone 13 & iPhone 13 mini, Oct. 7, 2022, [retrieved Dec. 14, 2022], Retrieved from Internet, URL: <<https://appleinsider.com/inside/iphone-14/vs/compared-iphone-14-iphone-14-plus-vs-iphone-13-iphone-13-mini>> (Year: 2022).*

iPhone 13 Pro, Pro Max Review, Sep. 24, 2021, [retrieved Dec. 14, 2022], Retrieved from Internet, URL: <<https://www.forbes.com/sites/bensin/2021/09/24/iphone-13-pro-pro-max-review-the-best-video-cameras-again/?sh=2c1265ec71b3>> (Year: 2021).*

iPhone 13 vs iPhone 14. Nov. 14, 2022, [retrieved Dec. 14, 2022], Retrieved from Internet, URL: <<https://9to5mac.com/2022/11/14/iphone-13-vs-iphone-14-which-should-you-buy/>> (Year: 2022).*

iPhone 13 vs. iPhone 13 Pro, Apr. 7, 2022, [retrieved Dec. 14, 2022], Retrieved from Internet, URL: <<https://www.macworld.com/article/357943/iphone-13-vs-iphone-13-pro-camera-display-battery.html>> (Year: 2022).*

iPhone 14 vs iPhone 13: main differences, Nov. 3, 2022, [retrieved Dec. 14, 2022], Retrieved from Internet, URL: <https://www.phonearena.com/reviews/iphone-14-vs-iphone-13_id5405> (Year: 2022).*

iPhone 14 vs. iPhone 13, Sep. 28, 2022, [retrieved Dec. 14, 2022], Retrieved from Internet, URL: <<https://www.cnn.com/cnn-underscored/electronics/iphone-14-vs-iphone-13>> (Year: 2022).*

Which Size iPhone 13 Is Right For You?, Sep. 24, 2021, [retrieved Dec. 14, 2022], Retrieved from Internet, URL: <<https://www.pcmag.com/news/sizing-up-apples-iphone-13-family-side-by-side-photo-showdown>> (Year: 2021).*

(56)

References Cited

OTHER PUBLICATIONS

Everythingapplepro E A P “iPhone 11 Pro & Triple Lens iPads! Exclusive Leaks!” Youtube.com, Video, dated Aug. 13, 2019, Available at <https://www.youtube.com/watch?v=o4kQkwZi3k>.

Apple “Apple introduces dual camera iPhone 11” Apple.com Press Release, dated Sep. 10, 2019, Available at <https://www.apple.com/newsroom/2019/09/apple-introduces-dual-camera-iphone-11/>.

The Verge “iPhone 11 Review: The Phone Most People Should Buy” Youtube.com, Video, dated Sep. 17, Available at <https://www.youtube.com/watch?v=Rr9RvTHNmPY>.

Apple iPhone 5 pictures, as posted at GsmArena.com [online], [retrieved on Apr. 27, 2017]. Available on the Internet, (URL: http://www.gsmarena.com/apple_iphone_5-pictures-4910.php#image15), dated Sep. 2012.

Apple iPhone 7 is here with a water resistant body, better cameras, 256GB capacity & no headphone jack, dated Sep. 8, 2016. Retrieved from Internet, (URL: <https://collinsdail.blogspot.com/2016/09/apple-iphone-7-is-here-with-water.html>).

Apple iPhone 7 and 7plus | New Camera, dated Sep. 8, 2016. Retrieved from Internet, (URL: <http://sujoyrdas.blogspot.com/2016/09/apple-iphone-7-and-7plus-new-camera.html>).

Brownlee, Marques, “Apple iPhone X Unboxing!” Youtube.com, dated Oct. 31, 2017, Available at (<https://youtu.be/ODoQYGZt8M?t=68>).

Carlson, Ronald, Tapscape.com , “Translucent iPhone: Will Apple Revisit G3 iMac?,” accessed at <http://www.tapscape.com/translucent-iphone/>, accessed on Apr. 3, 2013, 3 pages.

ConceptsiPhone, “iPhone 8 and iPhone 8 Plus—Introducing” Youtube, dated Oct. 7, 2016, accessed at (<https://www.youtube.com/watch?v=WSf8aJYcJg>).

Cultofandroid, “This Android-Powered iPhone 5C Clone Will Cost Just \$100 In China” accessed at http://www.cultofandroid.com/40408/this-android-powered-iphone-5c-clone-will-cost-just-100-in-china/?utm_campaign=twitter&utm_medium=twitter&utm_source=twitter, dated Aug. 27, 2013, 2 pages.

Daily Life News, “iPhone 5s Leaked Images Hint 2 Different Screen Sizes.” accessed at <https://www.youtube.com/watch?v=8tcTHa63WHI>, dated Apr. 10, 2013, 4 pages.

Engadget, “Meizu’s M8? Apple lawyers, start your engines”, accessed at <http://www.engadget.com/2007/01/29/meizus-m8-apple-lawyers-start-your-engines/>, dated Jan. 29, 2007, 3 pages.

Everythingapplepro, “The 2018 iPhone X Plus Will be BIG!” Youtube.com, dated Feb. 12, 2018, Retrieved from the Internet: (<https://youtu.be/m2iMjPakTeQ?t=14>).

Faulkner, Cameron, “Essential Phone Review”, Tech Radar, dated Nov. 25, 2017, accessed at Retrieved from the Internet: (URL: <http://www.techradar.com/reviews/essential-phone>).

Gokey, M., “LG G3 vs. HTC One M8: Which Android Flag Should iPhone Haters Fly?,” dated Sep. 18, 2014, accessed at www.digitaltrends.com/mobile/lg-g3-vs-htc-one-m8/, 12 pages.

Gorsler, Fabian, “Leak Suggests Apple Will Release 3 New iPhone Models in 2018” Highsnobiety.com, dated Nov. 14, 2017, Retrieved from the Internet: (<https://www.highsnobiety.com/2017/11/14/three-new-iphones-2018/>).

Gsmarena, “Nokia Lumia 820 ”, accessed at http://www.gsmarena.com/nokia_lumia_820-4968.php , dated Aug. 29, 2013, 2 pages.

Gsmarena, “Xiaomi MI-2 ”, accessed at http://www.gsmarena.com/xiaomi_mi_2-4928.php , dated Aug. 29, 2013, 2 pages.

Gsmarena, “Xiaomi MI-2s ”, accessed at http://www.gsmarena.com/xiaomi_mi_2s-5397.php , dated Aug. 29, 2013, 2 pages.

Hands-On With an iPhone 8 Dummy Model, dated Aug. 10, 2017. Retrieved from Internet, (URL: <https://www.youtube.com/watch?v=YuQUBhOAbUM>).

Identify your iPhone Model, dated Jan. 23, 2017. Retrieved from the Internet URL: <https://support.apple.com/en-us/HT201296>.

“iPhone 6, Une Enieme Maquette Comparee Avec L’iPhone 5s,” dated May 3, 2014, accessed at <http://www.nowhereelse.fr/iphone-6-maquette-comparee-iphone-5s-97315/>, 2 pages.

K11 Bumper vs. RhinoShield Crash Guard: Super Thin Protective Bumpers for iPhone 6s Plus!, dated Feb. 23, 2016. Retrieved from Internet, <url:<https://www.youtube.com/watch?v=eX5ETZkOhj4>>, 3 pages.

Karmakar, Amit, “The iPhone X plus 2018 Dummy model and leaks” Youtube.com, dated Dec. 1, 2017, Retrieved from the Internet: (<https://www.youtube.com/watch?v=1pEesxiOd4>).

MacManus, Christopher, cnet.com, “Artist pictures a budget iPhone— in color.” accessed at <http://www.cnet.com/au/news/artist-pictures-a-budget-iphone-in-color/>, dated Mar. 21, 2013, 4 pages.

Maggio, Edoardo, “These renders show what Apple might have planned for the successor to the iPhone X” BusinessInsider.com, dated Jan. 24, 2018, Retrieved from the Internet: (<https://www.businessinsider.com.au/martin-hajek-renders-apple-2018-iphone-x-successor-2018-1?r=US&IR=T>).

Mayo, B., “Purported iPhone 6 Pictures Show Protruding Camera, Rounded Edges,” 9to5Mac.com, accessed at <http://9to5mac.com/2014/03/31/purported-iphone-6-pictures-show-protruding-camera-rounded-edges/>, 23 pages, dated Mar. 31, 2014.

Mia P., “Apple Leak Reveals All Glass Phone With 3D Sensor; Touch Bar Feature Redefines Emoji Use; Is This iPhone 8?” GameNGuide, dated Oct. 31, 2016, accessed at (<http://www.gamenguide.com/articles/60727/20161031/apple-leak-reveals-all-glass-phone-with-3d-sensor-touch-bar-feature-redefines-emoji-use-is-this-iphone-8.htm>).

Nokia, “Nokia Lumia 820—Our most versatile Lumia”, accessed at <http://www.nokia.com/global/products/phone/lumia820/>, dated Aug. 29, 2013, 6 pages.

@NowhereElseFr, “Just Another Purported #iPhone6 or#iPhoneAir Dummy . . . #Apple,” dated May 4, 2014, accessed at <https://twitter.com/NowhereElseFr/status/462938116924264448/photo/1>, 5 pages.

@Onleaks, “#iPhone X!!! Yes, time has already come to meet the new #iPhone . . .” dated Jan. 6, 2019, accessed at <https://twitter.com/Onleaks/status/1081902300434780161>, 5 pages.

Photo-John, “Apple’s iPhone 5 Camera—What’s New?,” as archived at <https://web.archive.org/web/20140805181048/http://www.photographyreview.com/reviews/apple-iphone-5-camera-whats-new>, dated Sep. 12, 2012, 3 pages.

Schroeder,S., “Sharp Aquos S2 is a Nearly Bezel-Less Phone with Mid-Range Specs,” Mashable, dated Aug. 8, 2017, Retrieved from the Internet:(URL: <http://mashable.com/2017/08/08/sharp-aquos-s2/#C05q3N0tzOqV>), 10 Pages.

“Sharp Executive Confirms iPhone 8 to Use OLED Display; Limited to Only Premium 5.5-inch Plus Model” dated Oct. 29, 2016, accessed at (<http://www.redsn0w.us/2016/10/sharp-executive-confirms-iphone-8-to.html>).

Stuff Staff in News, stuffmideast.com “Apple’s new iPhone to come in a five colours.” accessed at <http://stuffmideast.com/2013/04/11/151344/apples-new-iphone-to-come-in-a-five-colours/>, dated Apr. 11, 2013, 1 page.

Stuff.tv, “Sparse wallets rejoice, the plastic budget iPhone 5S cometh, The iPhone 5S may not be an incremental increase but a decrease, in price and build quality.” accessed at <http://www.stuff.tv/news/sparse-wallets-rejoice-plastic-budget-iphone-5s-cometh>, dated Mar. 23, 2013, 1 page.

Swift, “BBK Vivo Xplay X51 Ow Review,” dated Oct. 21, 2013, accessed at <http://chinesetech.net/2013/10/21/bbk-vivo-xplay-x51ow-review/>, 12 pages.

Team Digit, “Exclusive: First look at 2019 Apple iPhone XI renders,” dated Jan. 6, 2019. Retrieved from the Internet: (<https://www.digit.in/news/mobile-phones/exclusive-first-look-at-2019-iphone-xi-renders-45655.html>), 3 pages.

TechDesigns, “iPhone 8 Official 2017—Concept” Youtube, dated Oct. 27, 2016, accessed at (<https://www.youtube.com/watch?v=LYUJYLD1XR0>).

Verykool Spark LTE SL5011 review: All that glitters is not gold, dated May 24, 2016. Retrieved from Internet, (URL:<https://www.androidguys.com/reviews/verykool-spark-lte-sl5011-review-all-that-glitters-is-not-gold/>).

welectronics.com, “Xiaomi MI 2 GSM unlocked,” accessed at <http://www.welectronics.com/gsm/misc/XIAOMI-MI-2.HTML?gclid=CK7Nr9bv-rYCFY0o4AodZOEAEW>, dated Aug. 29, 2013, 2 pages.

(56)

References Cited

OTHER PUBLICATIONS

Wu, Debbie, "All three iPhone 8 models to have glass backs" Nikkei Asian Review, dated Oct. 26, 2016, accessed at (<https://asia.nikkei.com/Business/Companies/All-three-iPhone-8-models-to-have-glass-backs?page=1>).

Geskin, Ben, "2020 iPhone concept with all-new, all-screen design, no notch and time-of-flight camera." Twitter.com, dated Sep. 27, 2019.

Epstein, Ben, "This is the stunning iPhone 12 of our dreams, but it's too good to be true" BGR News, dated Oct. 2, 2019.

Apple, "iPad Pro" Apple.com, dated Nov. 15, 2018.

Apple, "iPhone 12," Apple.com, dated Oct. 13, 2020.

* cited by examiner

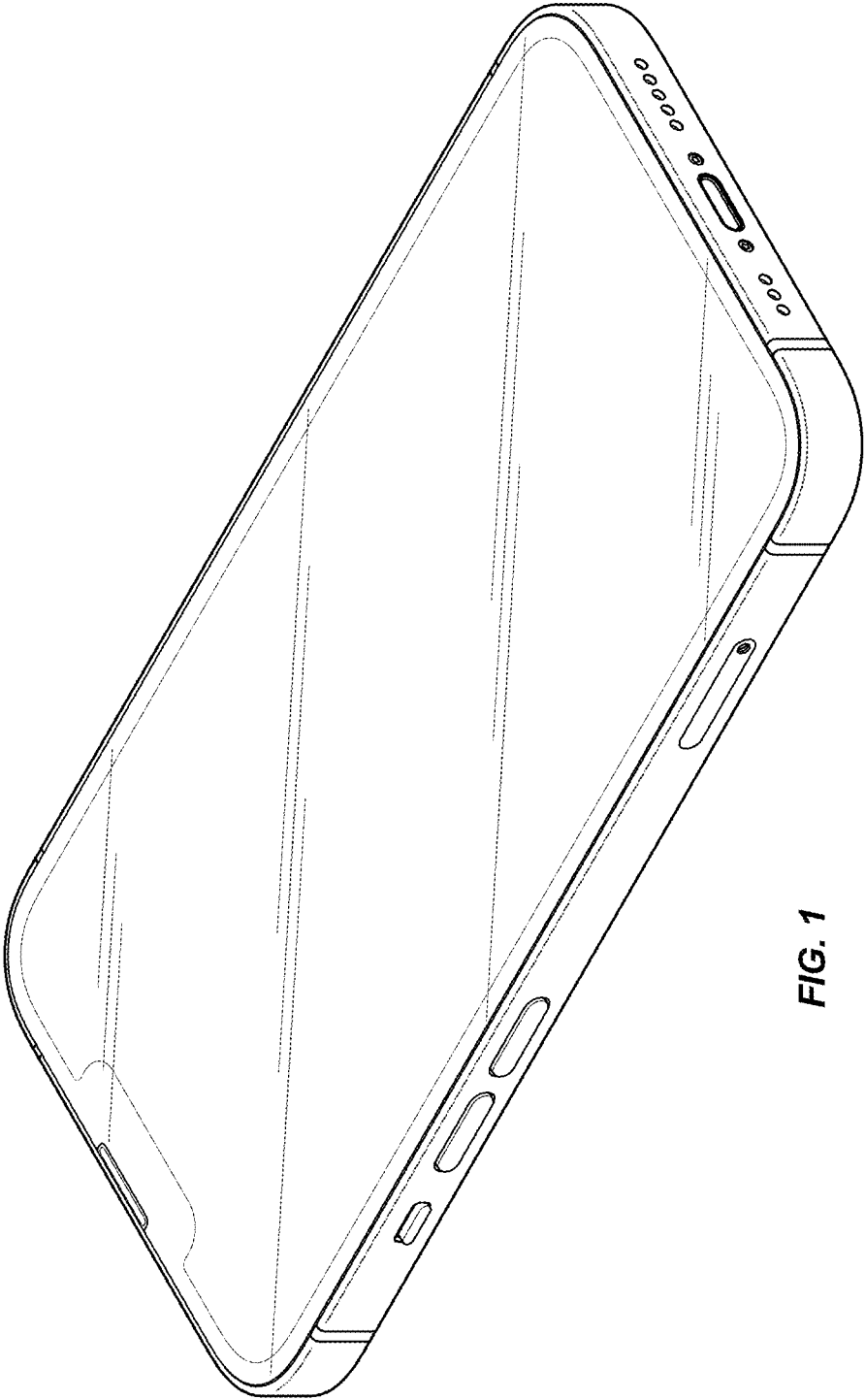


FIG. 1

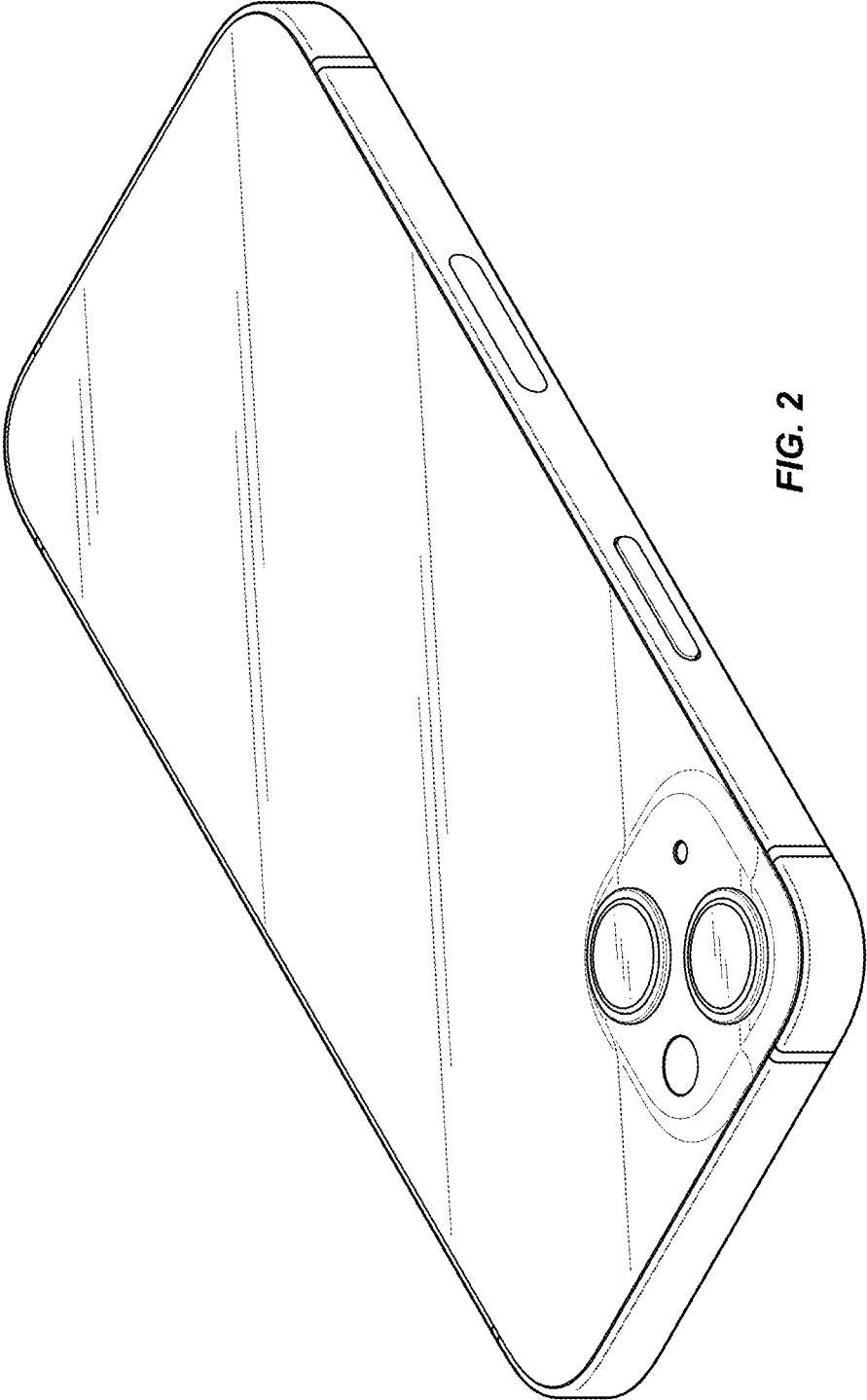


FIG. 2

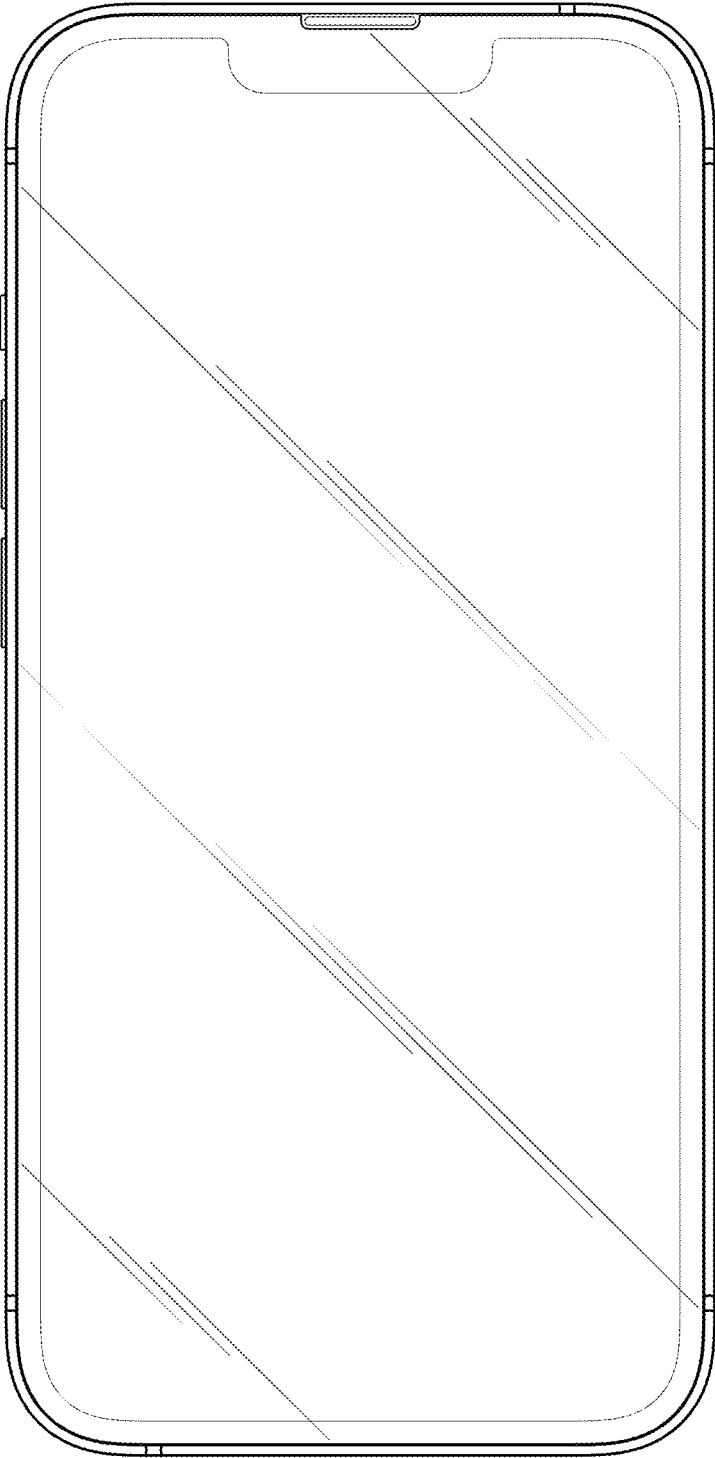


FIG. 3

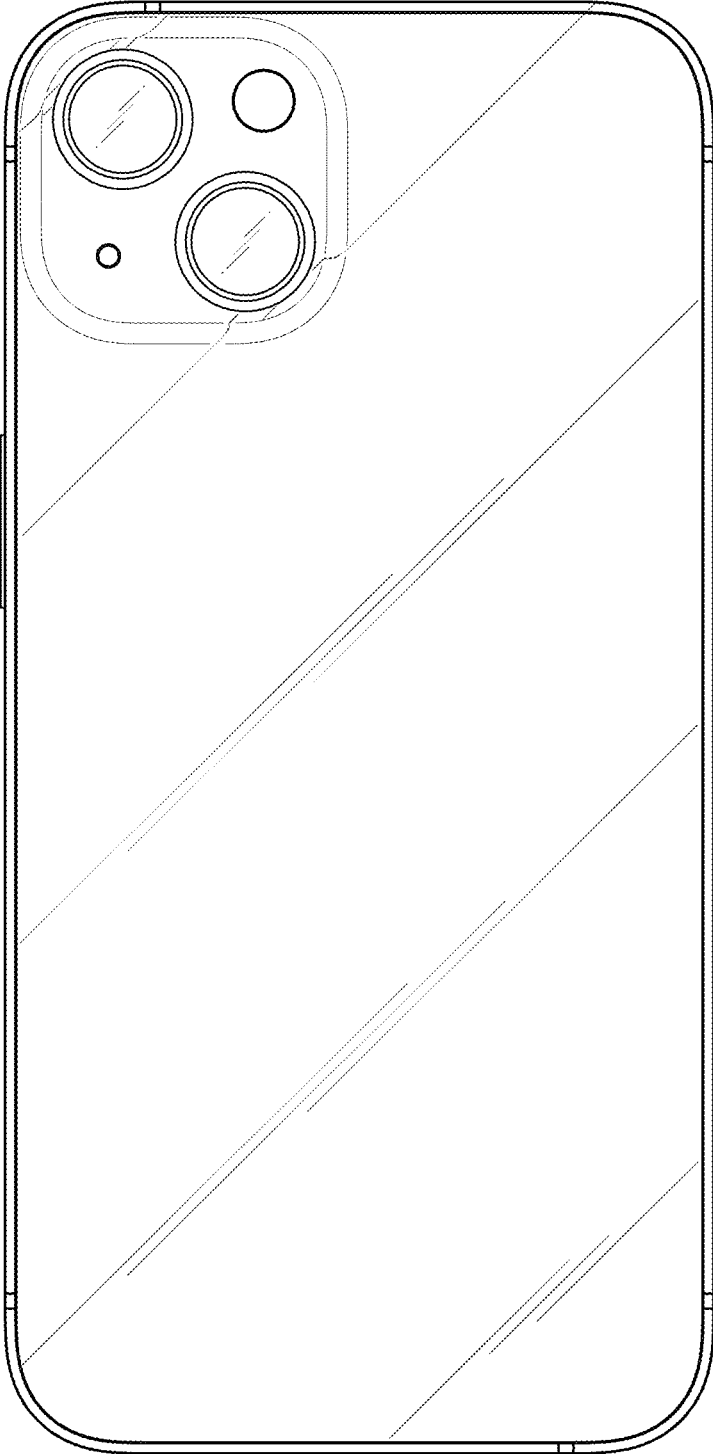


FIG. 4

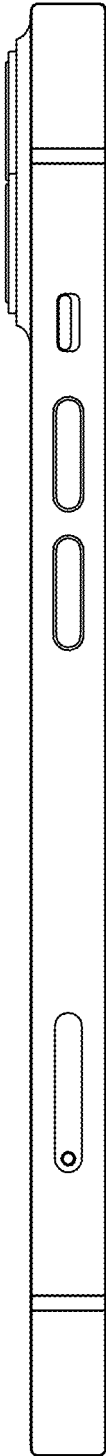


FIG. 5



FIG. 6



FIG. 7

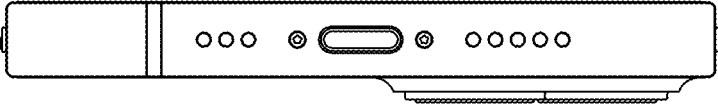


FIG. 8