



US00D782844S

(12) **United States Design Patent**
Goodman et al.

(10) **Patent No.:** **US D782,844 S**

(45) **Date of Patent:** **** Apr. 4, 2017**

- (54) **SPONGE AND BRUSH CRADLE**
- (71) Applicant: **Spectrum Diversified Designs, Inc.**,
Streetsboro, OH (US)
- (72) Inventors: **Sheldon H. Goodman**, Solon, OH
(US); **Phaysouk Xayoiphonh**, Akron,
OH (US)
- (73) Assignee: **Spectrum Diversified Designs, LLC**,
Streetsboro, OH (US)
- (**) Term: **14 Years**
- (21) Appl. No.: **29/507,693**
- (22) Filed: **Oct. 30, 2014**
- (51) **LOC (10) Cl.** **06-04**
- (52) **U.S. Cl.**
USPC **D6/567; D6/536**
- (58) **Field of Classification Search**
USPC D6/524, 525, 536-537, 540, 566, 567,
D6/320, 520; 211/13.1, 74, 71.01, 86.01,
211/75, 88.01, 90.01, 90.03, 106, 119,
211/126.1, 133.5, 181.1, 134, 87.01;
D3/306; D32/55-56; D7/637;
248/206.2, 206.3
CPC .. B23P 17/04; A47K 1/09; A47K 1/08; A47K
3/281; F16B 47/00
See application file for complete search history.

D532,236 S *	11/2006	Dretzka	D6/567
D534,024 S *	12/2006	Dretzka	D6/567
D563,136 S *	3/2008	Kramer	D6/553
D566,919 S *	4/2008	Snell	D32/55
D626,363 S *	11/2010	Yang	D6/525
D637,850 S *	5/2011	Ghiorghie	D3/306
D723,302 S *	3/2015	Goodman	D6/566

OTHER PUBLICATIONS

Amazon.com, Spectrum Diversified 10950 Royo Sponge & Brush Holder, Oct. 24, 2015, http://www.amazon.com/Spectrum-Diversified-10950-Sponge-Holder/dp/B0105KEET2/ref=sr_1_12?ie=UTF8&qid=1460480463&sr=8-12&keywords=Sponge+and+Brush+Cradle.*

* cited by examiner

Primary Examiner — David Muller
Assistant Examiner — Nathan Johnston
(74) *Attorney, Agent, or Firm* — Benesch, Friedlander, Coplan & Aronoff

(57) **CLAIM**

What is claimed is the ornamental design for a sponge and brush cradle, as shown and described.

DESCRIPTION

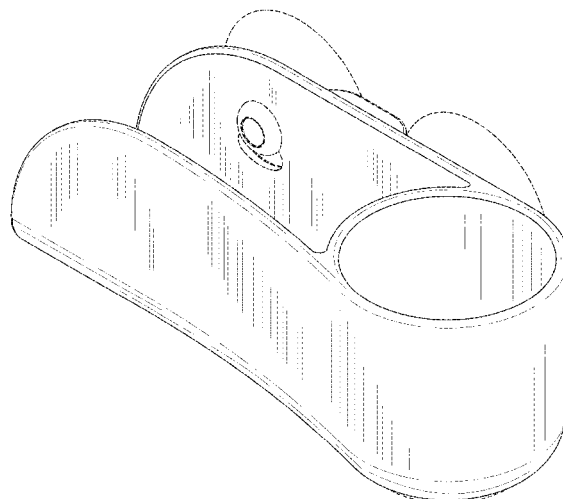
FIG. 1 is a perspective view of a sponge and brush cradle showing our new design;
FIG. 2 is a front elevation view thereof;
FIG. 3 is a rear elevation view thereof of the sponge and brush cradle of FIG. 1;
FIG. 4 is a top plan view thereof;
FIG. 5 is a bottom plan view thereof;
FIG. 6 is a right side elevation view thereof; and,
FIG. 7 is a left side elevation view thereof.
The broken line showing of parts of the drawings is included for the purpose of illustrating portions of the sponge and brush cradle and form no part of the claimed design.

1 Claim, 4 Drawing Sheets

(56) **References Cited**

U.S. PATENT DOCUMENTS

D131,229 S *	1/1942	Allen	D6/566
2,678,735 A *	5/1954	Creedon	F25D 25/00
			211/151
2,936,146 A *	5/1960	Wunder	A47D 7/04
			108/152
5,039,046 A *	8/1991	Brewster	A47F 7/28
			248/105
D483,587 S *	12/2003	Snell	D6/525
D512,255 S *	12/2005	Snell	D6/567



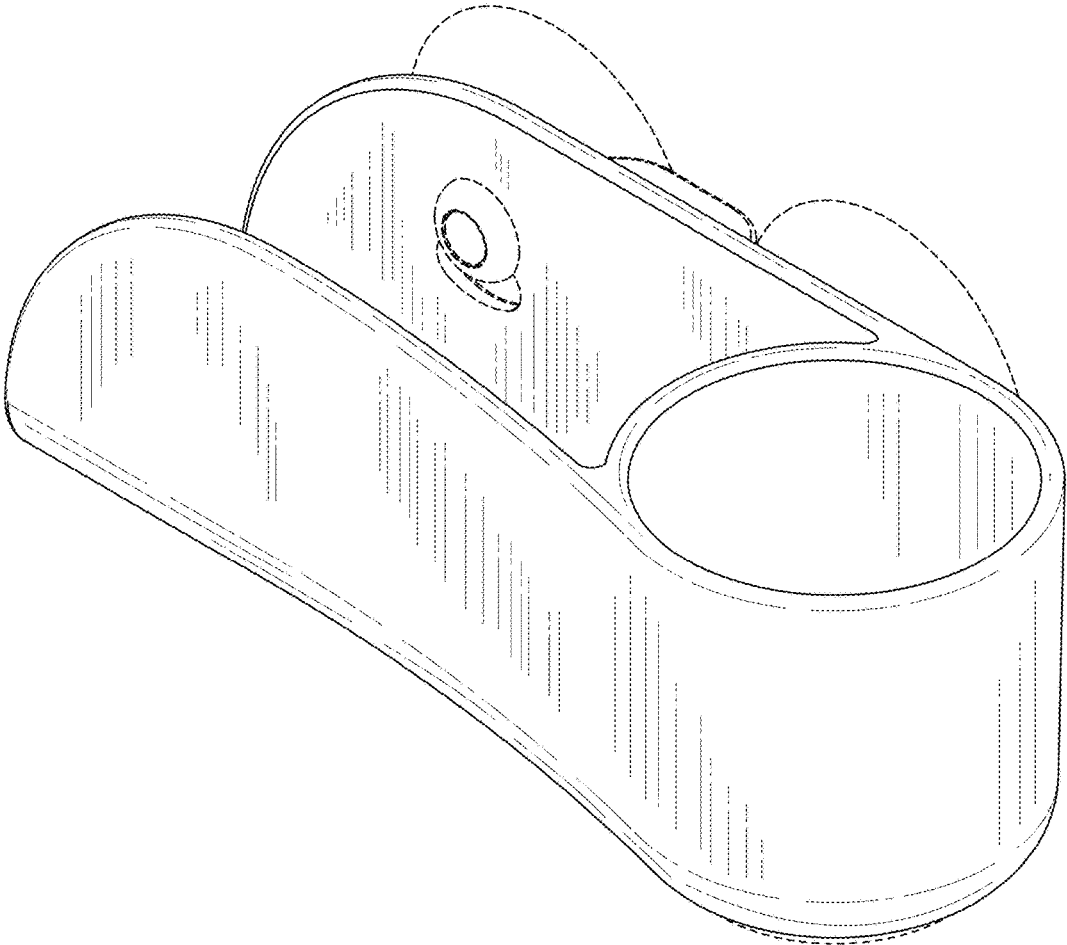


FIG. 1

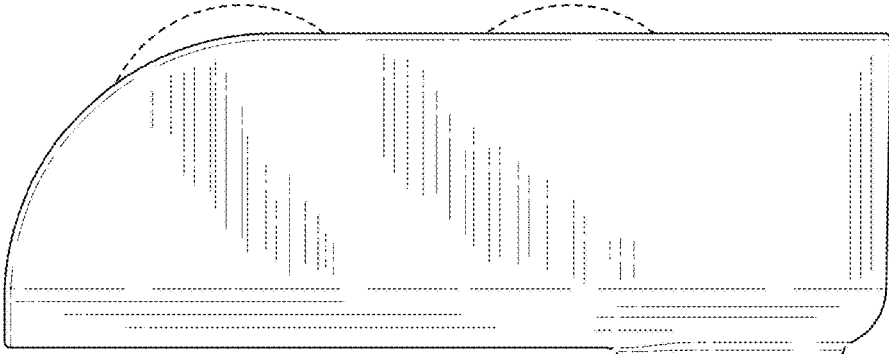


FIG. 2

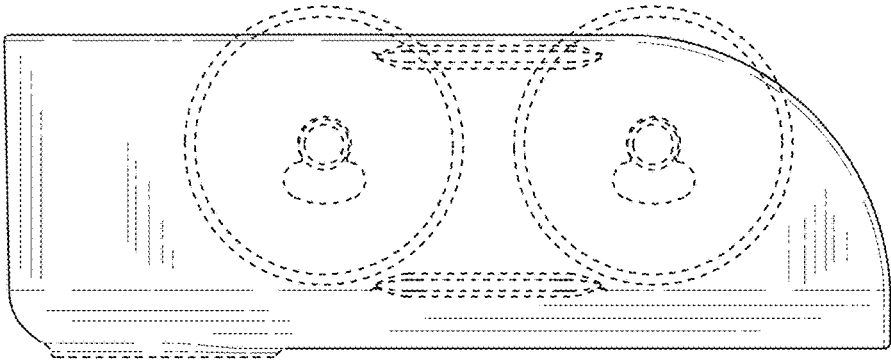


FIG. 3

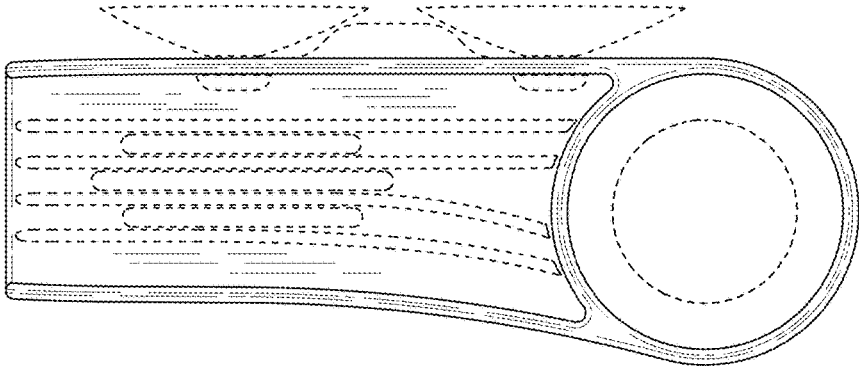


FIG. 4

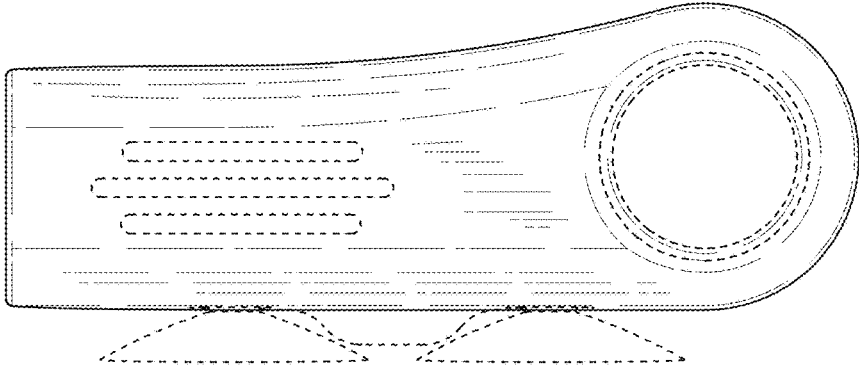


FIG. 5

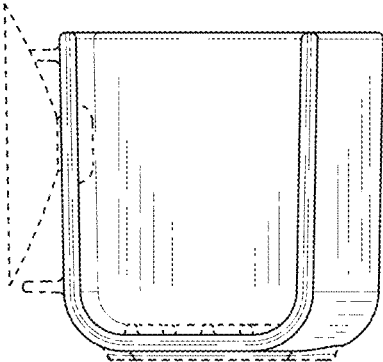


FIG. 6

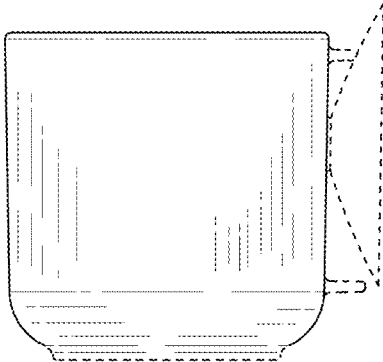


FIG. 7