



US00D763005S

(12) **United States Design Patent**
Rawls-Meehan

(10) **Patent No.:** **US D763,005 S**

(45) **Date of Patent:** **** Aug. 9, 2016**

- (54) **ADJUSTABLE BED** 2007/0220677 A1* 9/2007 Dewert A47C 20/08
5/618
- (71) Applicant: **ASCION, LLC**, Bloomfield Hills, MI 2009/0193587 A1* 8/2009 Neuenswander A47C 20/041
(US) 5/618
- 2011/0247138 A1* 10/2011 Clenet A47C 20/04
5/613
- (72) Inventor: **Martin B. Rawls-Meehan**, Franklin, MI 2013/0283531 A1 10/2013 Rawls-Meehan
(US) 2014/0000033 A1* 1/2014 Clenet A61G 7/015
5/618
- (73) Assignee: **ASCION, LLC**, Bloomfield Hills, MI 2014/0352068 A1* 12/2014 Xu A47C 20/041
(US) 5/616

* cited by examiner

(**) Term: **14 Years**

(21) Appl. No.: **29/491,237**

(22) Filed: **May 19, 2014**

(51) **LOC (10) Cl.** **06-02**

(52) **U.S. Cl.**
USPC **D6/392**

(58) **Field of Classification Search**
USPC D6/382-384, 392-395, 702, 605;
5/53.1, 279.1, 280, 281, 907, 613, 616,
5/618, 722
CPC A47C 19/02; A61G 7/015; A61G 7/00;
A61G 7/0573

See application file for complete search history.

(56) **References Cited**

U.S. PATENT DOCUMENTS

- 3,061,843 A * 11/1962 Singer A47C 20/043
5/618
- 3,644,946 A * 2/1972 Swatt A47C 20/041
5/616
- 4,095,296 A * 6/1978 Ferro A47C 20/041
5/412
- 6,276,011 B1 * 8/2001 Antinori A47C 20/041
5/613
- 7,047,579 B2 * 5/2006 Piana A47C 21/026
5/193
- D653,870 S * 2/2012 Messenger D6/361
- D720,553 S * 1/2015 Rawls-Meehan D6/392
- 2005/0011005 A1 * 1/2005 Borda A47C 19/04
5/412

Primary Examiner — Janice Seeger

(74) *Attorney, Agent, or Firm* — Dinsmore & Shohl LLP;
Douglas L. Wathen

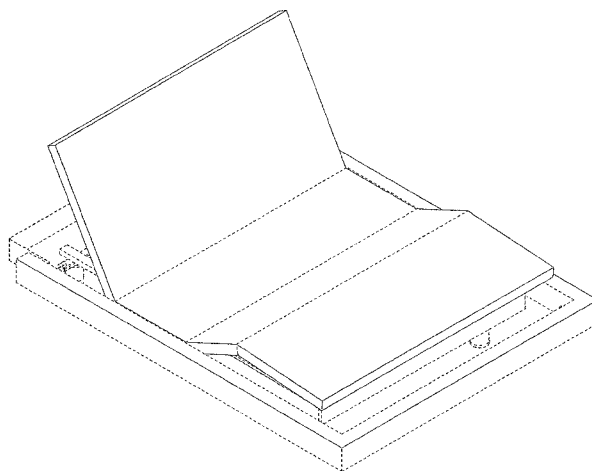
(57) **CLAIM**

The ornamental design for an adjustable bed, as shown and described.

DESCRIPTION

FIG. 1 is a perspective view of a first embodiment of an adjustable bed in accordance with the present invention; FIG. 2 is a side view of the adjustable bed of FIG. 1, the opposite side being a mirror image thereof; FIG. 3 is a top view of the adjustable bed of FIGS. 1 and 2; FIG. 4 is a rear view of the adjustable bed of FIGS. 1-3; FIG. 5 is a front view of the adjustable bed of FIGS. 1-4; FIG. 6 is a bottom view of the adjustable bed of FIGS. 1-5; FIG. 7 is a perspective view of a second embodiment of an adjustable bed in accordance with the present invention; FIG. 8 is a side view of the adjustable bed of FIG. 7, the opposite side being a mirror image thereof; FIG. 9 is a top view of the adjustable bed of FIGS. 7 and 8; FIG. 10 is a rear view of the adjustable bed of FIGS. 7-9; FIG. 11 is a front view of the adjustable bed of FIGS. 7-10; and, FIG. 12 is a bottom view of the adjustable bed of FIGS. 7-11. The broken lines are for environmental purposes only and form no part of the claimed design.

1 Claim, 12 Drawing Sheets



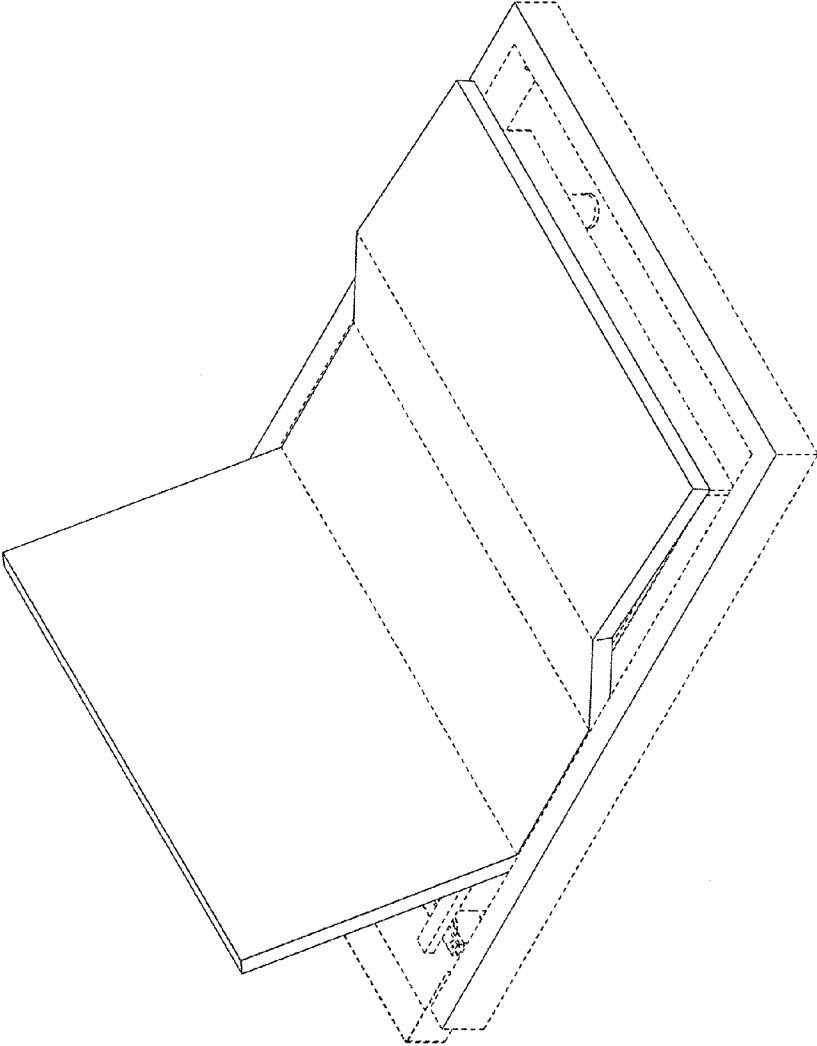


Fig. 1

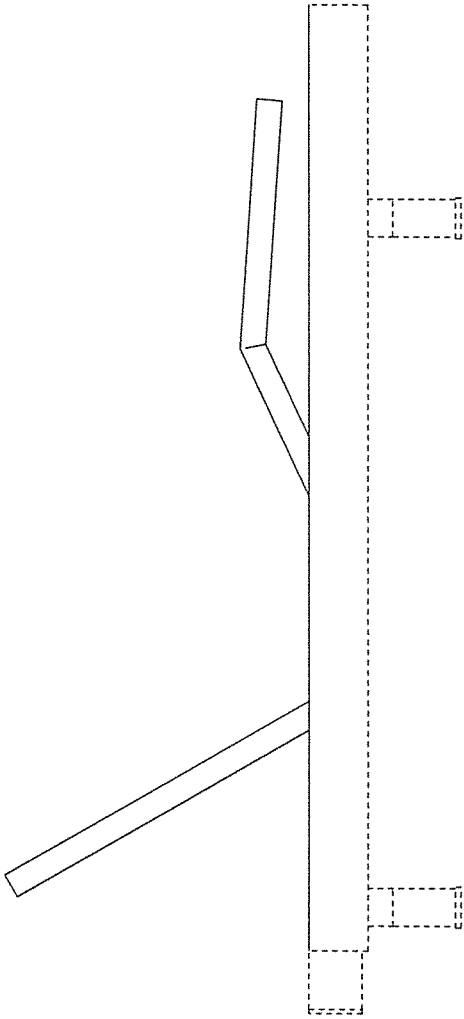


Fig. 2

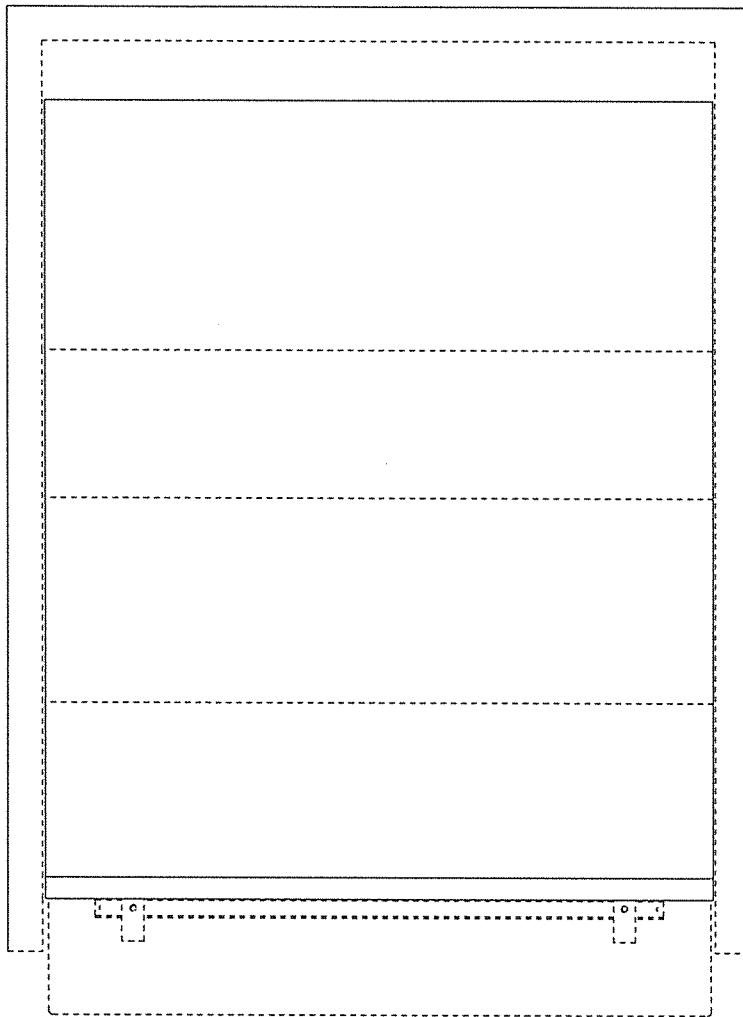


Fig. 3

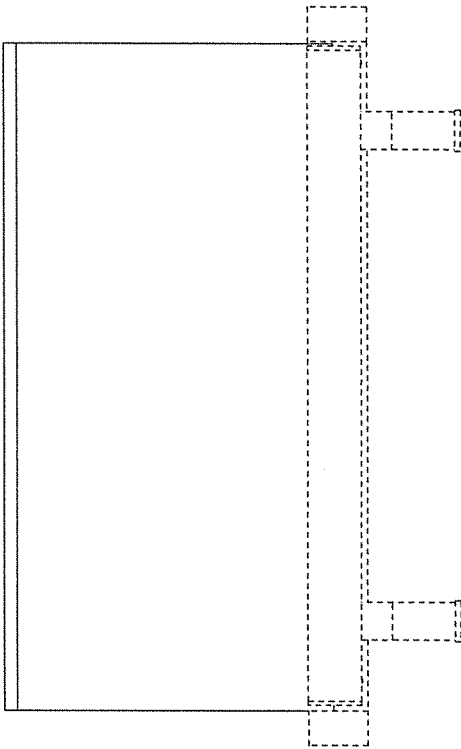


Fig. 4

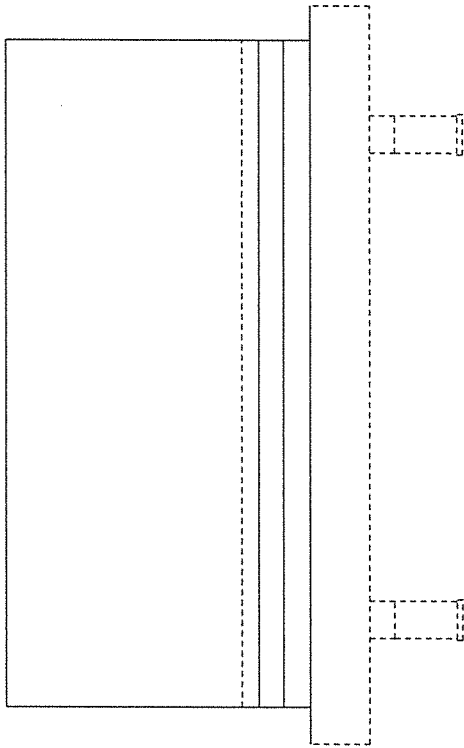


Fig. 5

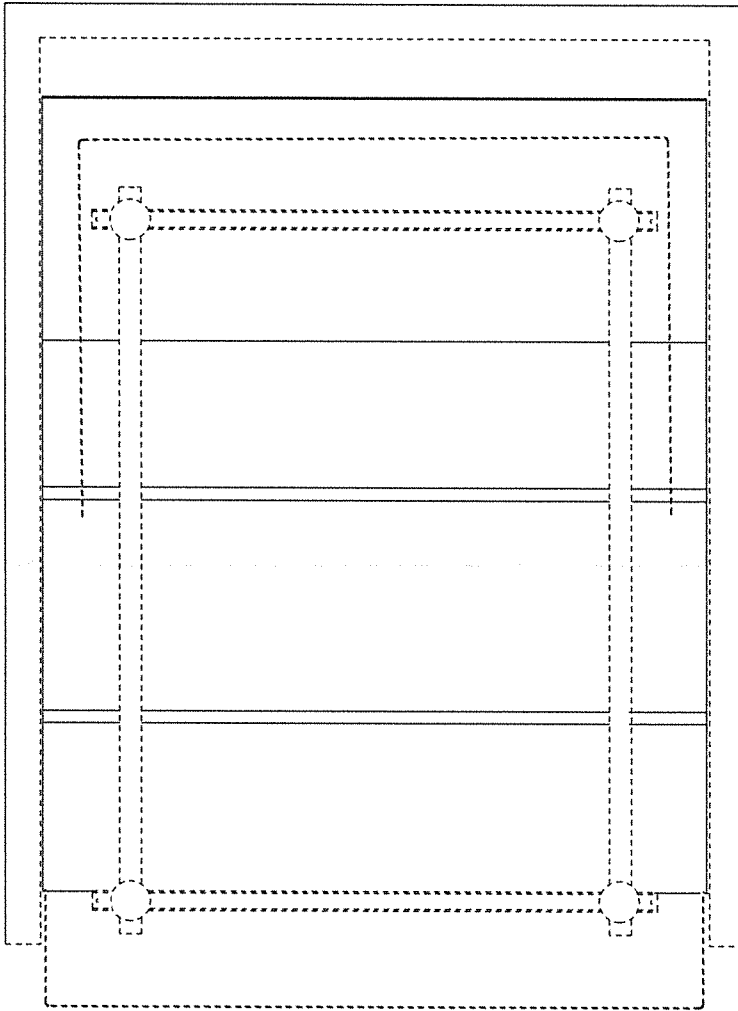


Fig. 6

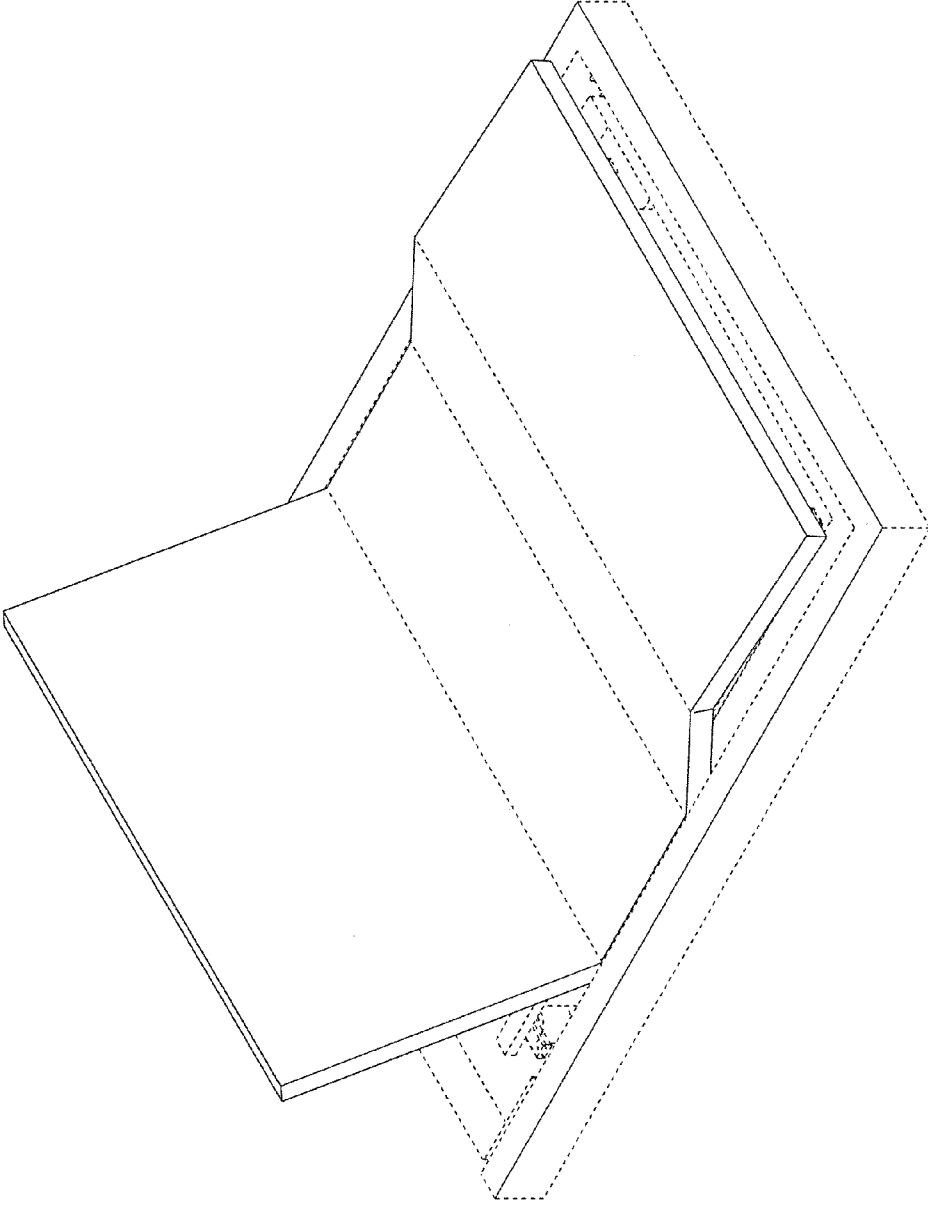


Fig. 7

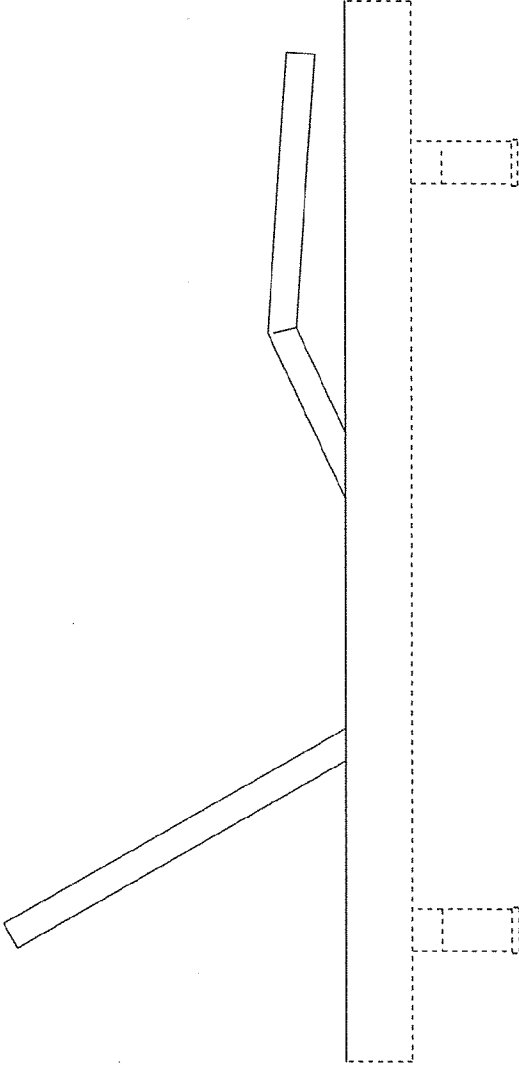


Fig. 8

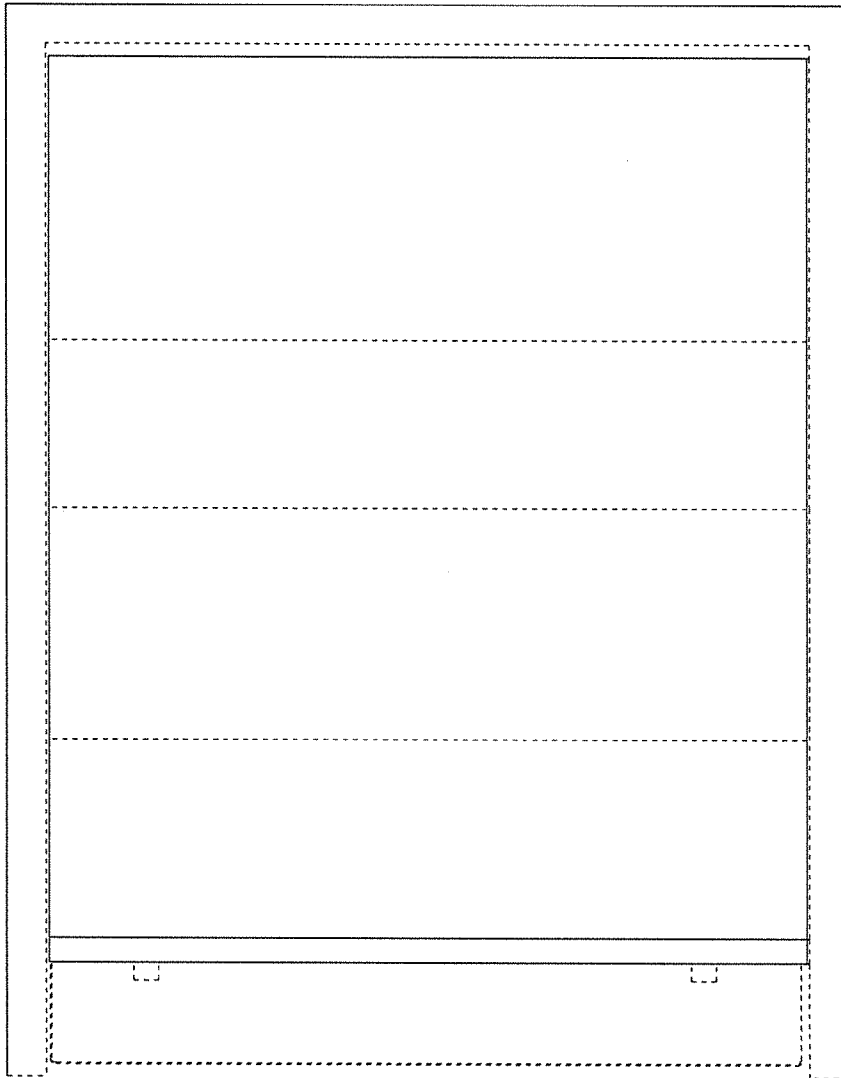


Fig. 9

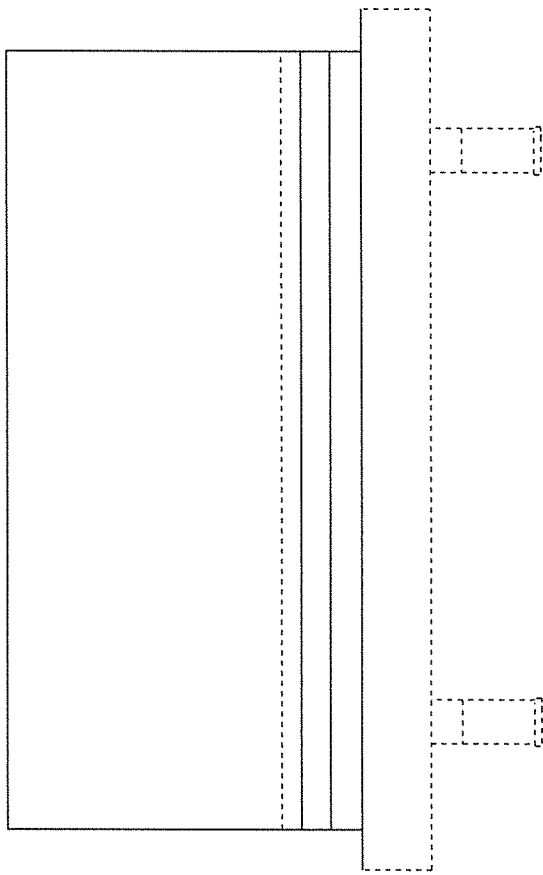


Fig. 10

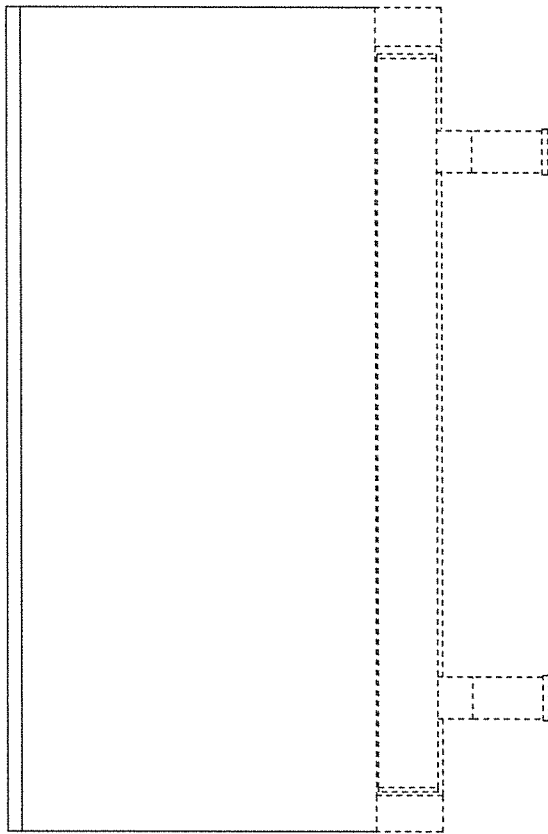


Fig. 11

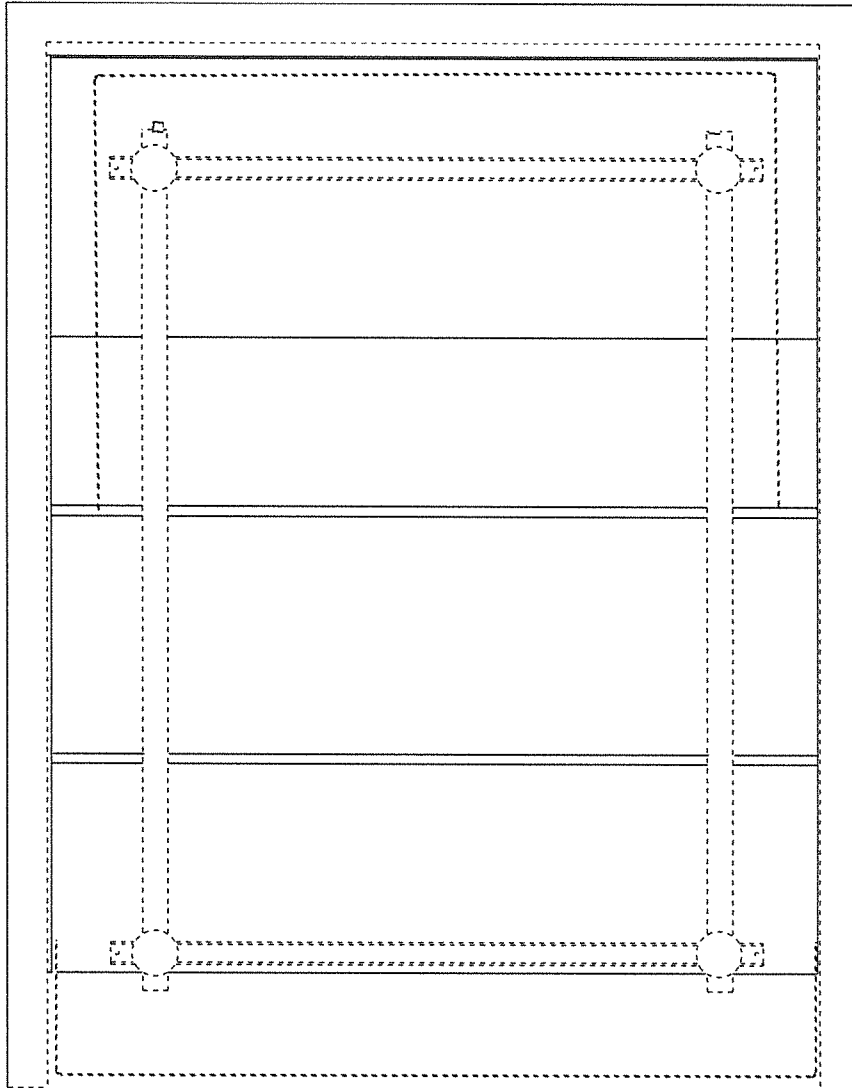


Fig. 12