

(19) World Intellectual Property
Organization
International Bureau



(43) International Publication Date
4 November 2004 (04.11.2004)

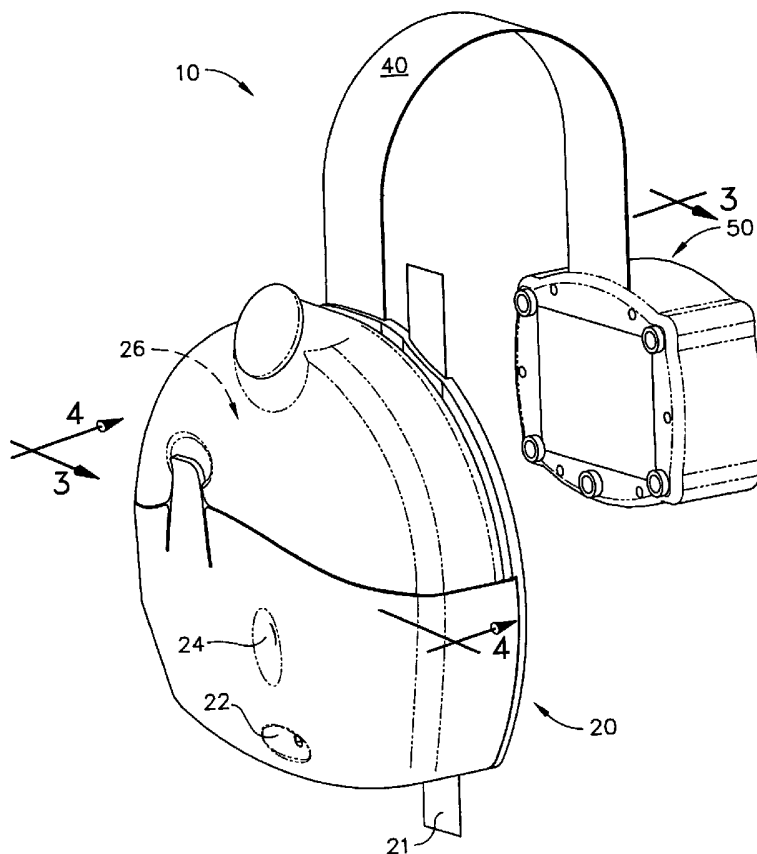
PCT

(10) International Publication Number
WO 2004/094580 A3

- (51) International Patent Classification⁷: C11D 3/50, 17/04
- (21) International Application Number: PCT/US2004/012007
- (22) International Filing Date: 19 April 2004 (19.04.2004)
- (25) Filing Language: English
- (26) Publication Language: English
- (30) Priority Data:
- | | | |
|------------|------------------------------|----|
| 10/418,595 | 17 April 2003 (17.04.2003) | US |
| 10/697,735 | 29 October 2003 (29.10.2003) | US |
| 10/697,736 | 29 October 2003 (29.10.2003) | US |
| 10/697,734 | 29 October 2003 (29.10.2003) | US |
| 10/697,685 | 29 October 2003 (29.10.2003) | US |
| 10/762,152 | 21 January 2004 (21.01.2004) | US |
- (71) Applicant (for all designated States except US): **THE PROCTER & GAMBLE COMPANY** [US/US]; One Procter & Gamble Plaza, Cincinnati, OH 45202 (US).
- (72) Inventors; and
- (75) Inventors/Applicants (for US only): **DUVAL, Dean, Larry** [US/US]; 365 Chadwick Court, Lebanon, OH 45036 (US). **ORR, Michael, Joseph** [US/US]; 7717 Whitehall West Circle, Cincinnati, OH 45069 (US). **TRUJILLO, Rafael** [MX/US]; 5682 Glen Brook Court, Mason, OH 45040 (US). **TROESTER, Angela, Renee** [US/US]; 6288 Edgewater Drive, Mason, OH 45040 (US).
- (74) Common Representative: **THE PROCTER & GAMBLE COMPANY**; 6110 Center Hill Road, Cincinnati, OH 45224 (US).
- (81) Designated States (unless otherwise indicated, for every kind of national protection available): AE, AG, AL, AM, AT, AU, AZ, BA, BB, BG, BR, BW, BY, BZ, CA, CH, CN, CO, CR, CU, CZ, DE, DK, DM, DZ, EC, EE, EG, ES, FI, GB, GD, GE, GH, GM, HR, HU, ID, IL, IN, IS, JP, KE, KG, KP, KR, KZ, LC, LK, LR, LS, LT, LU, LV, MA, MD, MG, MK, MN, MW, MX, MZ, NA, NI, NO, NZ, OM, PG,

[Continued on next page]

(54) Title: VOLATILE MATERIAL DELIVERY METHOD



(57) Abstract: The present invention relates to methods of delivering one or more volatile materials, during the operation of a drying apparatus, to a fabric article. The present invention also relates to fabric treatment compositions comprising one or more volatile materials. These compositions may be used to treat fabric articles during the fabric article drying process.

WO 2004/094580 A3



PH, PL, PT, RO, RU, SC, SD, SE, SG, SK, SL, SY, TJ, TM, TN, TR, TT, TZ, UA, UG, US, UZ, VC, VN, YU, ZA, ZM, ZW.

TR), OAPI (BF, BJ, CF, CG, CI, CM, GA, GN, GQ, GW, ML, MR, NE, SN, TD, TG).

Published:

— with international search report

(84) Designated States (*unless otherwise indicated, for every kind of regional protection available*): ARIPO (BW, GH, GM, KE, LS, MW, MZ, SD, SL, SZ, TZ, UG, ZM, ZW), Eurasian (AM, AZ, BY, KG, KZ, MD, RU, TJ, TM), European (AT, BE, BG, CH, CY, CZ, DE, DK, EE, ES, FI, FR, GB, GR, HU, IE, IT, LU, MC, NL, PL, PT, RO, SE, SI, SK,

(88) Date of publication of the international search report:

12 May 2005

For two-letter codes and other abbreviations, refer to the "Guidance Notes on Codes and Abbreviations" appearing at the beginning of each regular issue of the PCT Gazette.

INTERNATIONAL SEARCH REPORT

International Application No
PCT/US2004/012007

A. CLASSIFICATION OF SUBJECT MATTER
IPC 7 C11D3/50 C11D17/04

According to International Patent Classification (IPC) or to both national classification and IPC

B. FIELDS SEARCHED

Minimum documentation searched (classification system followed by classification symbols)
IPC 7 C11D

Documentation searched other than minimum documentation to the extent that such documents are included in the fields searched

Electronic data base consulted during the international search (name of data base and, where practical, search terms used)

EPO-Internal, WPI Data, PAJ

C. DOCUMENTS CONSIDERED TO BE RELEVANT

Category *	Citation of document, with indication, where appropriate, of the relevant passages	Relevant to claim No.
X	US 6 103 678 A (MASSCHELEIN AXEL ET AL) 15 August 2000 (2000-08-15) claims examples 1,3,4 Perfume ingredients 2, 4 and 5 column 35, line 34 - line 46 -----	1,2
X	US 4 511 495 A (MELVILLE JAMES B) 16 April 1985 (1985-04-16) examples claims column 3, line 26 - line 64 ----- -/--	1,2

Further documents are listed in the continuation of box C.

Patent family members are listed in annex.

* Special categories of cited documents :

"A" document defining the general state of the art which is not considered to be of particular relevance

"E" earlier document but published on or after the international filing date

"L" document which may throw doubts on priority claim(s) or which is cited to establish the publication date of another citation or other special reason (as specified)

"O" document referring to an oral disclosure, use, exhibition or other means

"P" document published prior to the international filing date but later than the priority date claimed

"T" later document published after the international filing date or priority date and not in conflict with the application but cited to understand the principle or theory underlying the invention

"X" document of particular relevance; the claimed invention cannot be considered novel or cannot be considered to involve an inventive step when the document is taken alone

"Y" document of particular relevance; the claimed invention cannot be considered to involve an inventive step when the document is combined with one or more other such documents, such combination being obvious to a person skilled in the art.

"&" document member of the same patent family

Date of the actual completion of the international search

22 September 2004

Date of mailing of the international search report

14 FEB 2005

Name and mailing address of the ISA

European Patent Office, P.B. 5818 Patentlaan 2
NL - 2280 HV Rijswijk
Tel. (+31-70) 340-2040, Tx. 31 651 epo nl,
Fax: (+31-70) 340-3016

Authorized officer

Neys, P

INTERNATIONAL SEARCH REPORT

International Application No
PCT/US2004/012007

C.(Continuation) DOCUMENTS CONSIDERED TO BE RELEVANT		
Category °	Citation of document, with indication, where appropriate, of the relevant passages	Relevant to claim No.
X	<p>US 5 445 747 A (HOLLINGSHEAD JUDITH A ET AL) 29 August 1995 (1995-08-29) Perfumes B and G examples column 21, line 45 - line 63 abstract</p> <p style="text-align: center;">-----</p>	1,2
X	<p>WO 00/55292 A (IRETON KIMBERLY ANN ; REECE STEVEN (US); FRITZ MARK DAVID (US); PROCTE) 21 September 2000 (2000-09-21) examples III,IV,V</p> <p style="text-align: center;">-----</p>	1

INTERNATIONAL SEARCH REPORT

International application No.
PCT/US2004/012007

Box II Observations where certain claims were found unsearchable (Continuation of item 2 of first sheet)

This International Search Report has not been established in respect of certain claims under Article 17(2)(a) for the following reasons:

1. Claims Nos.:
because they relate to subject matter not required to be searched by this Authority, namely:

2. Claims Nos.:
because they relate to parts of the International Application that do not comply with the prescribed requirements to such an extent that no meaningful International Search can be carried out, specifically:

3. Claims Nos.:
because they are dependent claims and are not drafted in accordance with the second and third sentences of Rule 6.4(a).

Box III Observations where unity of invention is lacking (Continuation of item 3 of first sheet)

This International Searching Authority found multiple inventions in this international application, as follows:

see additional sheet

1. As all required additional search fees were timely paid by the applicant, this International Search Report covers all searchable claims.
2. As all searchable claims could be searched without effort justifying an additional fee, this Authority did not invite payment of any additional fee.
3. As only some of the required additional search fees were timely paid by the applicant, this International Search Report covers only those claims for which fees were paid, specifically claims Nos.:
4. No required additional search fees were timely paid by the applicant. Consequently, this International Search Report is restricted to the invention first mentioned in the claims; it is covered by claims Nos.:

1,2

Remark on Protest

- The additional search fees were accompanied by the applicant's protest.
- No protest accompanied the payment of additional search fees.

FURTHER INFORMATION CONTINUED FROM PCT/ISA/ 210

This International Searching Authority found multiple (groups of) inventions in this international application, as follows:

1. claims: 1,2

A composition comprising a) at least 0.005 wt% of a perfume, said perfume comprising, based on total perfume weight, at least 30 wt% of a perfume material having a boiling point of less than or equal to 250 °C at 1atm.; and b) a treatment material.

2. claims: 3-10

A method of applying a fabric treatment composition to a fabric article comprising the following steps: a) monitoring an operating temperature or a time of a drying apparatus during a drying cycle of said apparatus; and b) applying a fabric treatment composition comprising a perfume and a treatment material; wherein said application occurs after said drying apparatus has reached a first control operating temperature or occurs during a final portion of said operation cycle.

INTERNATIONAL SEARCH REPORT

Information on patent family members

International Application No
PCT/US2004/012007

Patent document cited in search report		Publication date	Patent family member(s)	Publication date
US 6103678	A	15-08-2000	BR 9712897 A	21-03-2000
			CA 2270835 A1	14-05-1998
			EP 0841391 A1	13-05-1998
			JP 2001503803 T	21-03-2001
			WO 9820102 A1	14-05-1998

US 4511495	A	16-04-1985	AT 10507 T	15-12-1984
			AU 554020 B2	07-08-1986
			AU 7058481 A	19-11-1981
			CA 1165693 A1	17-04-1984
			DE 3167412 D1	10-01-1985
			EP 0041328 A1	09-12-1981
			JP 1509975 C	26-07-1989
			JP 57016972 A	28-01-1982
			JP 63052150 B	18-10-1988
			ZA 8103215 A	29-12-1982

US 5445747	A	29-08-1995	NONE	

WO 0055292	A	21-09-2000	AU 3758100 A	04-10-2000
			CA 2364591 A1	21-09-2000
			EP 1161517 A1	12-12-2001
			TW 418094 B	11-01-2001
			WO 0055292 A1	21-09-2000
			US 6696395 B1	24-02-2004
			ZA 200107410 A	12-03-2002
