



US00D367478S

# United States Patent [19]

[11] Patent Number: **Des. 367,478**

Hara et al.

[45] Date of Patent: **\*\*Feb. 27, 1996**

## [54] TELEVISION RECEIVER

## FOREIGN PATENT DOCUMENTS

[75] Inventors: **Masayuki Hara**, Shiga; **Tadashi Sumino**, Kyoto, both of Japan

739170 7/1988 Japan .  
844759 8/1992 Japan .  
903738 7/1994 Japan .

[73] Assignee: **Matsushita Electric Industrial Co., Ltd.**, Osaka, Japan

*Primary Examiner*—Prabhakar G. Deshmukh  
*Assistant Examiner*—Richelle Shelton  
*Attorney, Agent, or Firm*—Sughrue, Mion, Zinn, Macpeak & Seas

[\*\*] Term: **14 Years**

[21] Appl. No.: **38,655**

## [57] CLAIM

[22] Filed: **May 11, 1995**

The ornamental design for a television receiver, as shown.

## [30] Foreign Application Priority Data

## DESCRIPTION

Nov. 16, 1994 [JP] Japan ..... 6-35007

[52] U.S. Cl. .... **D14/126**

[58] Field of Search ..... D14/113, 124-134;  
312/7.2; 348/825, 836, 838, 790-794

FIG. 1 is a perspective view of the top, front and right side of a television receiver showing our new design; FIG. 2 is a front elevational view thereof; FIG. 3 is a top plan view thereof; FIG. 4 is a right side elevational view thereof; FIG. 5 is a left side elevational view thereof; FIG. 6 is a rear elevational view thereof; and, FIG. 7 is a bottom plan view thereof.

## [56] References Cited

### U.S. PATENT DOCUMENTS

D. 342,508 12/1993 Naito et al. .... D14/129  
D. 350,954 9/1994 Park ..... D14/126

**1 Claim, 4 Drawing Sheets**

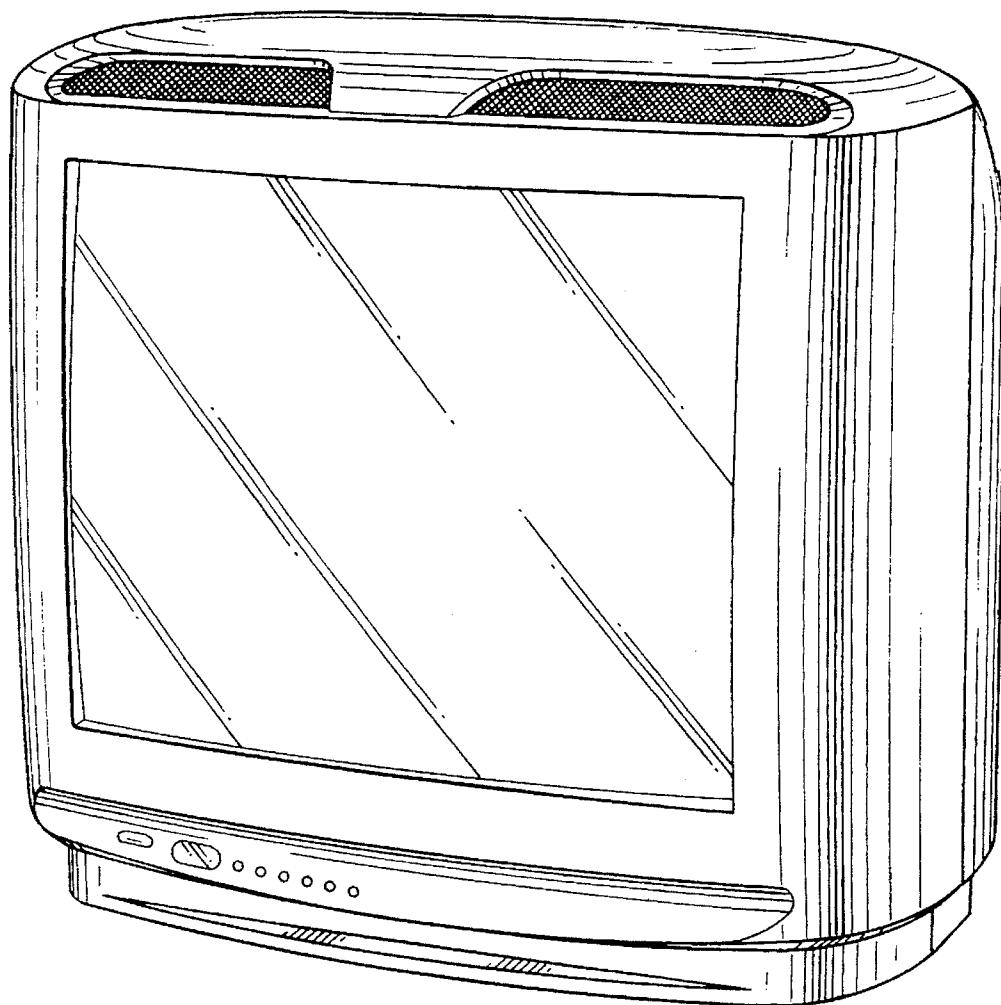


FIG. 1

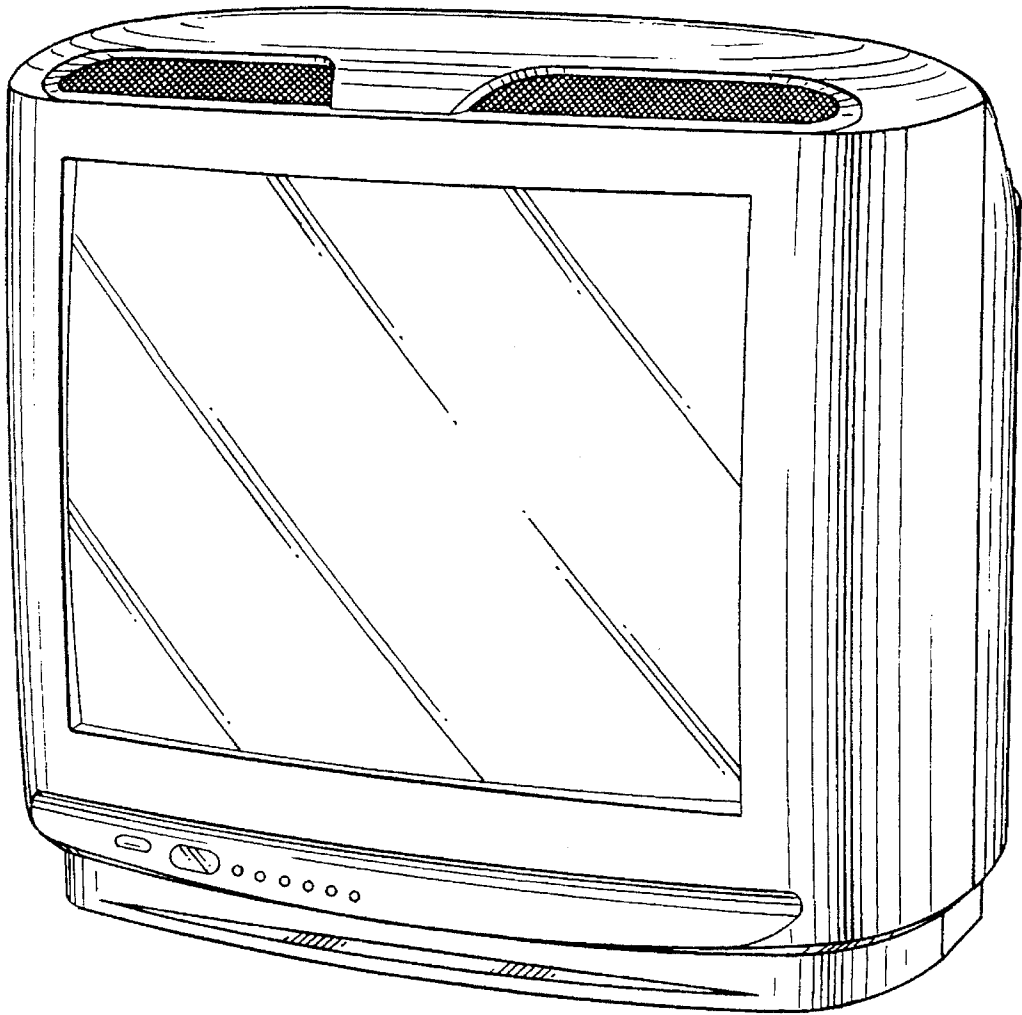


FIG. 2

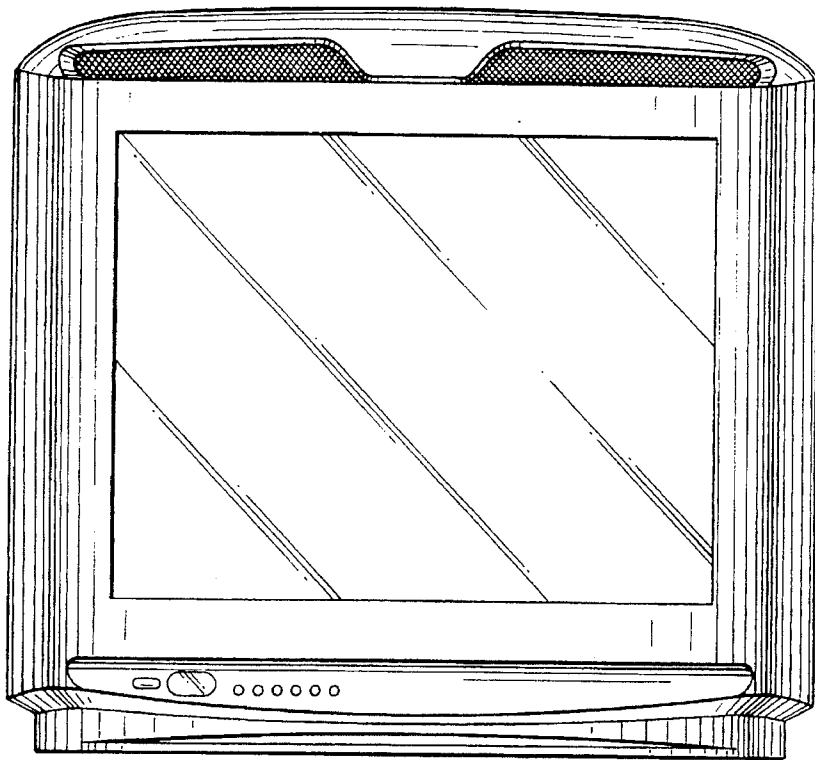


FIG. 3

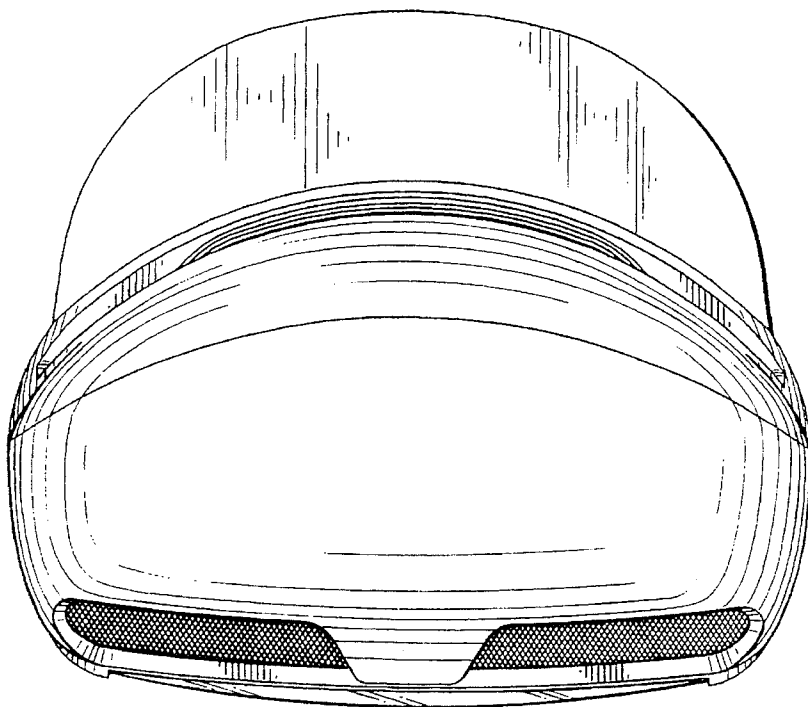


FIG. 4

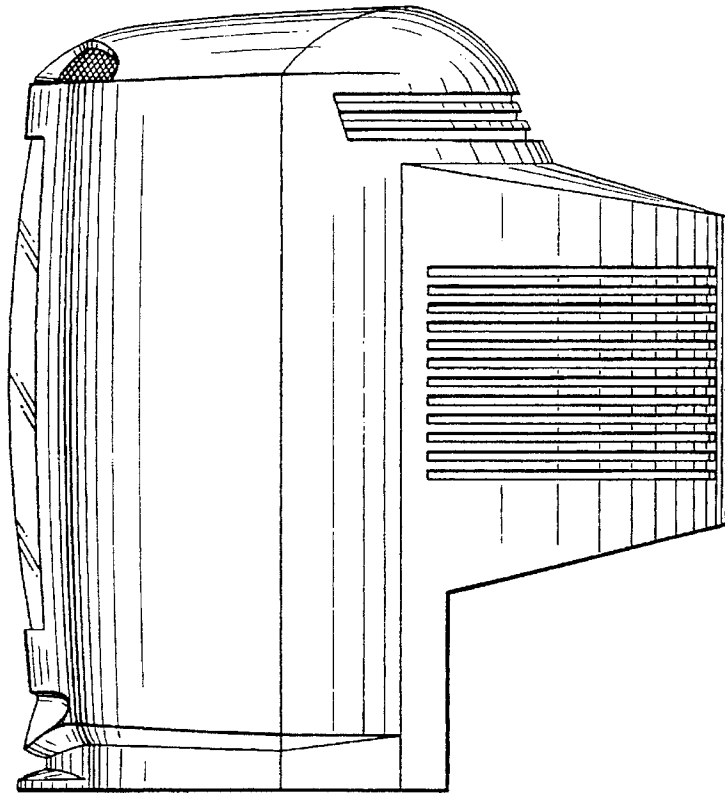


FIG. 5

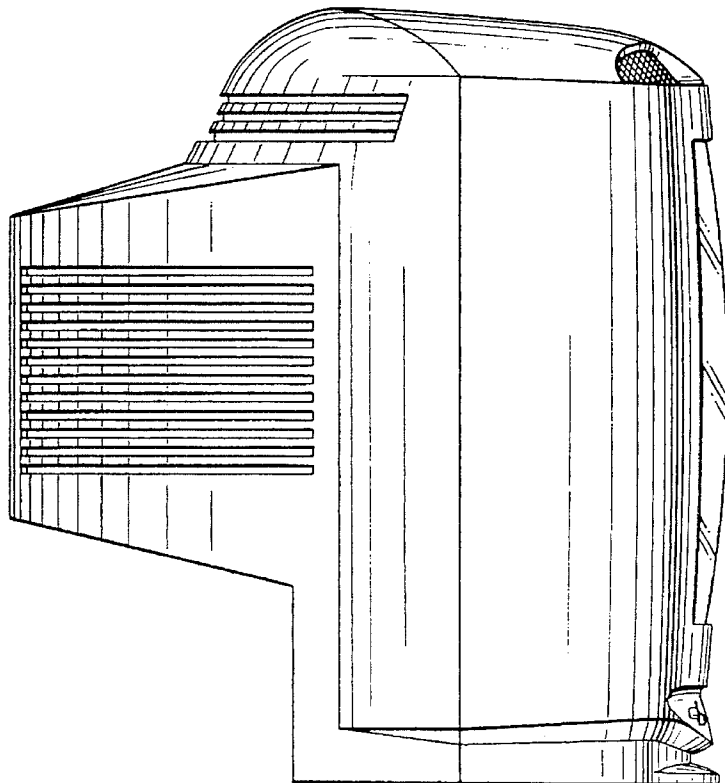


FIG. 6

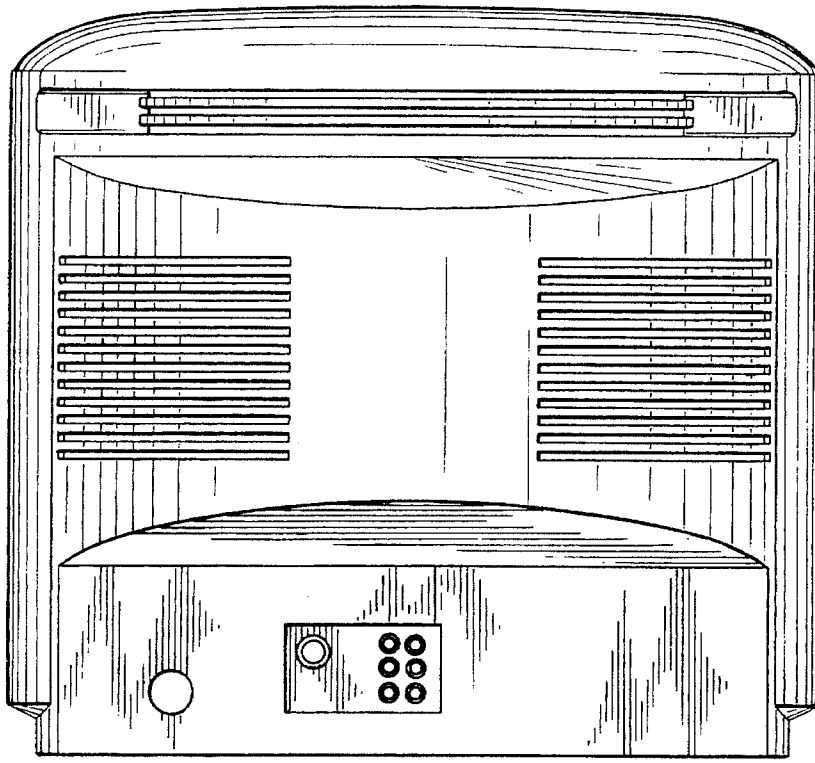


FIG. 7

