



US0D1007293S

(12) **United States Design Patent**  
**Schweiss et al.**

(10) **Patent No.:** **US D1,007,293 S**

(45) **Date of Patent:** **\*\* Dec. 12, 2023**

(54) **CARTON**

(71) Applicant: **REYNOLDS CONSUMER PRODUCTS LLC**, Lake Forest, IL (US)

(72) Inventors: **Thomas Joseph Schweiss**, Ingleside, IL (US); **Brandon James Burke**, Neenah, WI (US)

(73) Assignee: **REYNOLDS CONSUMER PRODUCTS LLC**, Lake Forest, IL (US)

(\*\*) Term: **15 Years**

(21) Appl. No.: **29/805,410**

(22) Filed: **Aug. 26, 2021**

(51) **LOC (14) Cl.** ..... **09-03**

(52) **U.S. Cl.**  
USPC ..... **D9/414**

(58) **Field of Classification Search**  
USPC ..... D9/414-420, 421, 423, 438, 709, 432; D99/1  
CPC ..... B65H 55/046; B65D 83/0481  
See application file for complete search history.

(56) **References Cited**

**U.S. PATENT DOCUMENTS**

D198,873 S *	8/1964	Kirkwood et al. ....	D9/423
D202,446 S *	9/1965	Braun .....	D9/423
D250,632 S *	12/1978	Takai .....	D9/423
D497,804 S *	11/2004	Hetzel .....	D9/418
D541,145 S *	4/2007	Copp .....	B65H 55/046 D9/415
D622,140 S *	8/2010	Elhalwani .....	D9/421
D717,646 S *	11/2014	Plourde .....	D9/709
D816,489 S *	5/2018	Kato .....	D9/438
D820,081 S *	6/2018	Wangtaveesab .....	D9/420

D861,477 S *	10/2019	Smith .....	D9/420
D873,129 S *	1/2020	Huang .....	D9/420
D893,291 S *	8/2020	Piscopo .....	D9/414
D895,419 S *	9/2020	Huang .....	D9/420
D946,858 S *	3/2022	Bartells .....	D99/1
2023/0064890 A1 *	3/2023	Schweiss .....	B65D 83/0841

\* cited by examiner

*Primary Examiner* — Rhea Shields

(74) *Attorney, Agent, or Firm* — Baker Botts L.L.P.

(57) **CLAIM**

The ornamental design for a carton, as shown and described.

**DESCRIPTION**

FIG. 1 is a front perspective view of the carton, with the access flap in an open configuration, according to our new design;

FIG. 2 is a front view thereof;

FIG. 3 is a back view thereof;

FIG. 4 is a left side view thereof;

FIG. 5 is a right side view thereof;

FIG. 6 is a top view thereof; and

FIG. 7 is a bottom view thereof.

FIG. 8 is a front perspective view of the carton, with the access flap in a closed configuration, according to our new design;

FIG. 9 is a front view thereof;

FIG. 10 is a back view thereof;

FIG. 11 is a left side view thereof;

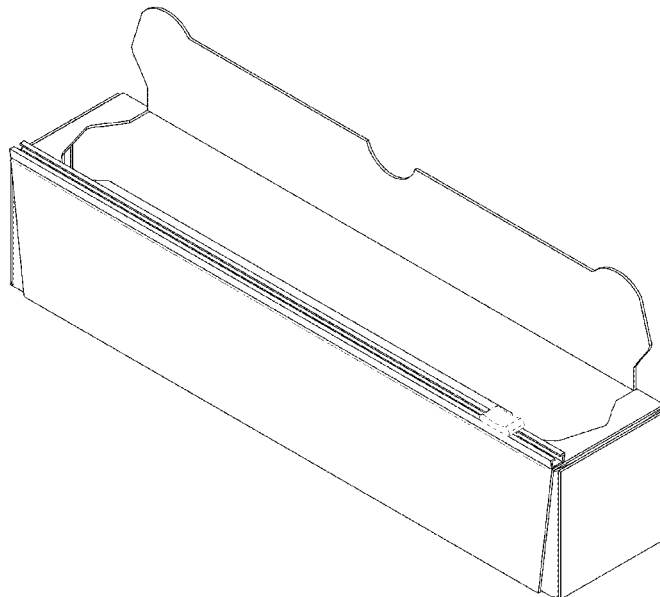
FIG. 12 is a right side view thereof;

FIG. 13 is a top view thereof; and,

FIG. 14 is a bottom view thereof.

In the drawings, the broken lines are for the purpose of illustrating portions of the carton that forms no part of the claimed design.

**1 Claim, 12 Drawing Sheets**



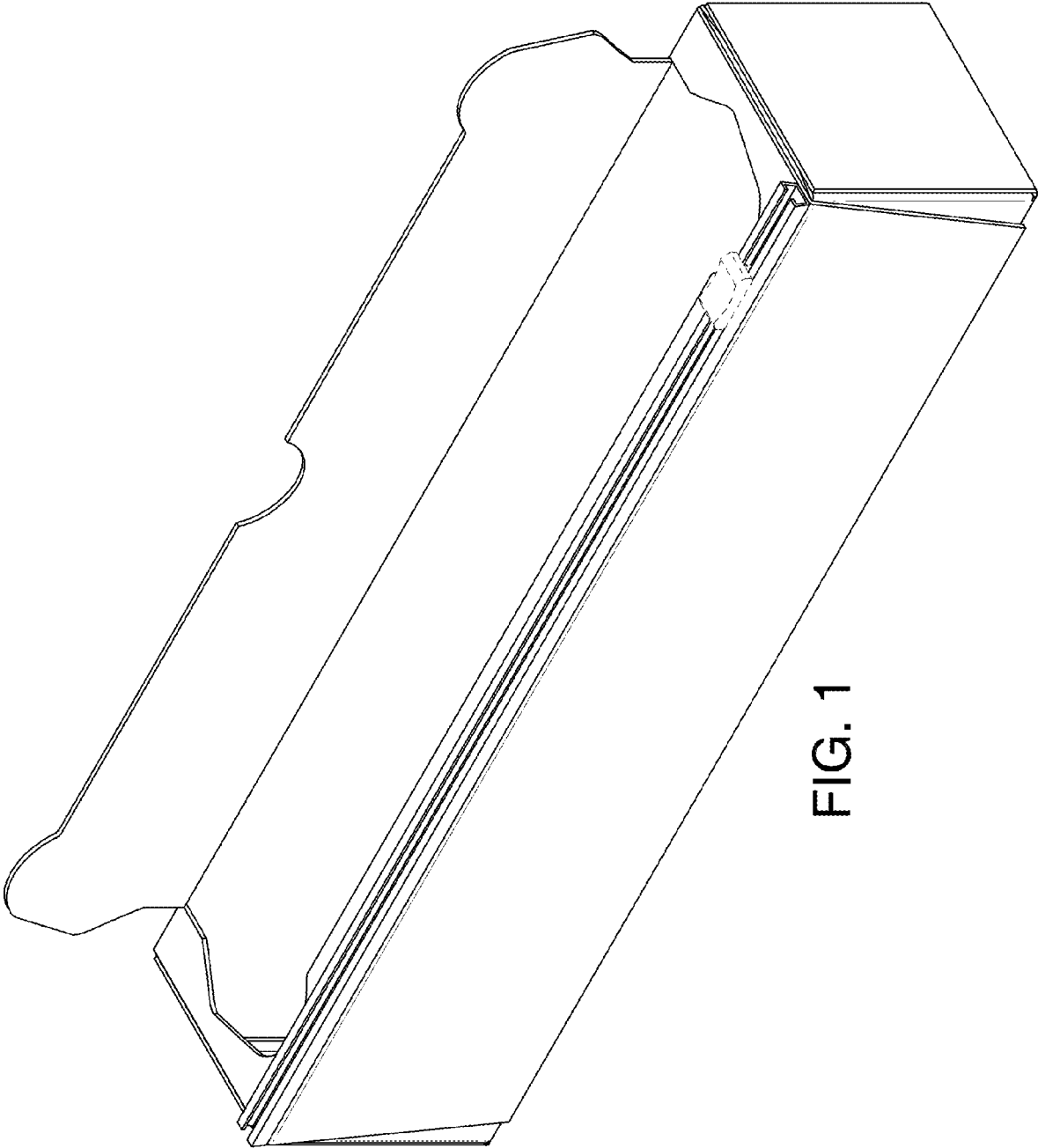


FIG. 1

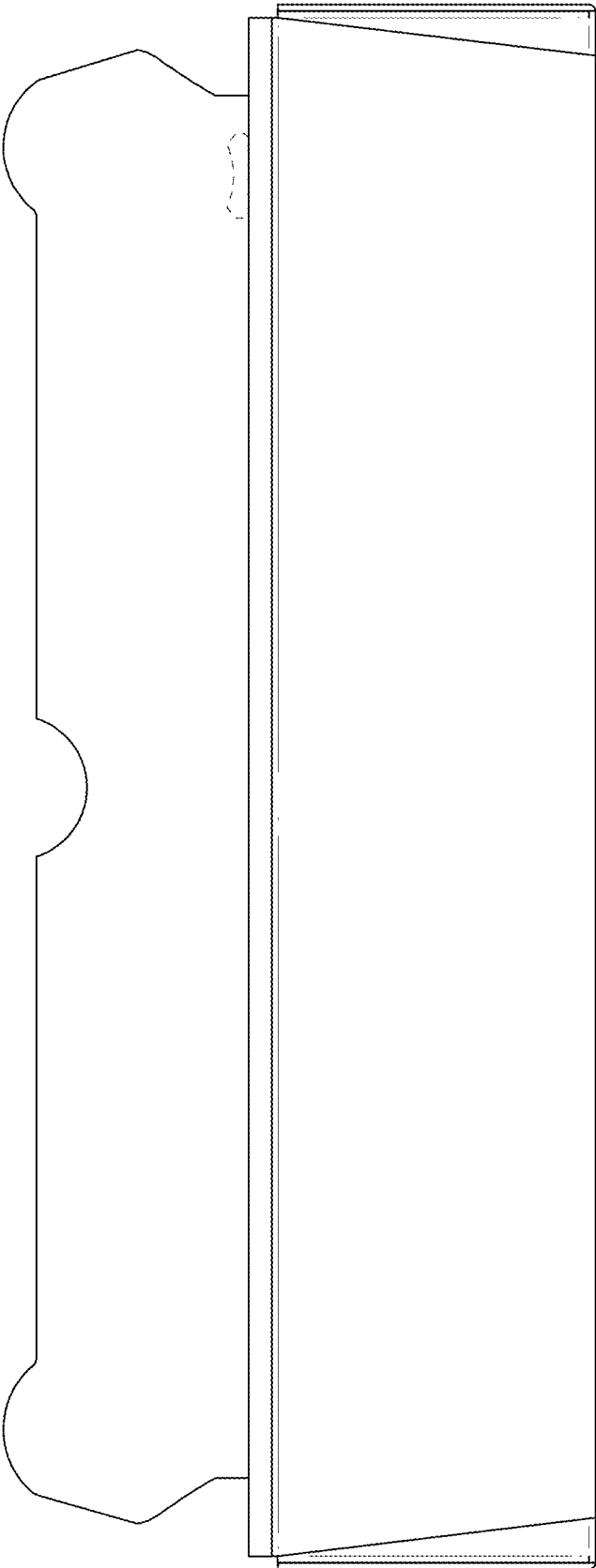


FIG. 2

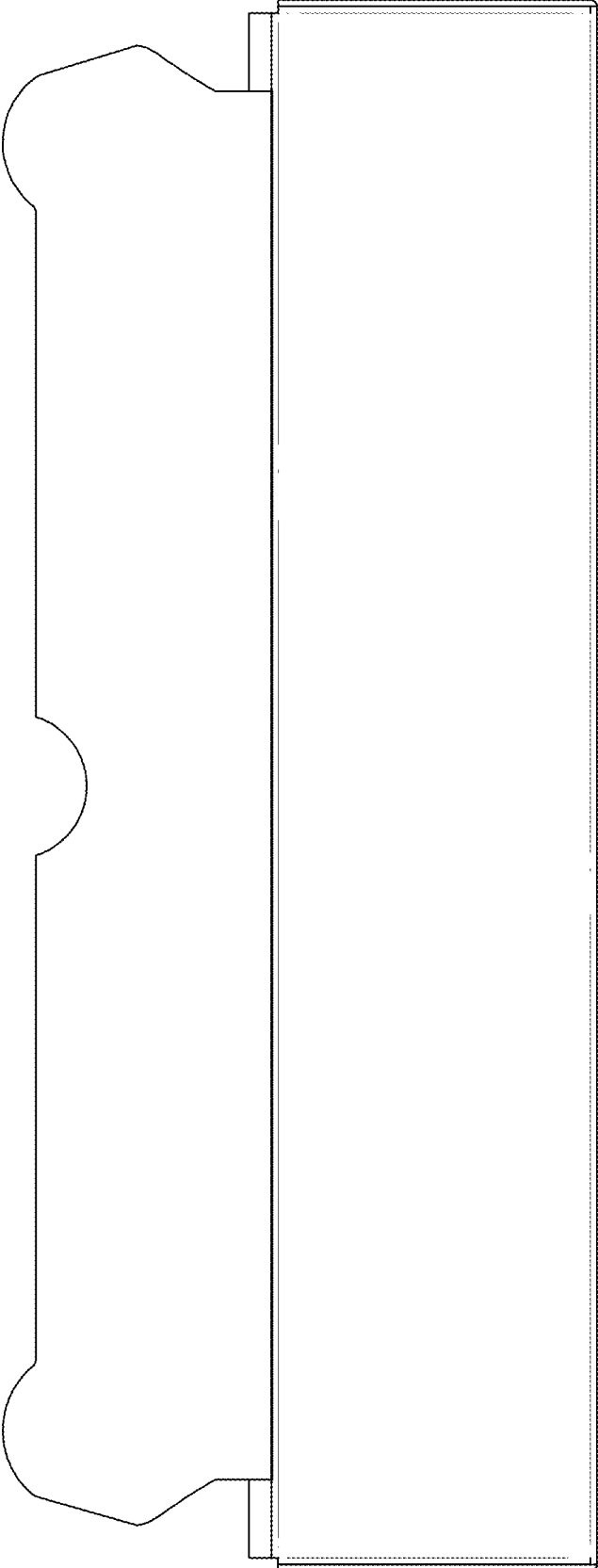


FIG. 3

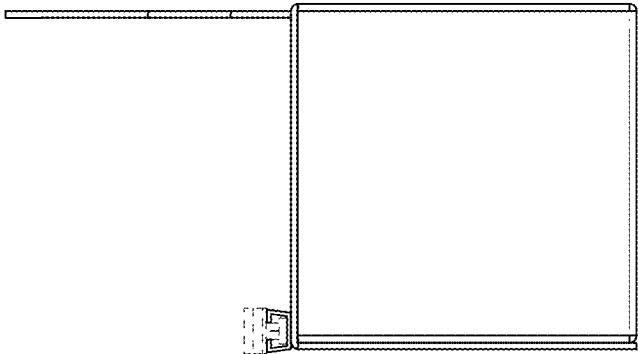


FIG. 5

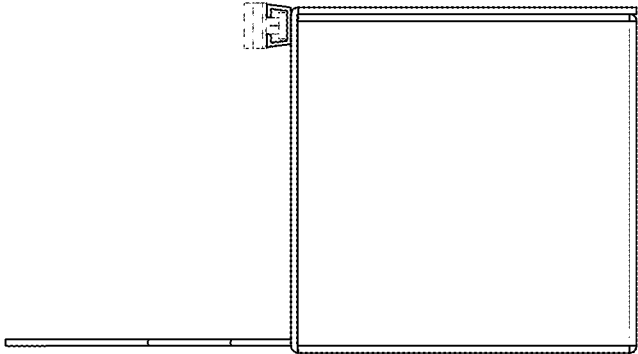


FIG. 4

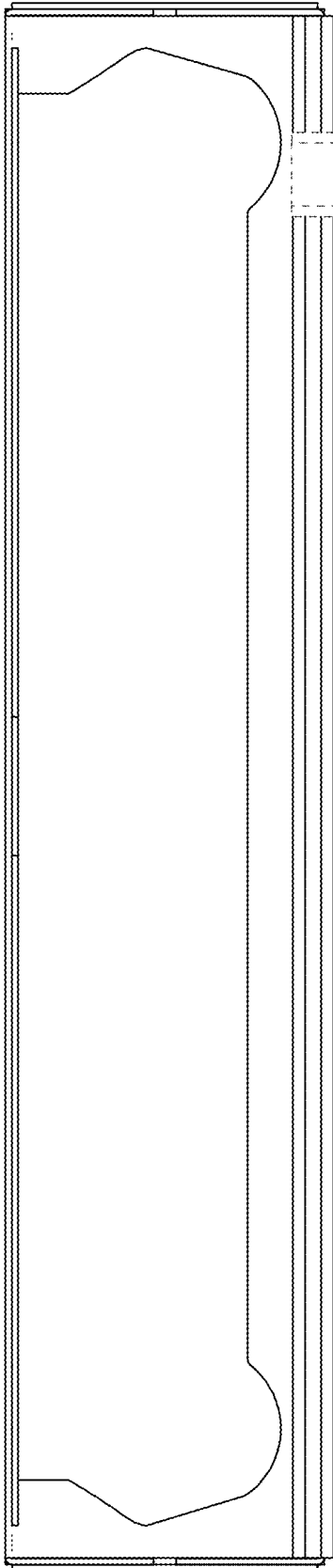


FIG. 6

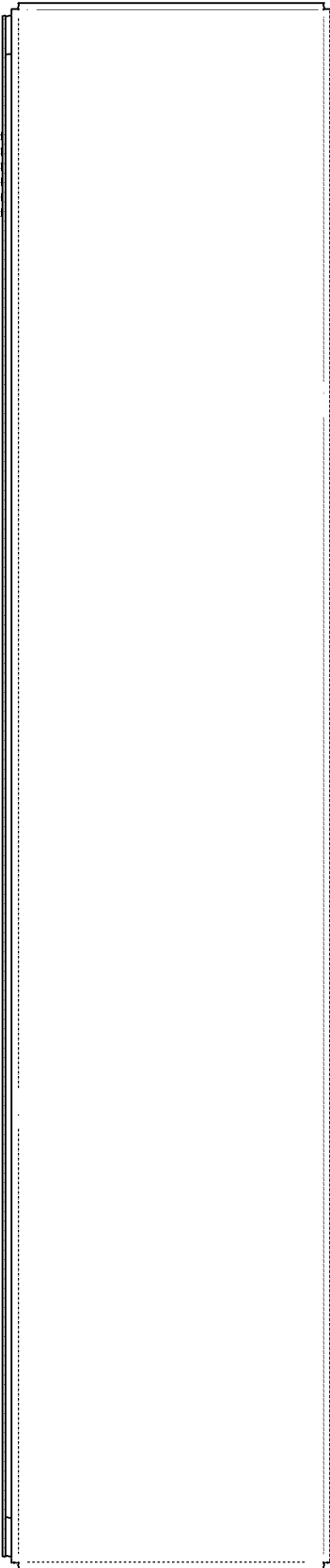


FIG. 7

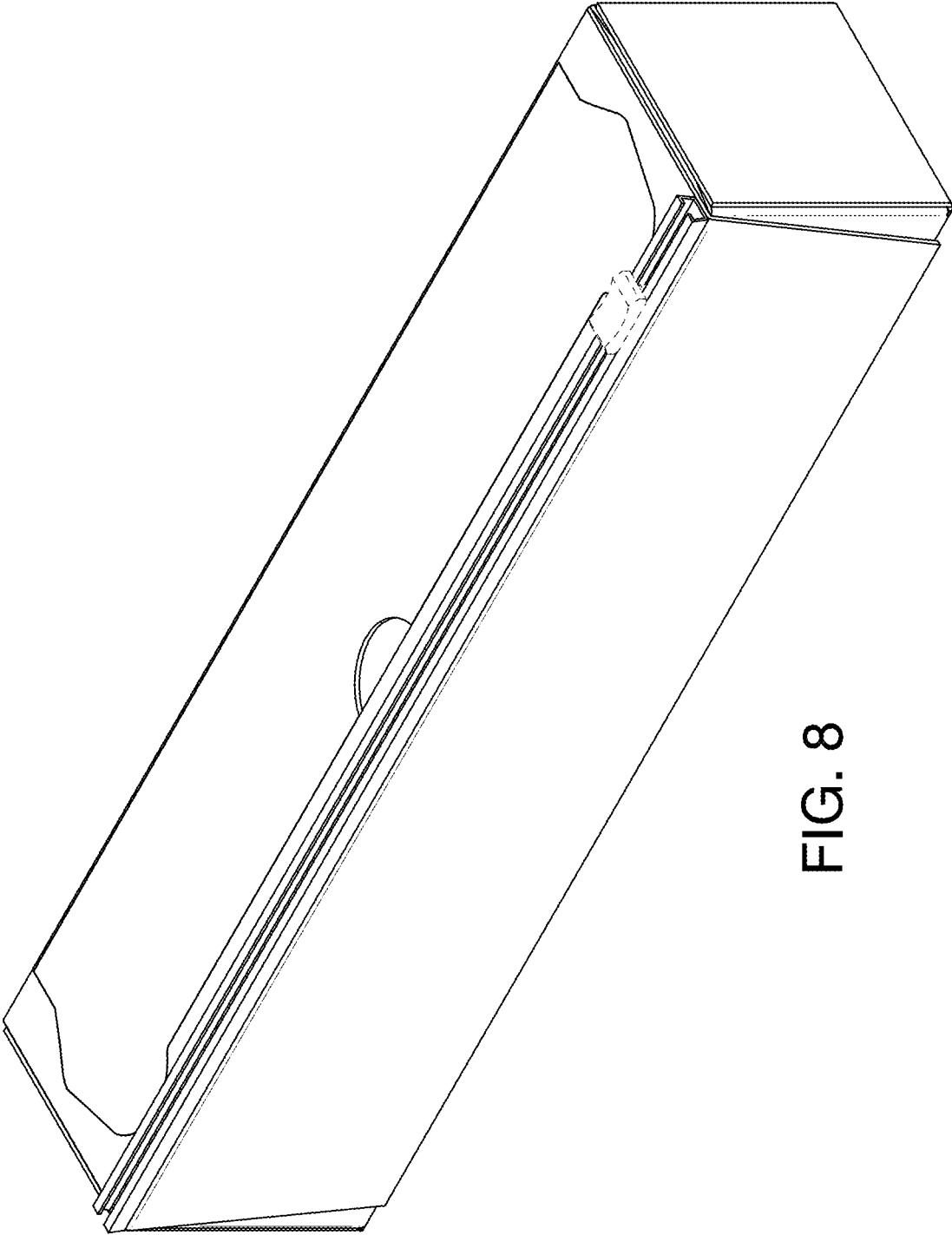


FIG. 8

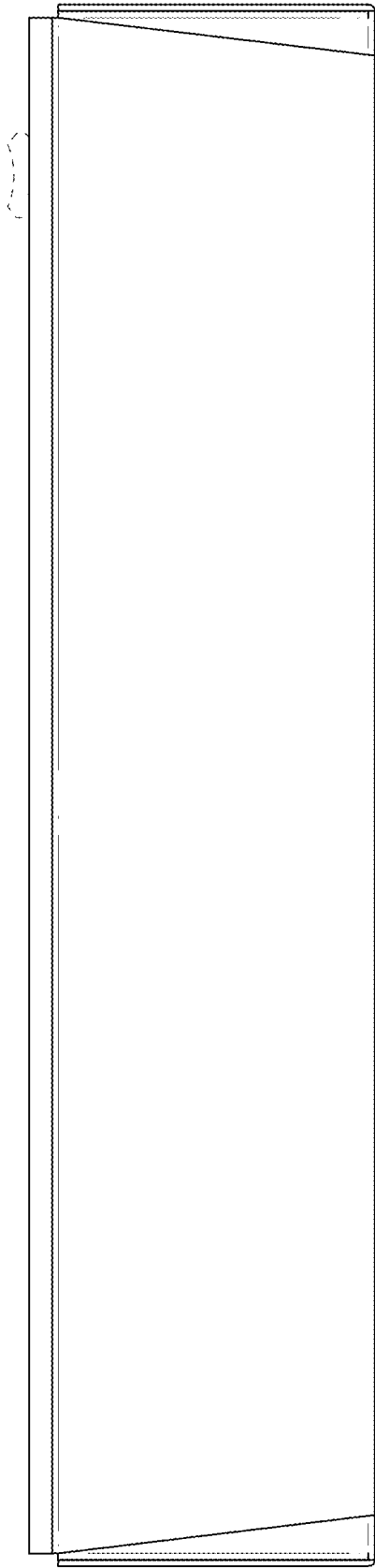


FIG. 9

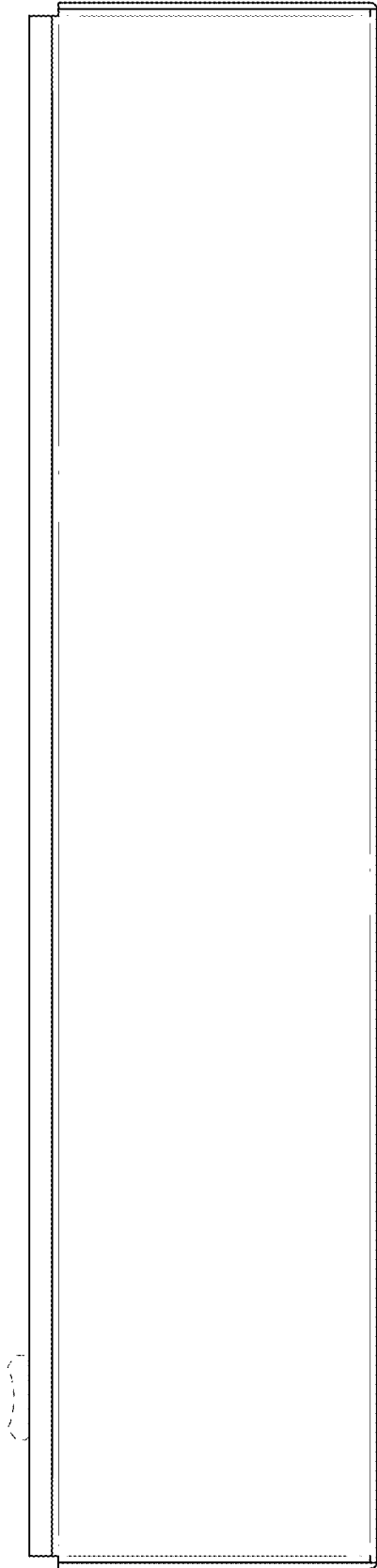


FIG. 10

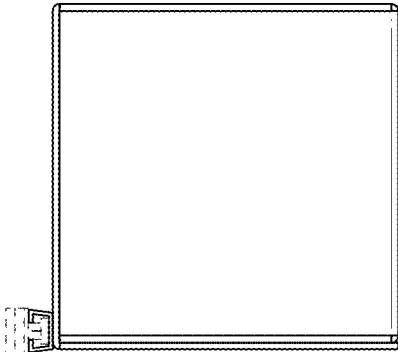


FIG. 12

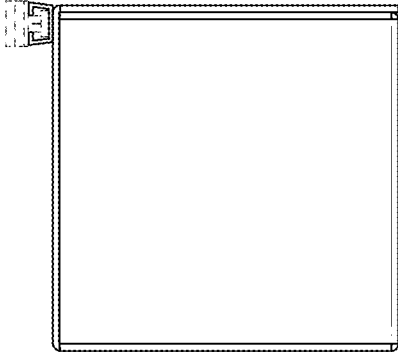


FIG. 11

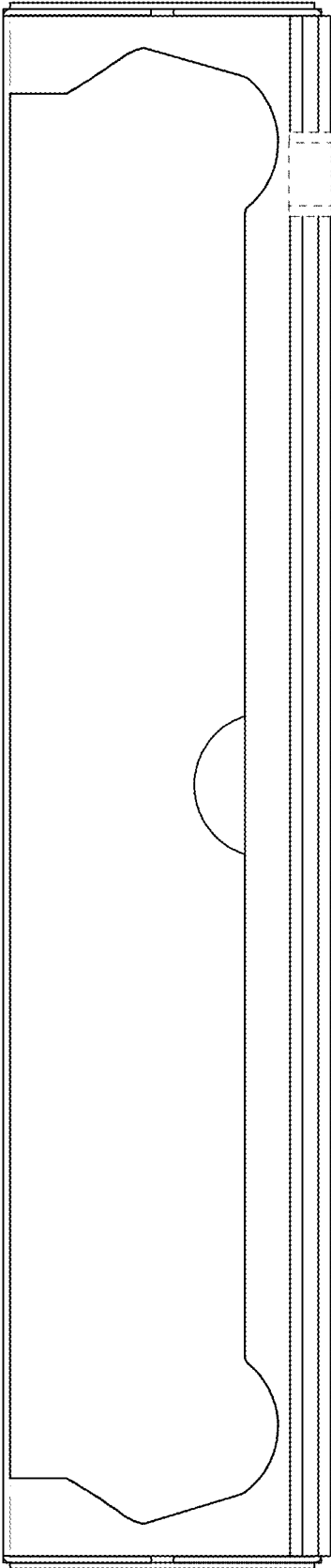


FIG. 13

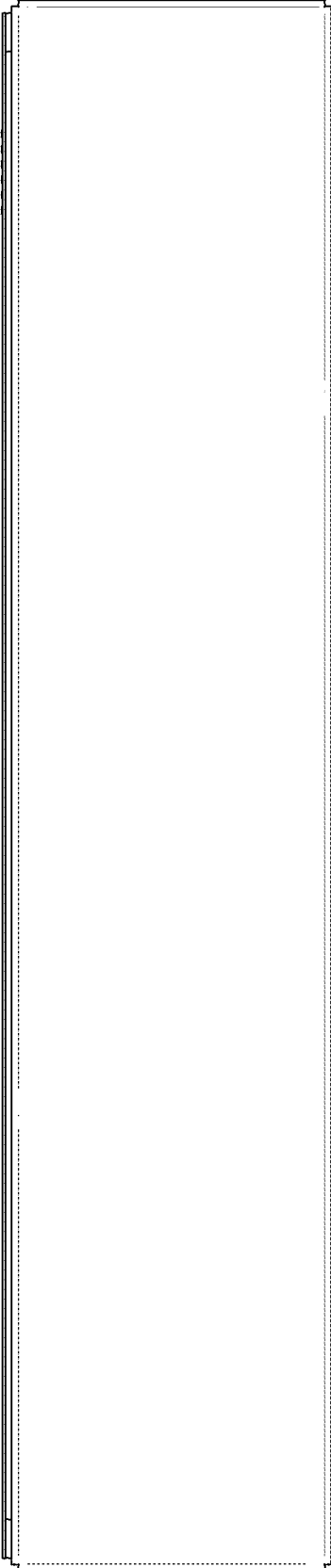


FIG. 14